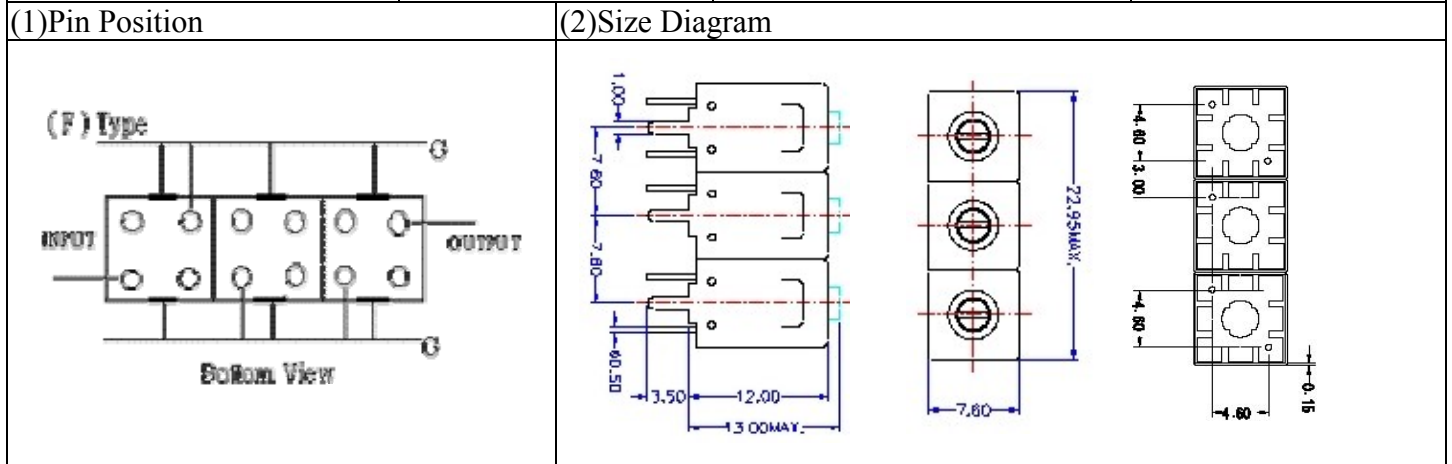


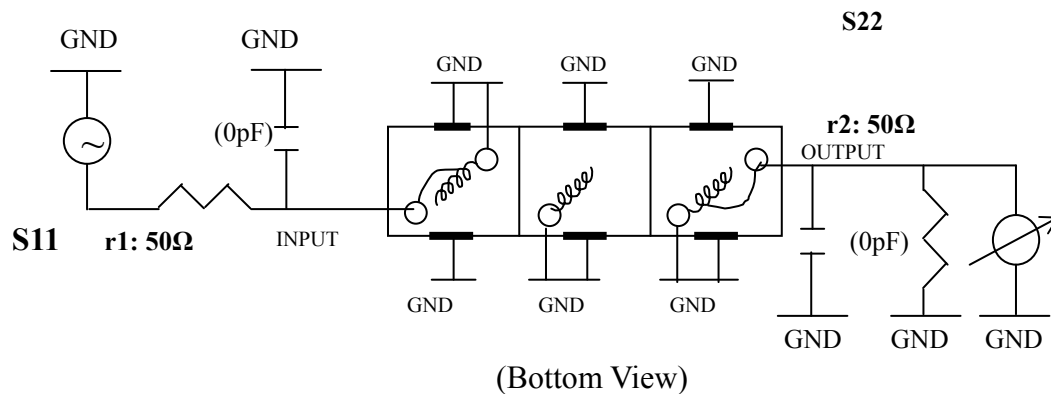
# VHF UHF Helical Filter Specification Sheet

Customer Name		Temwell's Part No.	TT63232F-480M
Approval No. /dated	0803027APR	Temwell's print name	63232F 480M
Work Instruction No.	0803027CD	Date	Mar.13.2008



(3) Electric Characteristic			
Item	Specify	Performance	
Center Freq.(Fo ) +/- 0.5 %	480 MHz	480 MHz	
Tunable Range:	480±5 MHz	480±5 MHz	
Insertion Loss	Typ. 3.0 dB	2.11 dB	
-3 dB Bandwidth	Typ. 12 MHz	16.3 MHz	
Sensitivity (Attenuation )	Fo - 30 MHz	Typ. 35 dBc	38 dBc
	Fo + 30 MHz	Typ. 26 dBc	29 dBc
	Fo - ( )MHz	Typ. dBc	dBc
	Fo +( )MHz	Typ. dBc	dBc
Return Loss	Min. 12 dB	24.0 dB	
Ripple	< 1 dB	dB	
Impedance	In / Out : 50 Ω	In / Out : 50 Ω	
(4) Torque for Tuning Screw			
		> 100gf · cm	
(5) Temperature Condition:			
Operating Temperature		-0°C ~ +60°C	
Storage Temperature		-20°C ~ +70°C	
(6) Input Power			
		> 1Watt	

(7) Measuring Circuit: ※Easy to match Impedance S11/S22 50Ω by parallel with about(0pF) / (0pF).



Approval	Supervisor	Designer	Aperture size
C.Y.Chang	C.S.Chang	Y.H.Yeh	7H3(4*4.5F)(5.0B) 7H046LB5

TEMWELL CORPORATION

# Performance-TT63232F-480M

## 0803027CD

CH1 S11

LOG MAG

REF 0.000 dB

5.000 dB/

CH2 S21

LOG MAG

REF 0.000 dB

10.000 dB/

MKR 1: 480MHz

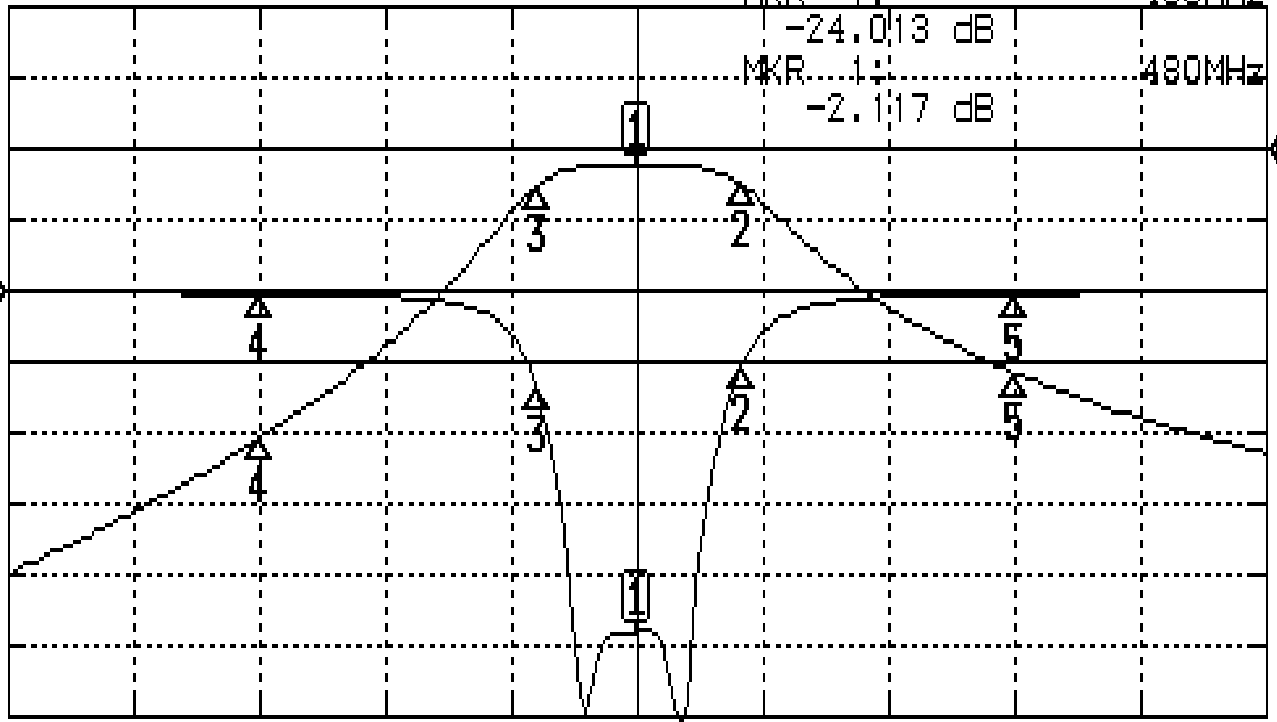
-24.013 dB

MKR 1: 480MHz

-2.117 dB

C2

C2



CENTER 480MHz

[ 10.00 dBm ]

SPAN 100MHz

### CH1 MARKER LIST

1:	480.000MHz	-24.013	dB
2:	488.416MHz	-5.246	dB
3:	472.050MHz	-6.834	dB
4:	450.000MHz	-0.188	dB
5:	510.000MHz	-0.190	dB

### CH2 MARKER LIST

1:	480.000MHz	-2.116	dB
2:	488.416MHz	-5.168	dB
3:	472.050MHz	-5.137	dB
4:	450.000MHz	-40.781	dB
5:	510.000MHz	-31.492	dB