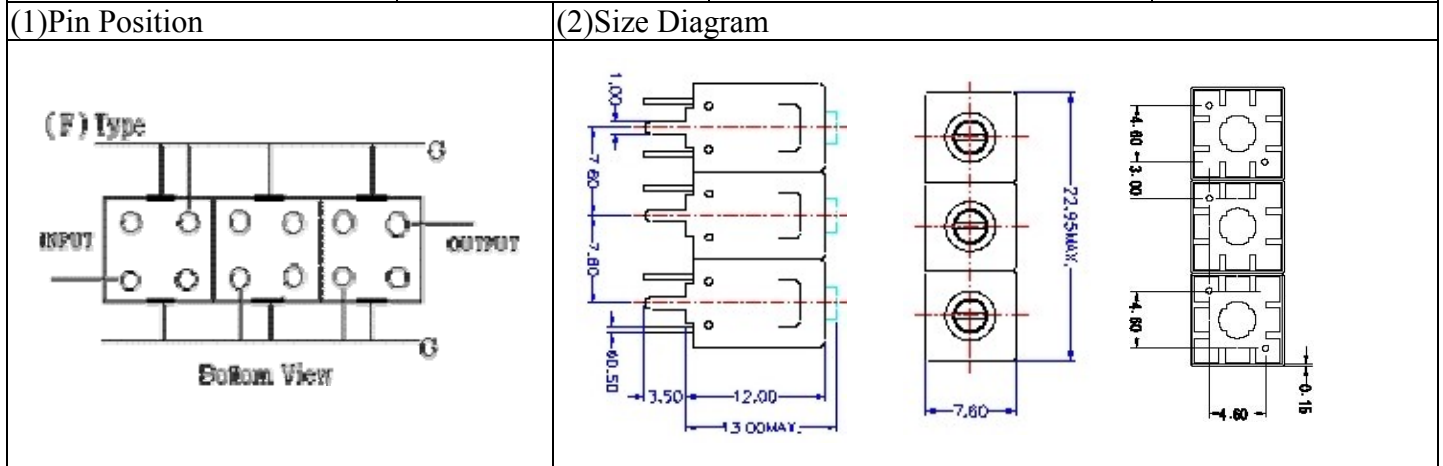


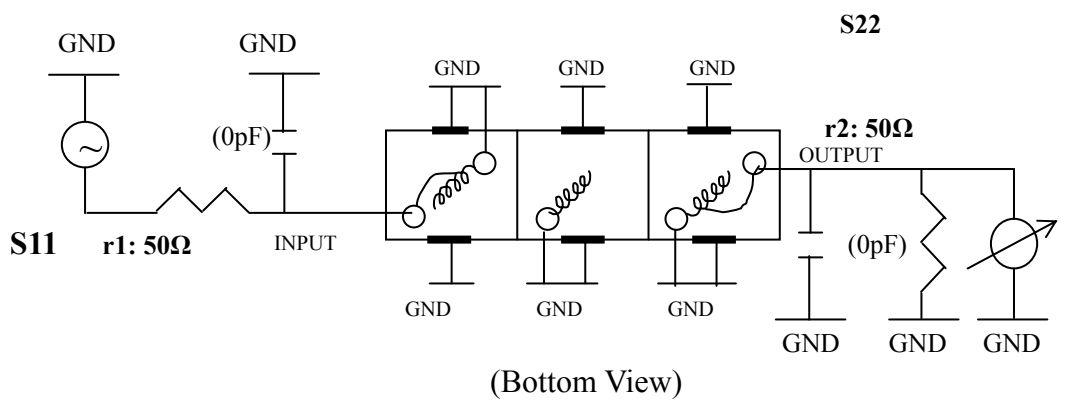
VHF UHF Helical Filter Specification Sheet

Customer Name		Temwell's Part No.	TT63233F-520M
Approval No. /dated	0803051CD	Acceptable Specify Fo Range	516~555MHz
Work Instruction No.	0803051CD	Date	Mar.27.2008



(3) Electric Characteristic			
Item	Specify	Performance	
Center Freq.(Fo) +/- 0.5 %	520 MHz	520 MHz	
Tunable Range:	520±5 MHz	520±5 MHz	
Insertion Loss	Typ. 3.0 dB	2.24 dB	
-3 dB Bandwidth	Typ. 15 MHz	18.3 MHz	
Sensitivity (Attenuation)	Fo - 40 MHz	Typ. 41 dBc	44 dBc
	Fo + 40 MHz	Typ. 29 dBc	32 dBc
	Fo - ()MHz	Typ. dBc	dBc
	Fo +()MHz	Typ. dBc	dBc
Return Loss	Min. 12 dB	40.9 dB	
Ripple	< 1 dB	dB	
Impedance	In / Out : 50 Ω	In / Out : 50 Ω	
(4) Torque for Tuning Screw			
> 100gf • cm			
(5) Temperature Condition:			
Operating Temperature		0°C ~ +60°C	
Storage Temperature		-20°C ~ +70°C	
(6) Input Power			
> 1Watt			

(7) Measuring Circuit: ※Easy to match Impedance S11/S22 50Ω by parallel with about(0pF) / (0pF).



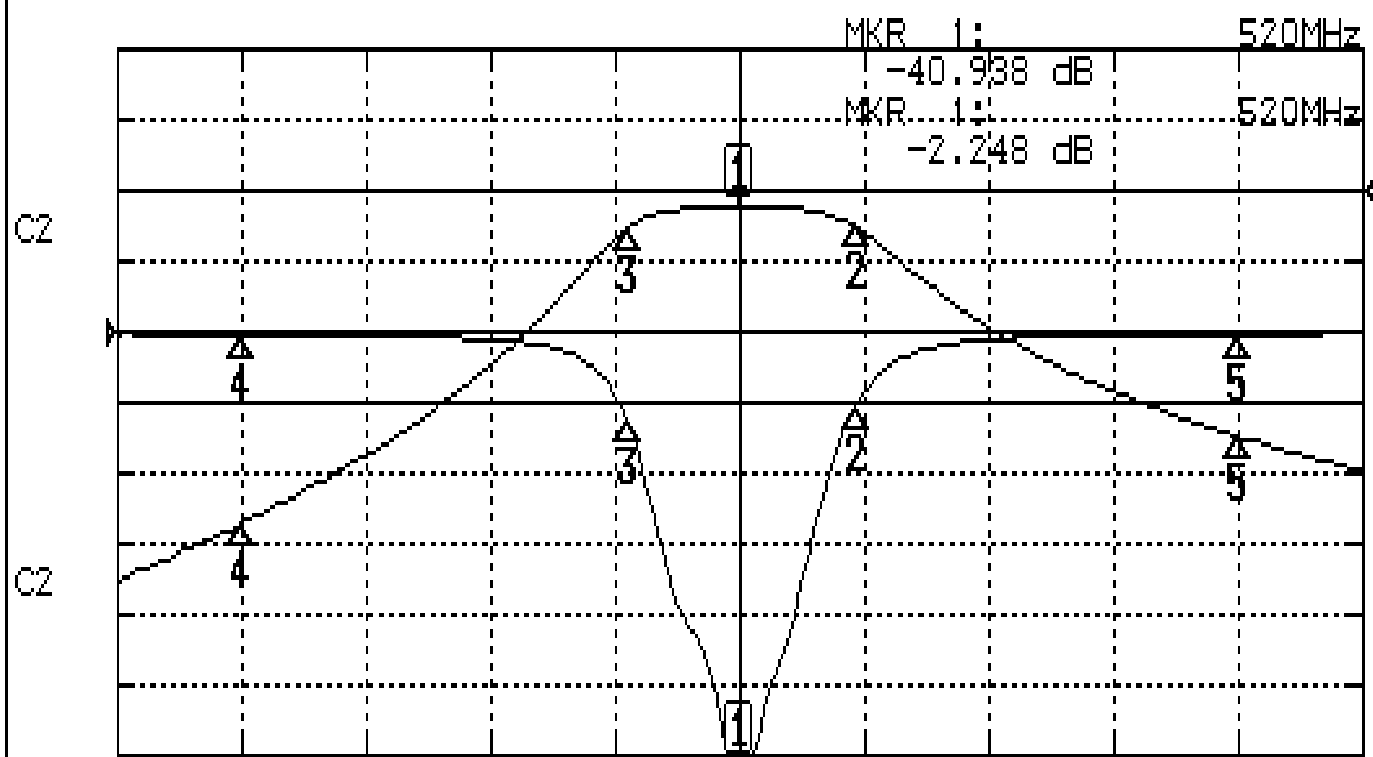
Approval C.Y.Chang	Supervisor C.S.Chang	Designer P.H.Chiang	Aperture size 7H3(4*4.65)F 7H046LB5.5 / 7H046LB4 聚 3
-----------------------	-------------------------	------------------------	--

TEMWELL CORPORATION

Performance-TT63233F-520M

0803051CD

CH1 S11 LOG MAG REF 0.000 dB 5.000 dB/
CH2 S21 LOG MAG REF 0.000 dB 10.000 dB/



CENTER 520MHz

[10.00 dBm]

SPAN 100MHz

CH1 MARKER LIST

Marker	Frequency (MHz)	Amplitude (dB)
1	520.000	-40.879
2	529.333	-5.284
3	511.083	-6.426
4	480.000	-0.180
5	560.000	-0.171

CH2 MARKER LIST

Marker	Frequency (MHz)	Amplitude (dB)
1	520.000	-2.248
2	529.333	-5.254
3	511.083	-5.277
4	480.000	-47.029
5	560.000	-34.753