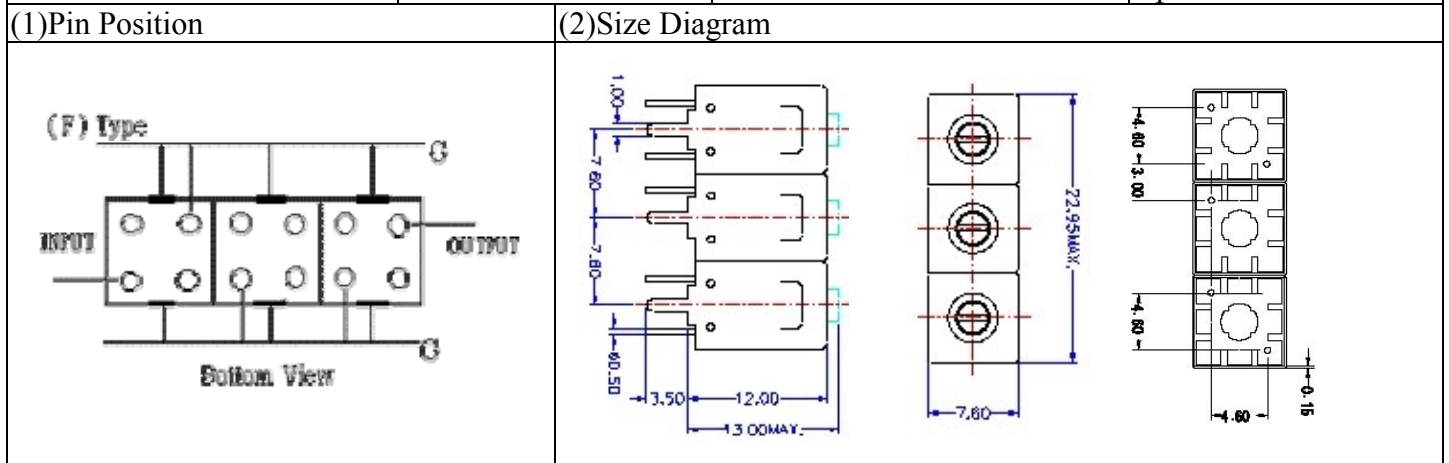


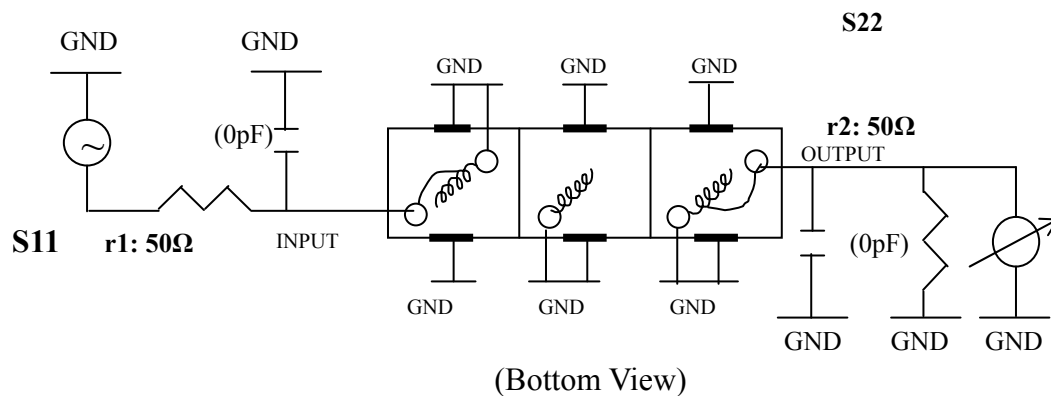
VHF UHF Helical Filter Specification Sheet

Customer Name		Temwell's Part No.	TT63241F-172M
Approval No. /dated	0804007APR	Temwell's print name	166~195M
Work Instruction No.	0804007CD	Date	Apr.08.2008



(3) Electric Characteristic			
Item	Specify	Performance	
Center Freq.(Fo) +/- 0.5 %	172 MHz	172 MHz	
Tunable Range:	172±2 MHz	172±2 MHz	
Insertion Loss	Typ. 2.5 dB	1.77 dB	
-3 dB Bandwidth	Typ. 15 MHz	17 MHz	
Sensitivity (Attenuation)	Fo - 30 MHz	Typ. 33 dBc	35 dBc
	Fo + 30 MHz	Typ. 29 dBc	32 dBc
	Fo - ()MHz	Typ. dBc	dBc
	Fo +()MHz	Typ. dBc	dBc
Return Loss	Min. 12 dB	28.0 dB	
Ripple	< 1 dB	dB	
Impedance	In / Out : 50 Ω	In / Out : 50 Ω	
(4) Torque for Tuning Screw	> 100gf · cm		
(5) Temperature Condition:			
Operating Temperature	0°C ~ +60°C		
Storage Temperature	-20°C ~ +70°C		
(6) Input Power	> 1Watt		

(7) Measuring Circuit: ※Easy to match Impedance S11/S22 50Ω by parallel with about(0pF) / (0pF).



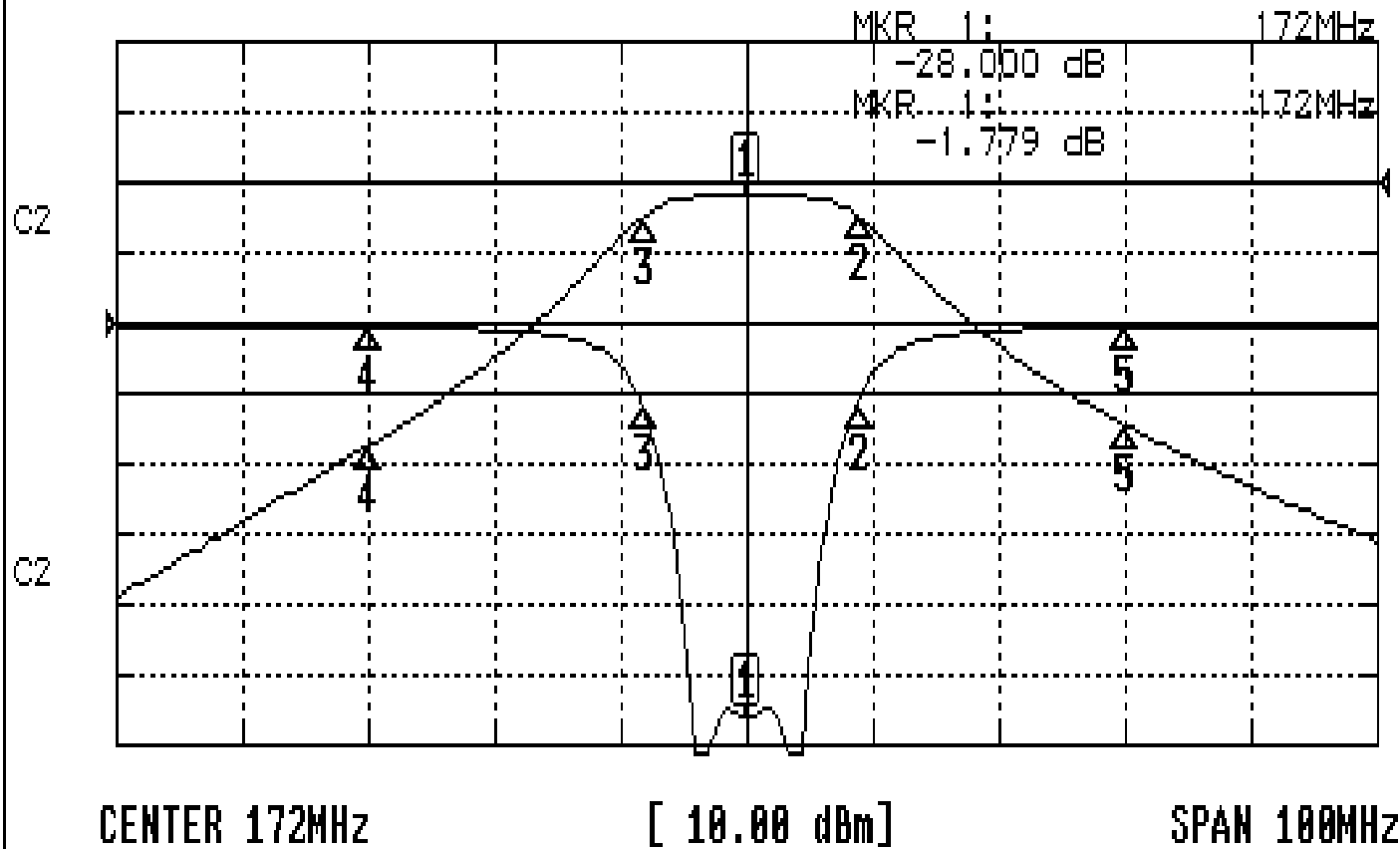
Approval	Supervisor	Designer	Aperture size
C.Y.Chang	C.S.Chang	Y.H.Chuan	7H3(4*4.5F)*(6.5B) 7H024LB6.5

TEMWELL CORPORATION

Performance-TT63241F-172M

0804007CD

CH1 S11 LOG MAG REF 0.000 dB 5.000 dB/
CH2 S21 LOG MAG REF 0.000 dB 10.000 dB/



CH1 MARKER LIST

1:	172.000MHz	-28.000 dB
2:	180.833MHz	-5.591 dB
3:	163.750MHz	-5.792 dB
4:	142.000MHz	-0.285 dB
5:	202.000MHz	-0.294 dB

CH2 MARKER LIST

1:	172.000MHz	-1.779 dB
2:	180.833MHz	-4.782 dB
3:	163.750MHz	-4.799 dB
4:	142.000MHz	-37.385 dB
5:	202.000MHz	-34.490 dB