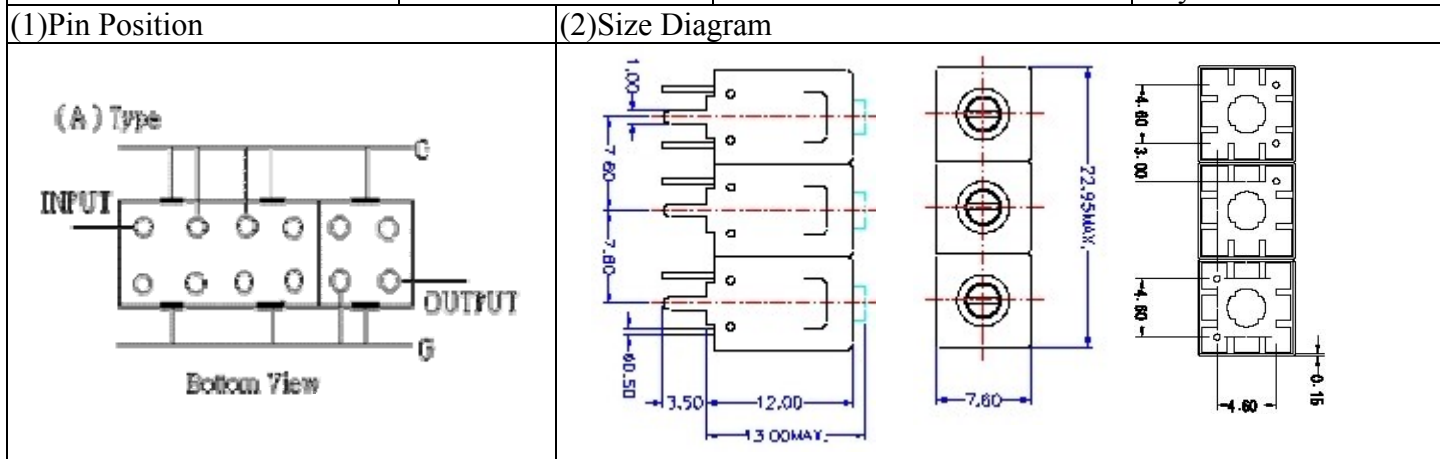


# VHF UHF Helical Filter Specification Sheet

Customer Name		Temwell's Part No.	TT63243A-152M
Approval No. /dated	0805068APR	Acceptable Specift Fo Range	146~165MHz
Work Instruction No.	0805068CD	Date	May.26.2008



### (3)Electric Charasteric

Item	Specify	Performance	
Center Freq.(Fo ) +/- 0.75 %	152 MHz	152 MHz	
Tunable Range:	152±2 MHz	152±2 MHz	
Insertion Loss	Typ. 3 dB	1.91 dB	
-3 dB Bandwidth	Typ. 10 MHz	10.5 MHz	
Sensitivity (Attenuation )	Fo - 20 MHz	Typ. 45 dBc	48 dBc
	Fo + 20 MHz	Typ. 30 dBc	33 dBc
	Fo - ( )MHz	Typ. dBc	dBc
	Fo +( )MHz	Typ. dBc	dBc
Return Loss	Min. 12 dB	20.0 dB	
Ripple	< 1 dB	dB	
Impedance	In / Out : 50 Ω	In / Out : 50 Ω	

(4)Torque for Tuning Screw > 100gf · cm

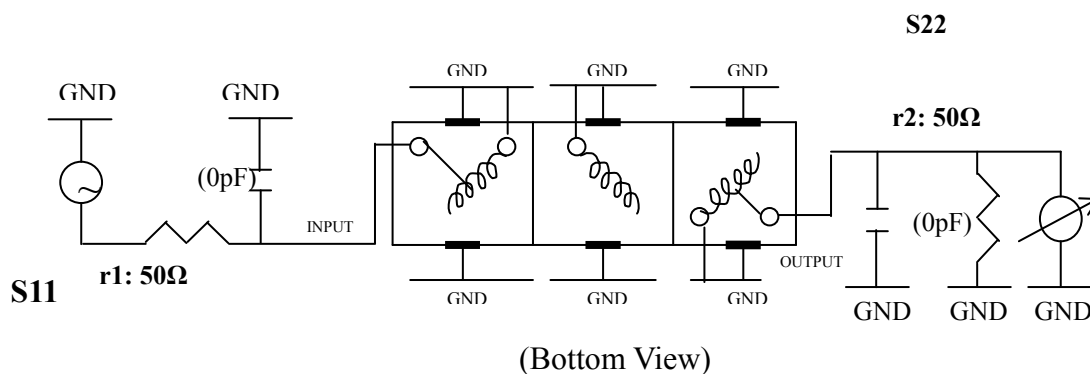
(5)Temperature Condition:

Operating Temperature -30°C ~ +70°C

Storage Temperature -30°C ~ +80°C

(6)Input Power > 1Watt

(7)Measuring Circuit: ※Easy to match Impedance S11/S22 50Ωby parallel with about(0pF) / (0pF).

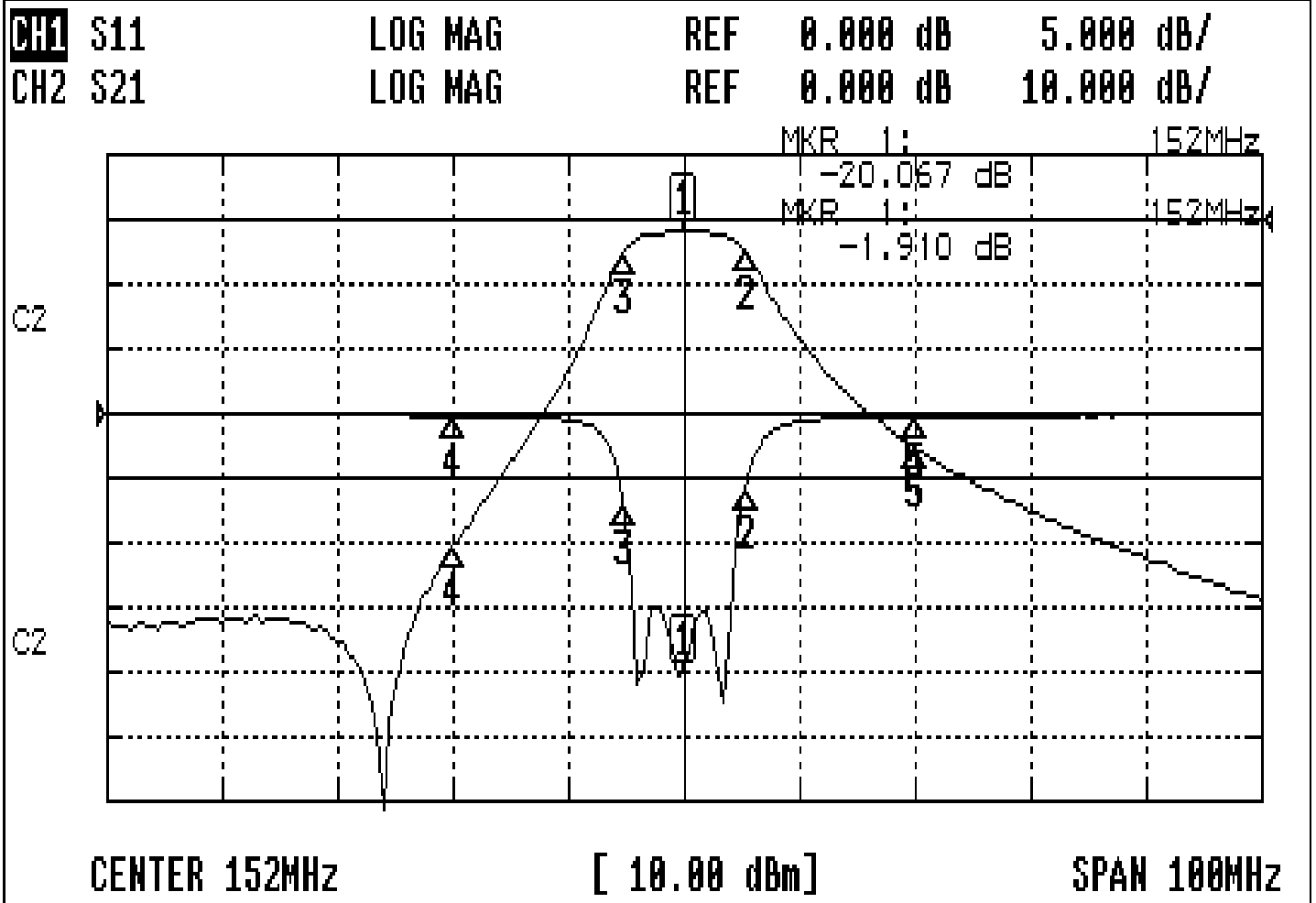


Approval	Supervisor	Designer	Aperture size
C.Y.Chang	C.S.Chang	P.H.Chiang	7H3(4*7.5F) 7H024LB4

TEMWELL CORPORATION

# Performance-TT63243A-152M

## 0805068CD



### CH1 MARKER LIST

1:	152.000MHz	-20.069 dB
2:	157.333MHz	-15.633 dB
3:	146.833MHz	-7.287 dB
4:	132.000MHz	-0.173 dB
5:	172.000MHz	-0.204 dB

### CH2 MARKER LIST

1:	152.000MHz	-1.910 dB
2:	157.333MHz	-4.980 dB
3:	146.833MHz	-4.943 dB
4:	132.000MHz	-30.755 dB
5:	172.000MHz	-35.254 dB