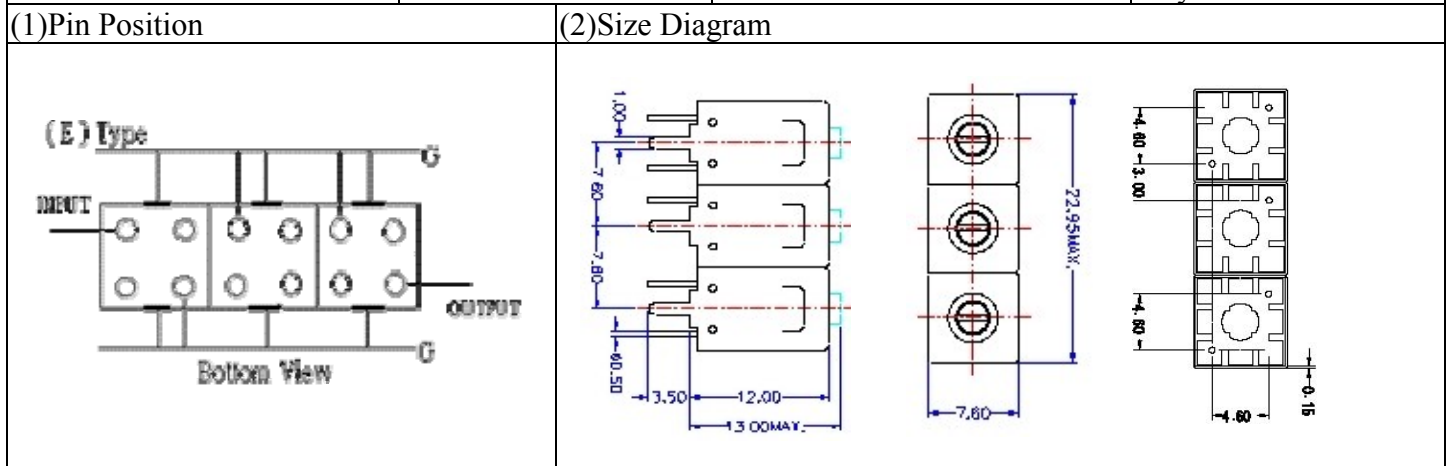


VHF UHF Helical Filter Specification Sheet

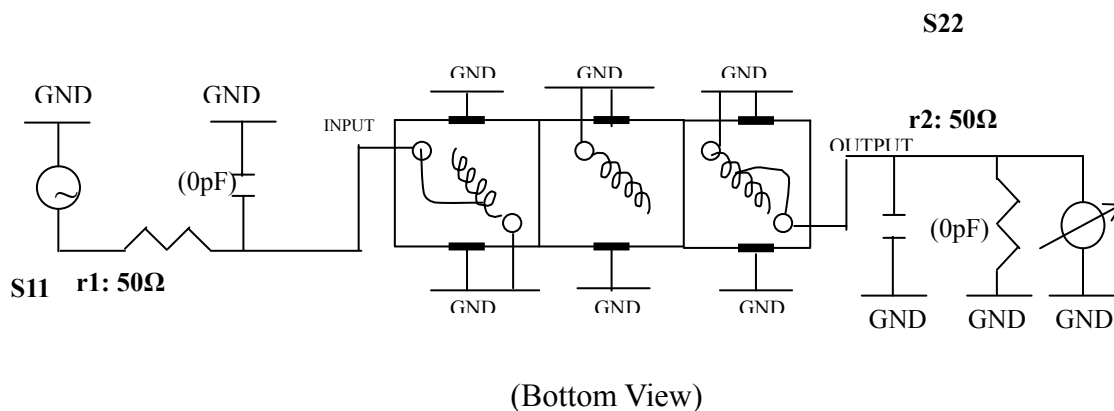
Customer Name		Temwell's Part No.	TT63244E-152M
Approval No. /dated	0805036CD	Customer's Part No.	146~165M
Work Instruction No.	0805036CD	Date	May.13.2008



(3) Electric Characteristic			
Item		Specify	Performance
Center Freq.(Fo) +/- 0.75 %		152 MHz	152 MHz
Tunable Range:		152±2 MHz	152±2 MHz
Insertion Loss		Typ. 4 dB	2.78 dB
-3 dB Bandwidth		Typ. 8 MHz	8.6 MHz
Sensitivity (Attenuation)	Fo - 20 MHz	Typ. 45 dBc	48 dBc
	Fo + 20 MHz	Typ. 51 dBc	54 dBc
	Fo - ()MHz	Typ. dBc	dBc
	Fo +()MHz	Typ. dBc	dBc
Return Loss		Min. 12 dB	25.3 dB
Ripple		< 1 dB	dB
Impedance		In / Out : 50 Ω	In / Out : 50 Ω
(4) Torque for Tuning Screw		> 100gf · cm	

(5) Temperature Condition:	
Operating Temperature	-30°C ~ +70°C
Storage Temperature	-30°C ~ +80°C
(6) Input Power	> 1Watt

(7) Measuring Circuit: ※Easy to match Impedance S11/S22 50Ω by parallel with about (0 pF) / (0 pF).

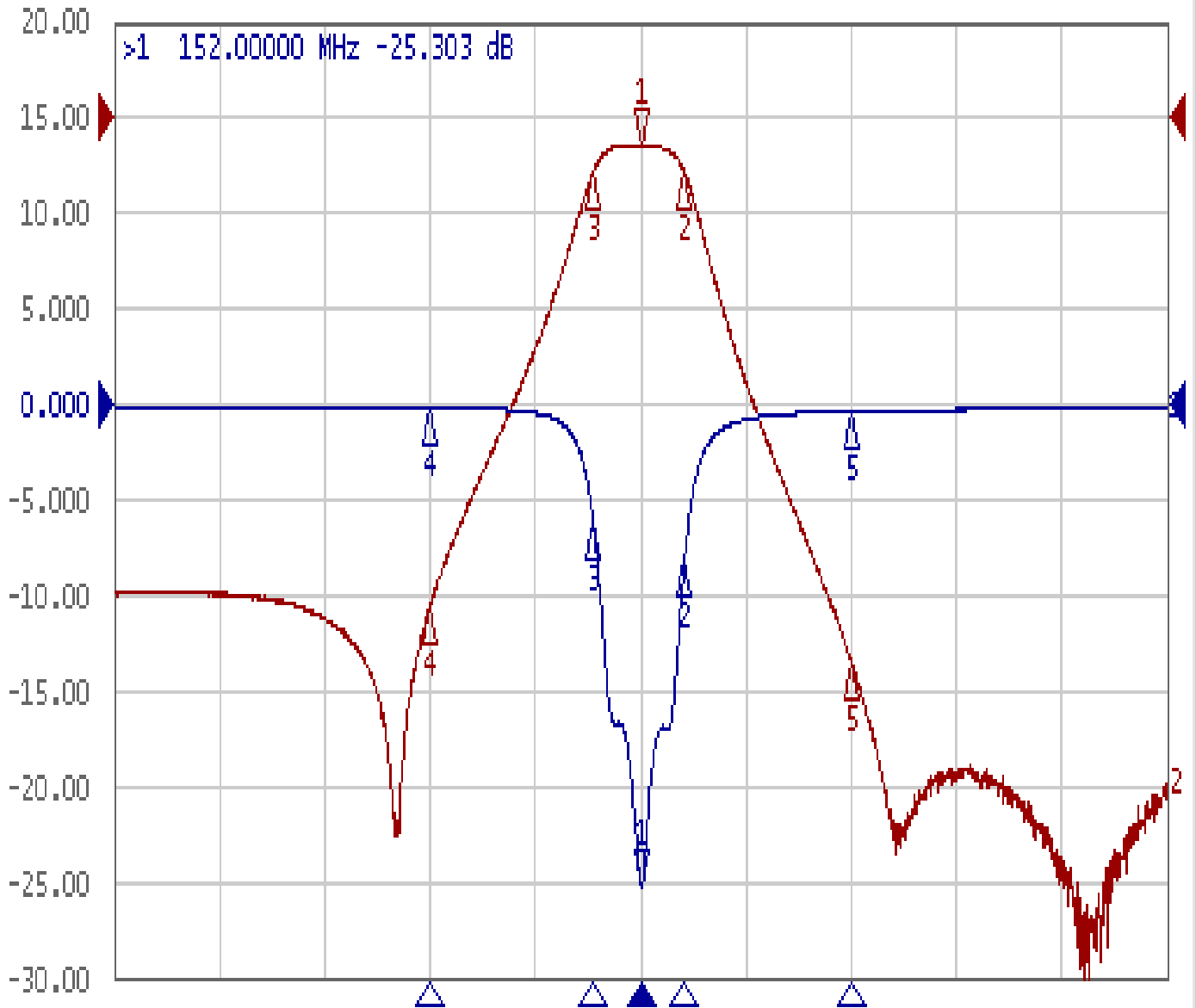


Approval	Supervisor	Designer	Aperture size
C.Y.Chang	C.S.Chang	C.S.Chang	7H3(4*7.5F) 7H024RB4
TEMWELL CORPORATION			

Performance-TT63244E-152M

0805036CD

Tr1 S11 Log Mag 5.000dB/ Ref 0.000dB [F3]
Tr2 S21 Log Mag 10.00dB/ Ref 0.000dB [F3]



1 Center 152 MHz

IFBW 10 kHz

Span 100 MHz

Sim C? !

Ch1	Tr1	S11	>1	152.00000	MHz	-25.303	dB
Ch1	Tr1	S11	2	156.17500	MHz	-8.0866	dB
Ch1	Tr1	S11	3	147.50625	MHz	-6.2171	dB
Ch1	Tr1	S11	4	132.00000	MHz	-0.1613	dB
Ch1	Tr1	S11	5	172.00000	MHz	-0.3506	dB
Ch1	Tr2	S21	1	152.00000	MHz	-2.7898	dB
Ch1	Tr2	S21	2	156.17500	MHz	-5.7017	dB
Ch1	Tr2	S21	3	147.50625	MHz	-5.6209	dB
Ch1	Tr2	S21	4	132.00000	MHz	-51.217	dB
Ch1	Tr2	S21	5	172.00000	MHz	-56.912	dB