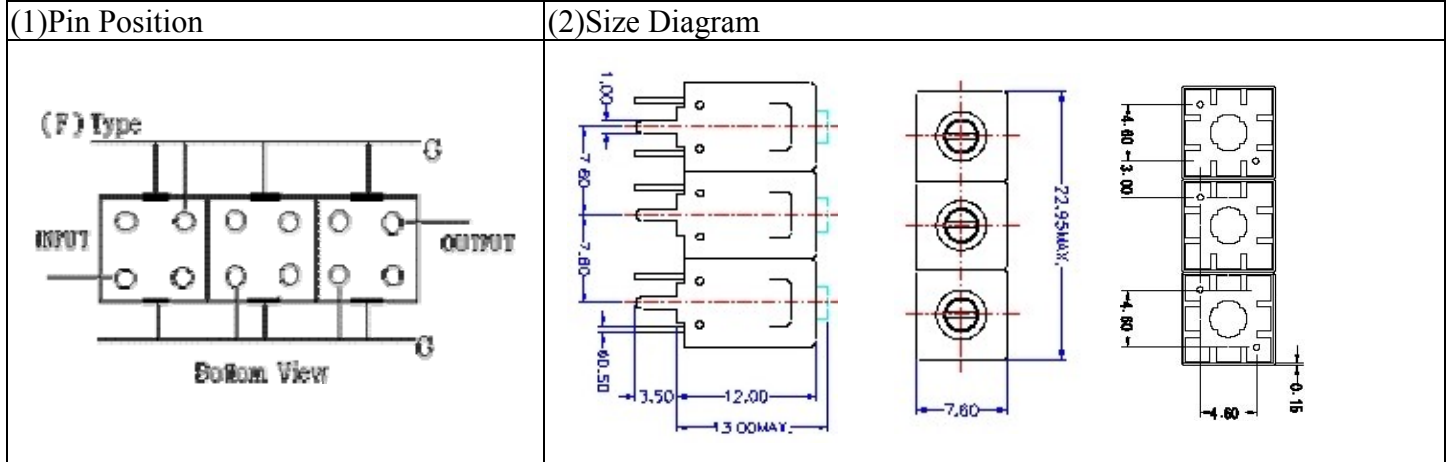


VHF UHF Helical Filter Specification Sheet

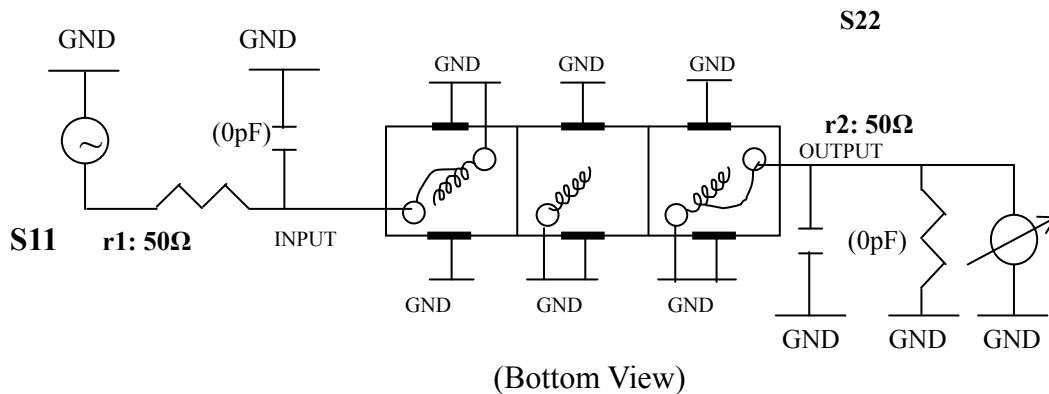
Customer Name		Temwell's Part No.	TT63248F-700M
Approval No. /dated	0807072CD	Acceptable Specify Fo Range	661~700MHz
Work Instruction No.	0807072CD	Date	Jul.31.2008



(3) Electric Characteristic			
Item	Specify	Performance	
Center Freq.(Fo) +/- 0.5 %	700 MHz	700 MHz	
Tunable Range:	700±3 MHz	700±3 MHz	
Insertion Loss	Typ. 1.5 dB	0.85 dB	
-3 dB Bandwidth	Typ. 130 MHz	147.7 MHz	
Sensitivity (Attenuation)	Fo - 200 MHz	Typ. 30 dBc	33 dBc
	Fo + 200 MHz	Typ. 21 dBc	24 dBc
	Fo - ()MHz	Typ. dBc	dBc
	Fo +()MHz	Typ. dBc	dBc
Return Loss	Min. 12 dB	23.5 dB	
Ripple	< 1 dB	dB	
Impedance	In / Out : 50 Ω	In / Out : 50 Ω	
(4) Torque for Tuning Screw	> 100gf • cm		

(5) Temperature Condition:	
Operating Temperature	0°C ~ +60°C
Storage Temperature	-20°C ~ +70°C
(6) Input Power	> 1Watt

(7) Measuring Circuit: ※Easy to match Impedance S11/S22 50Ω by parallel with about(0pF) / (0pF).



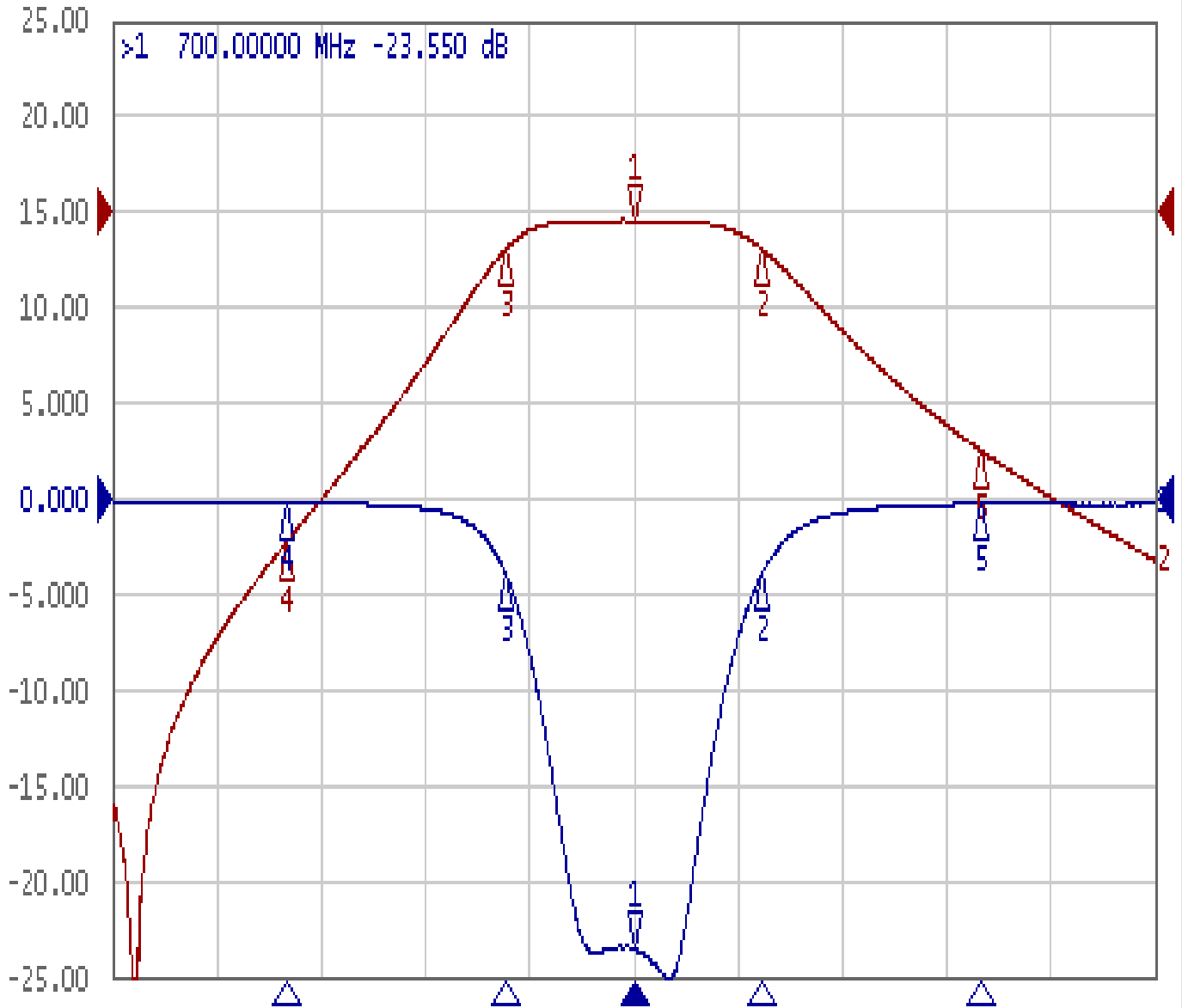
Approval	Supervisor	Designer	Aperture size
C.Y.Chang	C.S.Chang	C.S.Chang	7H3(4*8.0F) 7H046RB6.5

TEMWELL CORPORATION

Performance-TT63248F-700M

0807072CD

Tr1 S11 Log Mag 5.000dB/ Ref 0.000dB [F3]
Tr2 S21 Log Mag 10.00dB/ Ref 0.000dB [F3]



1 Center 700 MHz IFBW 10 kHz Span 600 MHz

Ch1	Tr1	S11	>1	700.00000 MHz	-23.550 dB
Ch1	Tr1	S11	2	773.77100 MHz	-3.8912 dB
Ch1	Tr1	S11	3	626.07875 MHz	-3.9186 dB
Ch1	Tr1	S11	4	500.00000 MHz	-0.2275 dB
Ch1	Tr1	S11	5	900.00000 MHz	-0.2633 dB
Ch1	Tr2	S21	1	700.00000 MHz	-0.8594 dB
Ch1	Tr2	S21	2	773.77100 MHz	-3.8652 dB
Ch1	Tr2	S21	3	626.07875 MHz	-3.8812 dB
Ch1	Tr2	S21	4	500.00000 MHz	-34.523 dB
Ch1	Tr2	S21	5	900.00000 MHz	-24.979 dB