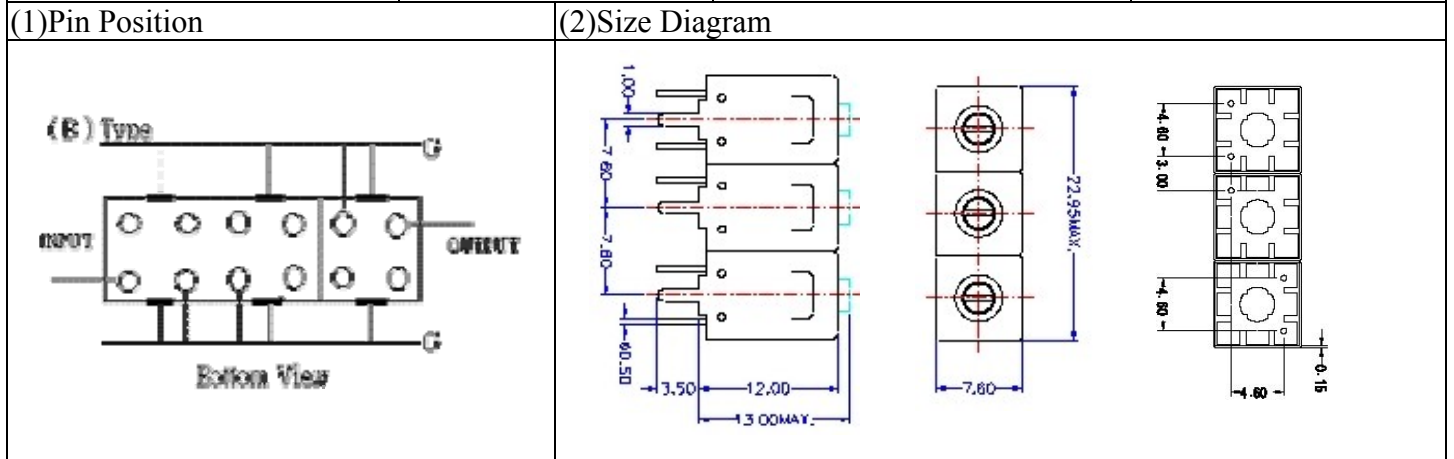


VHF UHF Helical Filter Specification Sheet

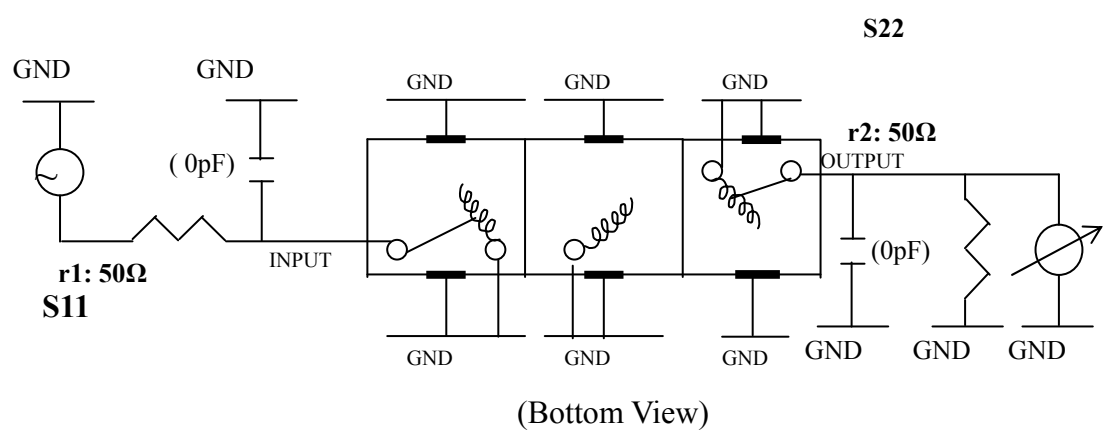
Customer Name		Temwell's Part No.	TT63249B-518M
Approval No. /dated	0812077CD	Temwell's Print name.	63249B 518M
Work Instruction No.	200812077CD	Date	Dec.23.2008



(3) Electric Characteristic			
Item	Specify	Performance	
Center Freq.(Fo) +/- 0.5 %	518 MHz	518 MHz	
Tunable Range:	518±3 MHz	518±3 MHz	
Insertion Loss	Typ. 2.0 dB	0.84 dB	
-3 dB Bandwidth	Typ. 50 MHz	56.7 MHz	
Sensitivity (Attenuation)	Fo - (100) MHz	Typ. 38 dBc	41 dBc
	Fo + (100) MHz	Typ. 25 dBc	28 dBc
	Fo - () MHz	Typ. dBc	dBc
	Fo + () MHz	Typ. dBc	dBc
Return Loss	Min. 12 dB	27.46 dB	
Ripple	< 1 dB	dB	
Impedance	In / Out : 50 Ω	In / Out : 50 Ω	
(4) Torque for Tuning Screw	> 100gf • cm		

(5) Temperature Condition:	
Operating Temperature	0°C ~ +60°C
Storage Temperature	-20°C ~ +70°C
(6) Input Power	> 1Watt

(7) Measuring Circuit: ※Easy to match Impedance S11/S22 50Ωby parallel with about(0pF) / (0pF).

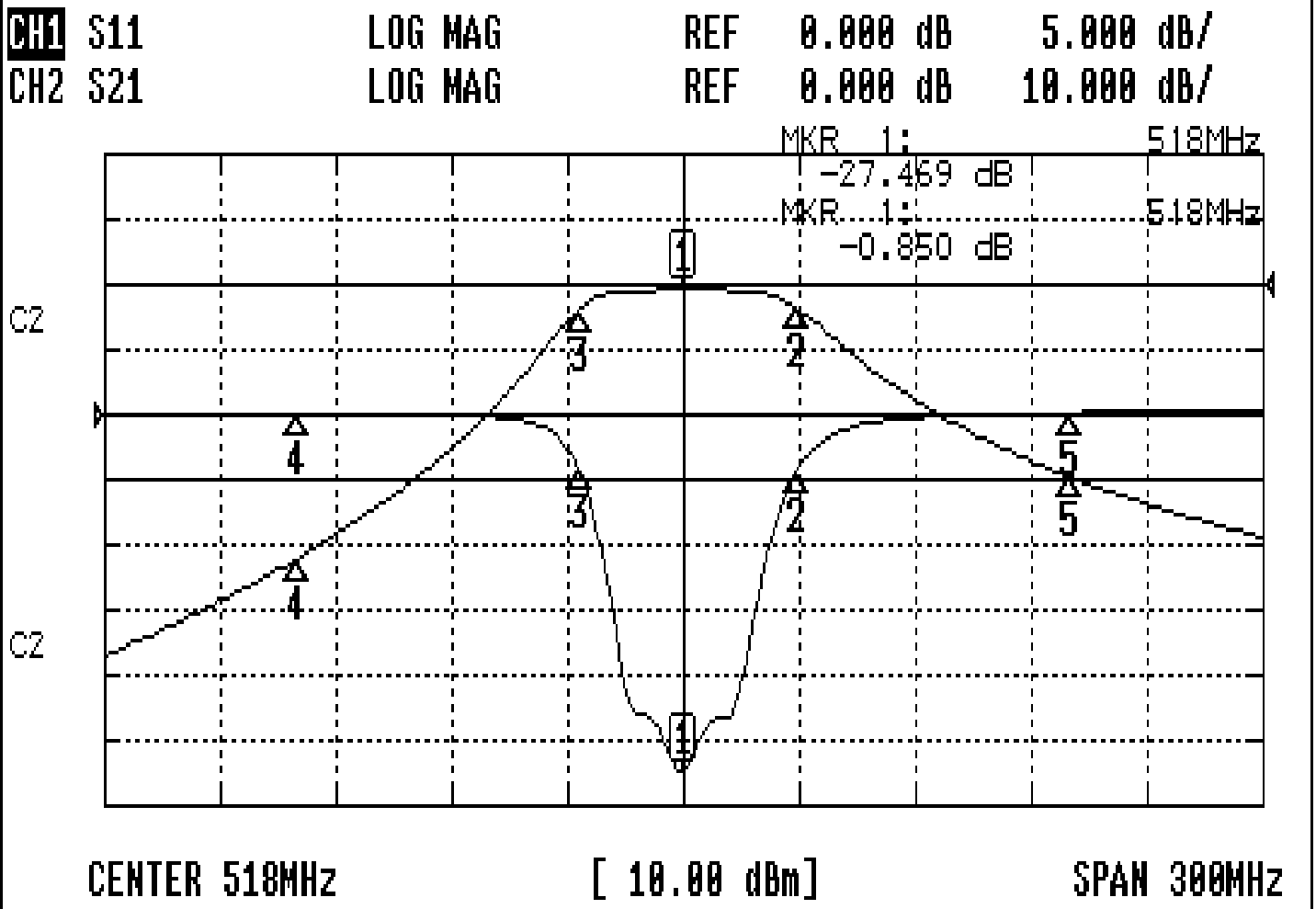


Approval C.Y.Chang	Supervisor C.S.Chang	Designer W.W.Wang	Aperture size 7H3S(4*6.5)F(6.56)F (7H046RB5.5)
-----------------------	-------------------------	----------------------	--

TEMWELL CORPORATION

Performance-TT63249B-518M

200812077CD



CH1 MARKER LIST

Marker	Frequency (MHz)	Magnitude (dB)
1	518.000	-27.469
2	547.750	-4.193
3	491.000	-4.172
4	418.000	0.102
5	618.000	0.137

CH2 MARKER LIST

Marker	Frequency (MHz)	Magnitude (dB)
1	518.000	-0.848
2	547.750	-3.064
3	491.000	-3.915
4	418.000	-42.091
5	618.000	-29.556