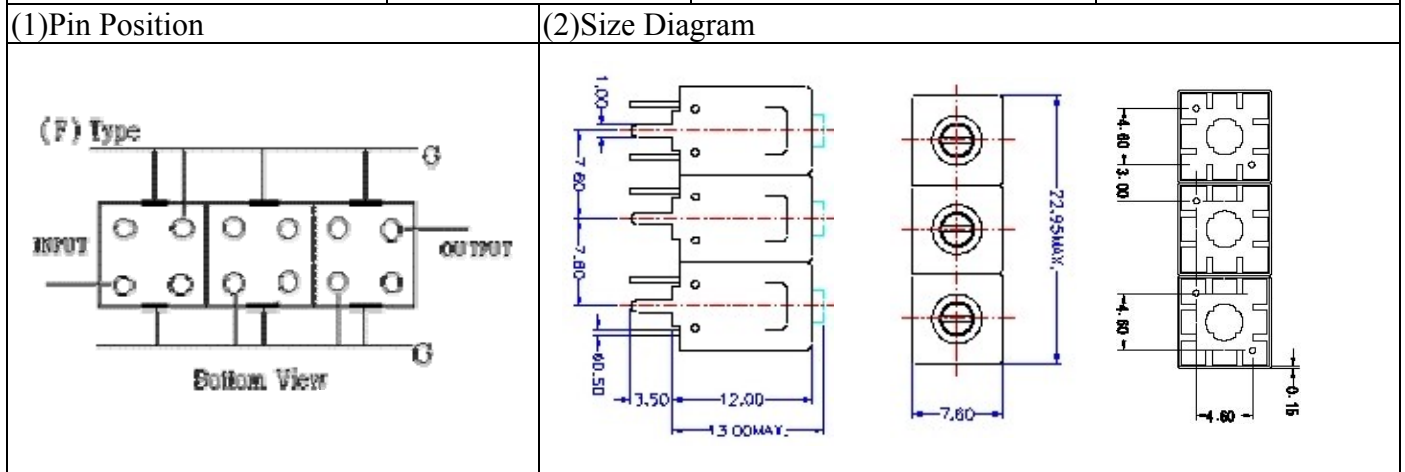


# VHF UHF Helical Filter Specification Sheet

Customer Name		Temwell's Part No.	TT6324F-533M
Approval No. /dated	201111101CD	Temwell's print name	6324F 533M
Work Instruction No.	201111101CD	Date	Nov.14.2011

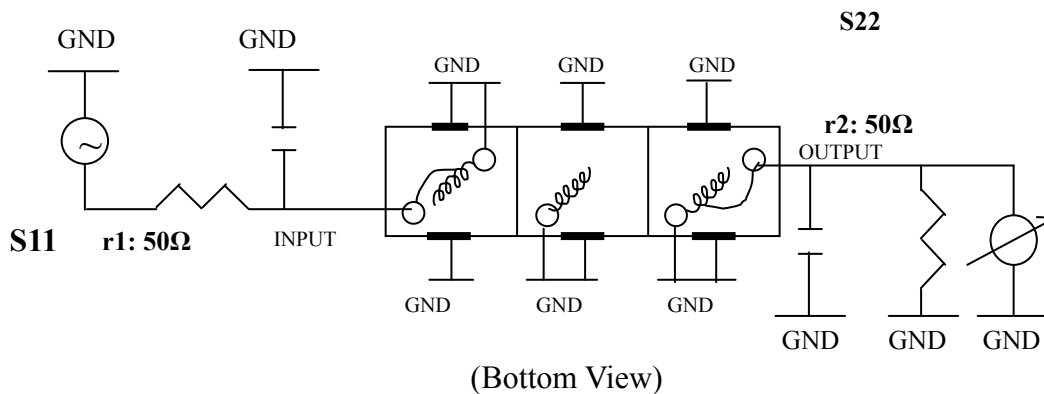


Item		Specify	Performance
Center Freq.(Fo ) +/- 0.5 %		533 MHz	533 MHz
Insertion Loss		Typ. 6.0 dB	4.86 dB
-3 dB Bandwidth		Typ. 6 MHz	8.8 MHz
Sensitivity (Attenuation)	Fo - 15 MHz	Typ. 30 dB	33 dB
	Fo + 15 MHz	Typ. 24 dB	27 dB
	Fo - ( )MHz	Typ. dBc	dBc
	Fo +( )MHz	Typ. dBc	dBc
Return Loss		Min. 12 dB	21.8 dB
Ripple		< 1 dB	dB
Impedance		In / Out : 50 Ω	In / Out : 50 Ω
(4) Torque for Tuning Screw		> 60gf · cm	

(5) Temperature Condition:	
Operating Temperature	0°C ~ +60°C
Storage Temperature	-20°C ~ +70°C

(6) Input Power	> 1Watt
-----------------	---------

(7) Measuring Circuit: ※Easy to match Impedance S11/S22 50Ω by parallel with about( --) / ( --).



Approval	Supervisor	Designer	Aperture size
C.Y.Chang	C.K.Chang	C.S.Chang	7H3S(4*5.5)(5.58) 7H046LB4.3 聚 3

TEMWELL CORPORATION

# Performance-TT6324F-533M

## 20111101CD

