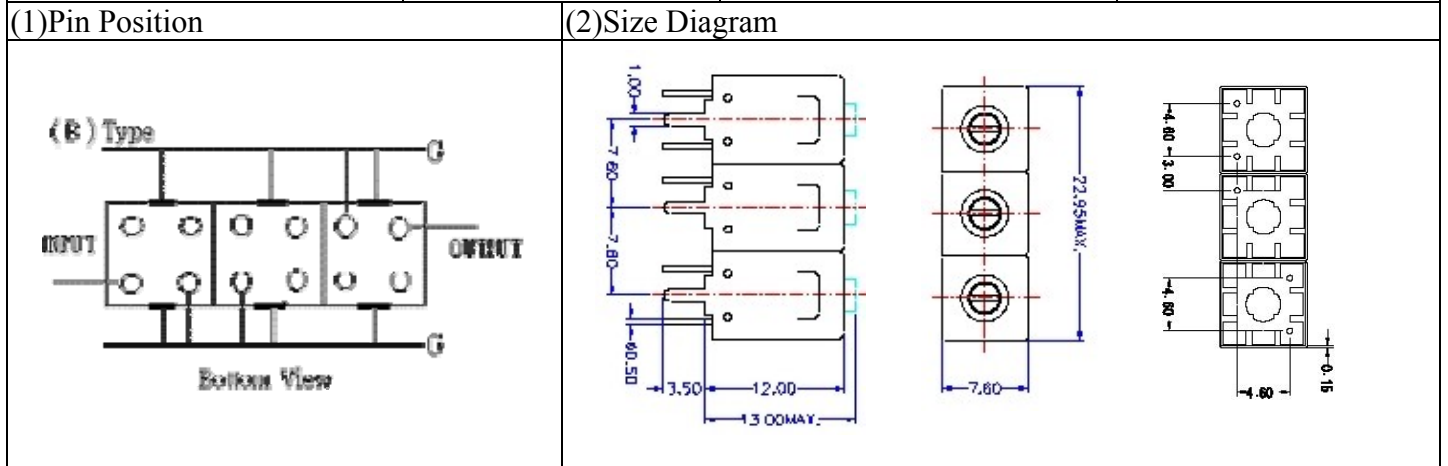


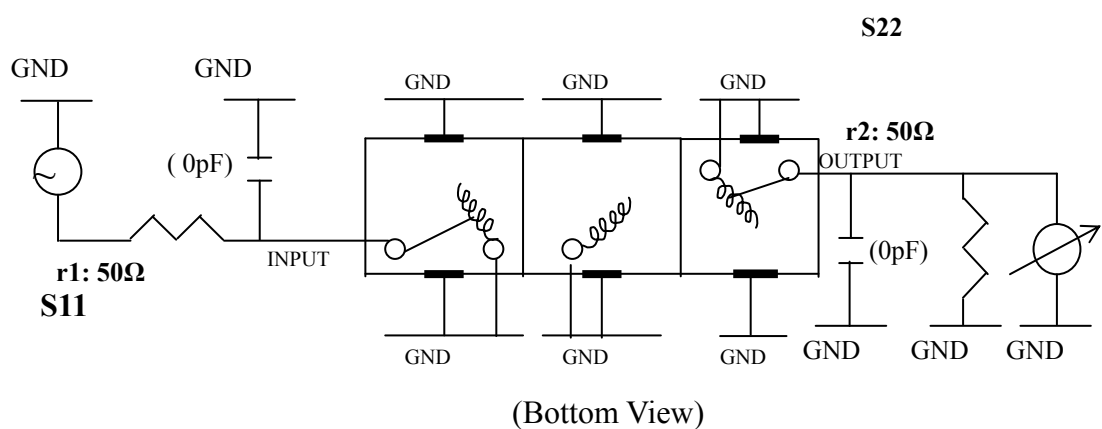
VHF UHF Helical Filter Specification Sheet

Customer Name		Temwell's Part No.	TT63250B-518M
Approval No. /dated	200812078CD	Acceptable Specify Fo Range	516~555MHz
Work Instruction No.	200812078CD	Date	Dec.23.2008



(3) Electric Characteristic		
Item	Specify	Performance
Center Freq.(Fo) +/- 0.5 %	518 MHz	518 MHz
Tunable Range:	518±3 MHz	518±3 MHz
Insertion Loss	Typ. 2.0 dB	0.78 dB
-3 dB Bandwidth	Typ. 60 MHz	65.3 MHz
Sensitivity (Attenuation)	Fo - (100) MHz	Typ. 37 dBc
	Fo + (100) MHz	Typ. 22 dBc
	Fo - () MHz	Typ. dBc
	Fo + () MHz	Typ. dBc
Return Loss	Min. 12 dB	20.2 dB
Ripple	< 1 dB	dB
Impedance	In / Out : 50 Ω	In / Out : 50 Ω
(4) Torque for Tuning Screw		
		> 100gf · cm
(5) Temperature Condition:		
Operating Temperature	0°C ~ +60°C	
Storage Temperature	-20°C ~ +70°C	
(6) Input Power		
> 1 Watt		

(7) Measuring Circuit: ※Easy to match Impedance S11/S22 50Ωby parallel with about(0pF) / (0pF).



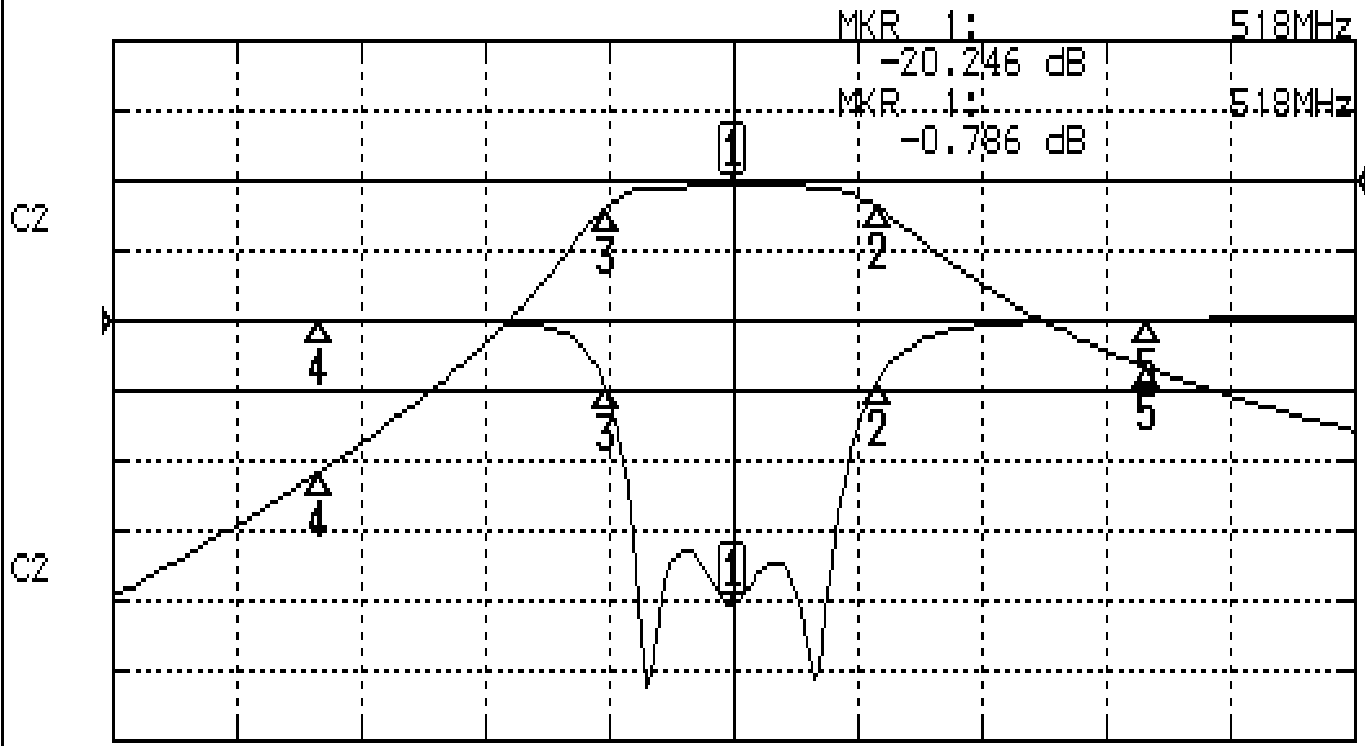
Approval	Supervisor	Designer	Aperture size
C.Y.Chang	C.S.Chang	W.W.wang	7H3S(4*8.0)F(8.05) 7H046RB5.5

TEMWELL CORPORATION

Performance-TT63250B-518M

200812078CD

CH1 S11 LOG MAG REF 0.000 dB 5.000 dB/
CH2 S21 LOG MAG REF 0.000 dB 10.000 dB/



CENTER 518MHz

[10.00 dBm]

SPAN 300MHz

CH1 MARKER LIST

Marker	Frequency (MHz)	Value (dB)
1	518.000	-20.246
2	552.500	-4.557
3	487.250	-4.841
4	418.000	0.079
5	618.000	0.091

CH2 MARKER LIST

Marker	Frequency (MHz)	Value (dB)
1	518.000	-0.788
2	552.500	-3.709
3	487.250	-3.707
4	418.000	-41.596
5	618.000	-26.715