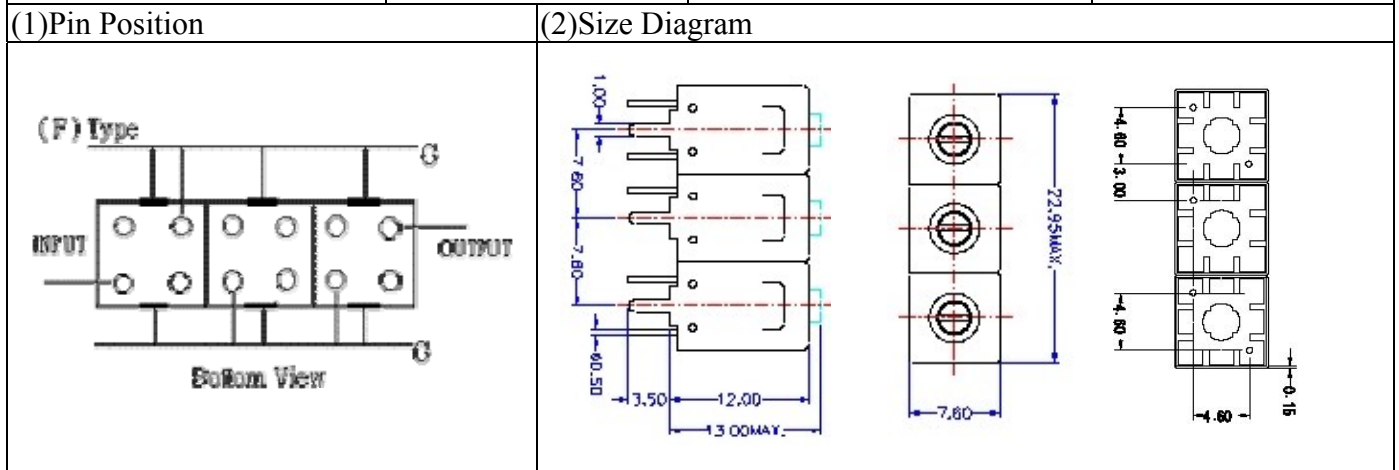


VHF UHF Helical Filter Specification Sheet

Customer Name		Temwell's Part No.	TT6327F-581M
Approval No. /dated	201111105CD	Temwell's print name	6327F 581M
Work Instruction No.	201111105CD	Date	Nov.11.2011



(3) Electric Characteristic

Item	Specify	Performance	
Center Freq.(Fo) +/- 0.5 %	581 MHz	581 MHz	
Insertion Loss	Typ. 6.0 dB	5.17 dB	
-3 dB Bandwidth	Typ. 6 MHz	9.3 MHz	
Sensitivity (Attenuation)	Fo - 15 MHz	Typ. 26 dB	30 dB
	Fo + 15 MHz	Typ. 22 dB	24 dB
	Fo - ()MHz	Typ. dBc	dBc
	Fo +()MHz	Typ. dBc	dBc
Return Loss	Min. 12 dB	19.9 dB	
Ripple	< 1 dB	dB	
Impedance	In / Out : 50 Ω	In / Out : 50 Ω	

(4) Torque for Tuning Screw

> 60gf · cm

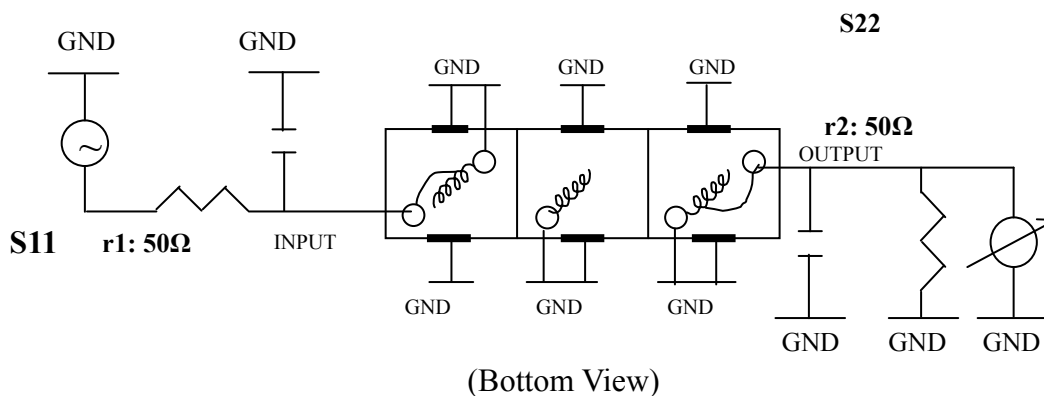
(5) Temperature Condition:

Operating Temperature	0°C ~ +60°C
Storage Temperature	-20°C ~ +70°C

(6) Input Power

> 1Watt

(7) Measuring Circuit: ※Easy to match Impedance S11/S22 50Ω by parallel with about(--) / (--).



Approval	Supervisor	Designer	Aperture size
C.Y.Chang	C.K.Chang	C.S.Chang	7H3S(4*5.5)(5.56) 7H046LB4.3 聚 3

TEMWELL CORPORATION

TEMWELL

Form10-7H3F Vision D

RP(C.S.C)

Performance-TT6327F-581M

20111105CD

