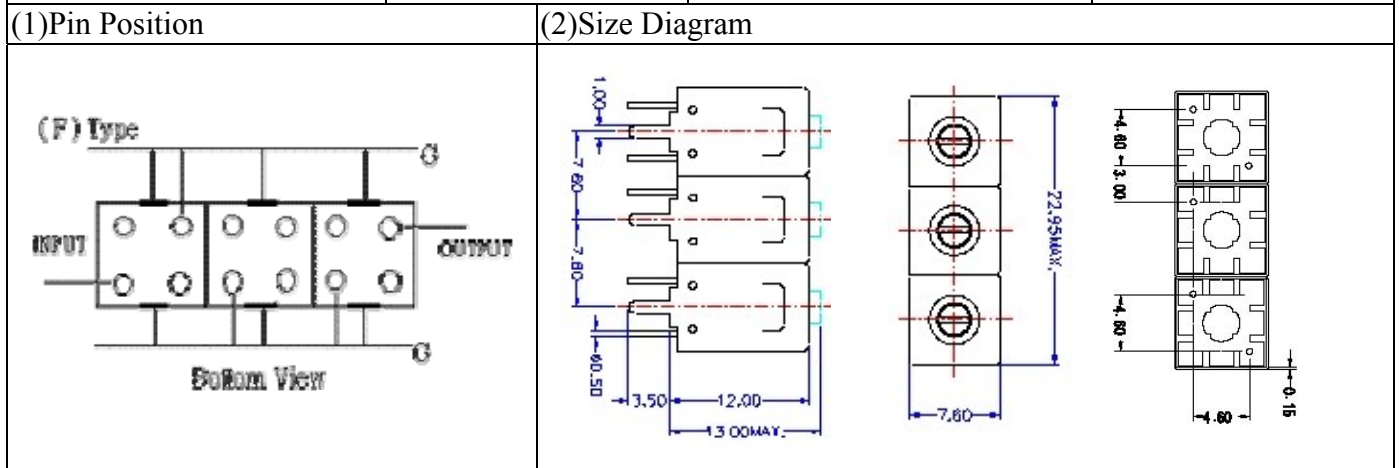


VHF UHF Helical Filter Specification Sheet

Customer Name		Temwell's Part No.	TT6328F-593M
Approval No. /dated	201111106CD	Temwell's print name	6328F 593M
Work Instruction No.	201111106CD	Date	Nov.11.2011



(3) Electric Characteristic

Item	Specify	Performance	
Center Freq.(Fo) +/- 0.5 %	593 MHz	593 MHz	
Insertion Loss	Typ. 6.0 dB	5.22 dB	
-3 dB Bandwidth	Typ. 6 MHz	9.4 MHz	
Sensitivity (Attenuation)	Fo - 15 MHz	Typ. 26 dB	29 dB
	Fo + 15 MHz	Typ. 20 dB	23 dB
	Fo - ()MHz	Typ. dBc	dBc
	Fo +()MHz	Typ. dBc	dBc
Return Loss	Min. 12 dB	19.4 dB	
Ripple	< 1 dB	dB	
Impedance	In / Out : 50 Ω	In / Out : 50 Ω	

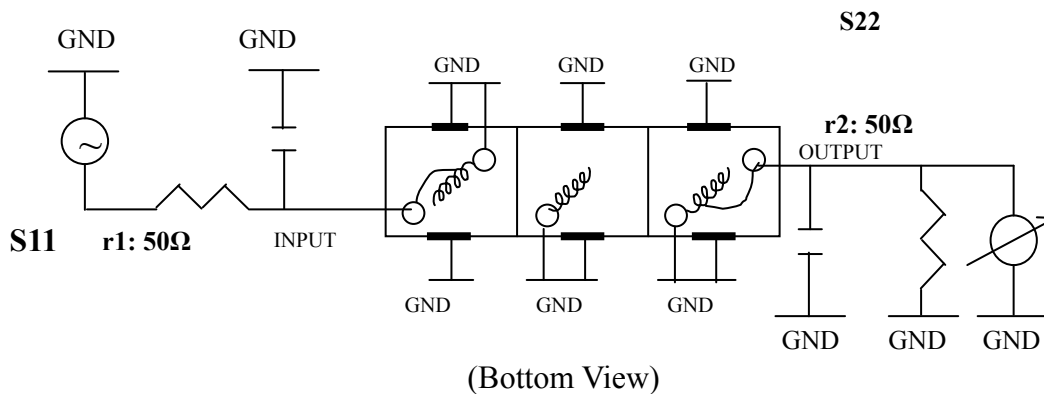
(4) Torque for Tuning Screw > 60gf · cm

(5) Temperature Condition:

Operating Temperature	0°C ~ +60°C
Storage Temperature	-20°C ~ +70°C

(6) Input Power > 1Watt

(7) Measuring Circuit: ※Easy to match Impedance S11/S22 50Ω by parallel with about(--) / (--).



Approval C.Y.Chang	Supervisor C.K.Chang	Designer C.S.Chang	Aperture size 7H3S(4*5.5)(5.58) 7H046LB4.3 聚 3
-----------------------	-------------------------	-----------------------	--

TEMWELL CORPORATION

Performance-TT6328F-593M

20111106CD

