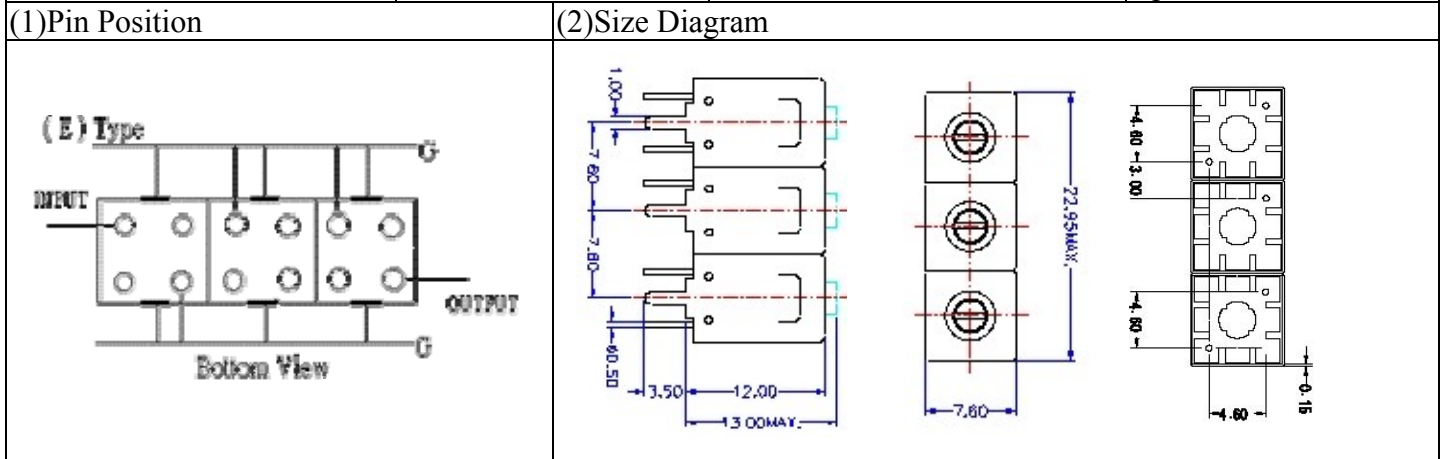


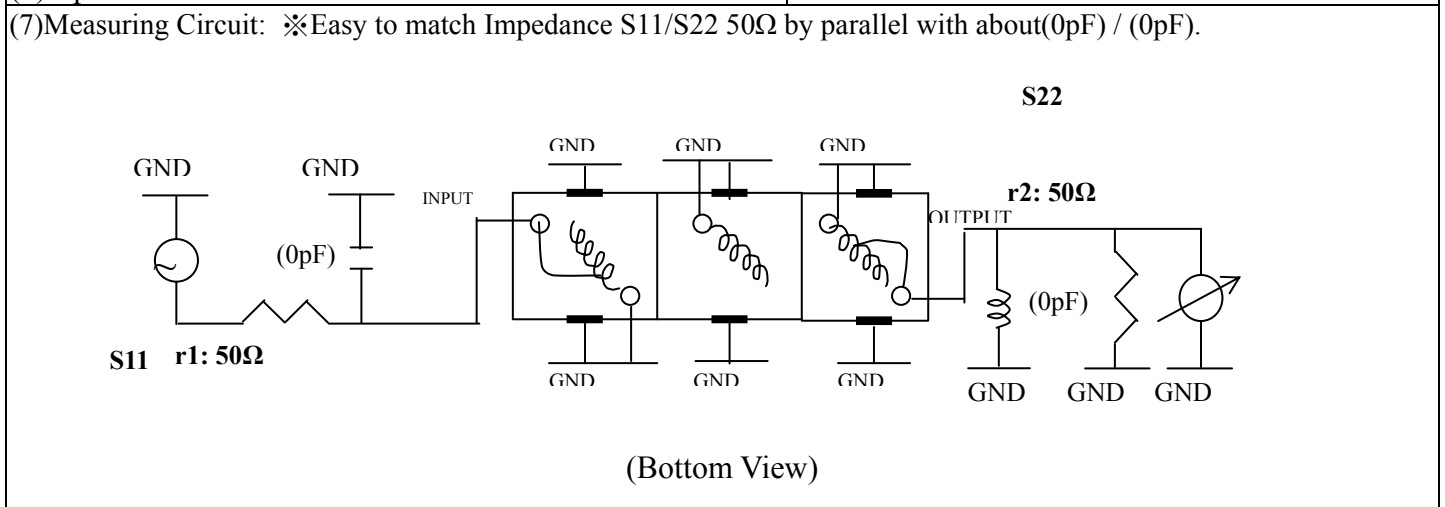
# VHF UHF Helical Filter Specification Sheet

Customer Name		Temwell's Part No.	TT63328E-666M
Approval No. /dated	0903083APR	Temwell's Print Name	63328E 666M
Work Instruction No.	200903083BD	Date	Apr.02.2009



(3) Electric Characteristic			
Item	Specify	Performance	
Center Freq.(Fo ) +/- 0.5 %	666 MHz	666	MHz
Insertion Loss	Typ. 2.0 dB	0.90	dB
-1 dB Bandwidth	Typ. 54 MHz	58.5	MHz
-3 dB Bandwidth	Typ. 68 MHz	72.9	MHz
Sensitivity (Attenuation )	Fo - 66 MHz	Typ. 15	dB
	Fo + 66 MHz	Typ. 13	dB
	Fo - ( )MHz	Typ.	dB
	Fo +( )MHz	Typ.	dB
Return Loss	Min. 12 dB	20.4	dB
Ripple	< 1 dB		dB
Impedance	In / Out : 50 Ω	In / Out : 50 Ω	

(4) Torque for Tuning Screw	> 100gf · cm
(5) Temperature Condition:	
Operating Temperature	0°C ~ +60°C
Storage Temperature	-20°C ~ +70°C
(6) Input Power	> 1Watt



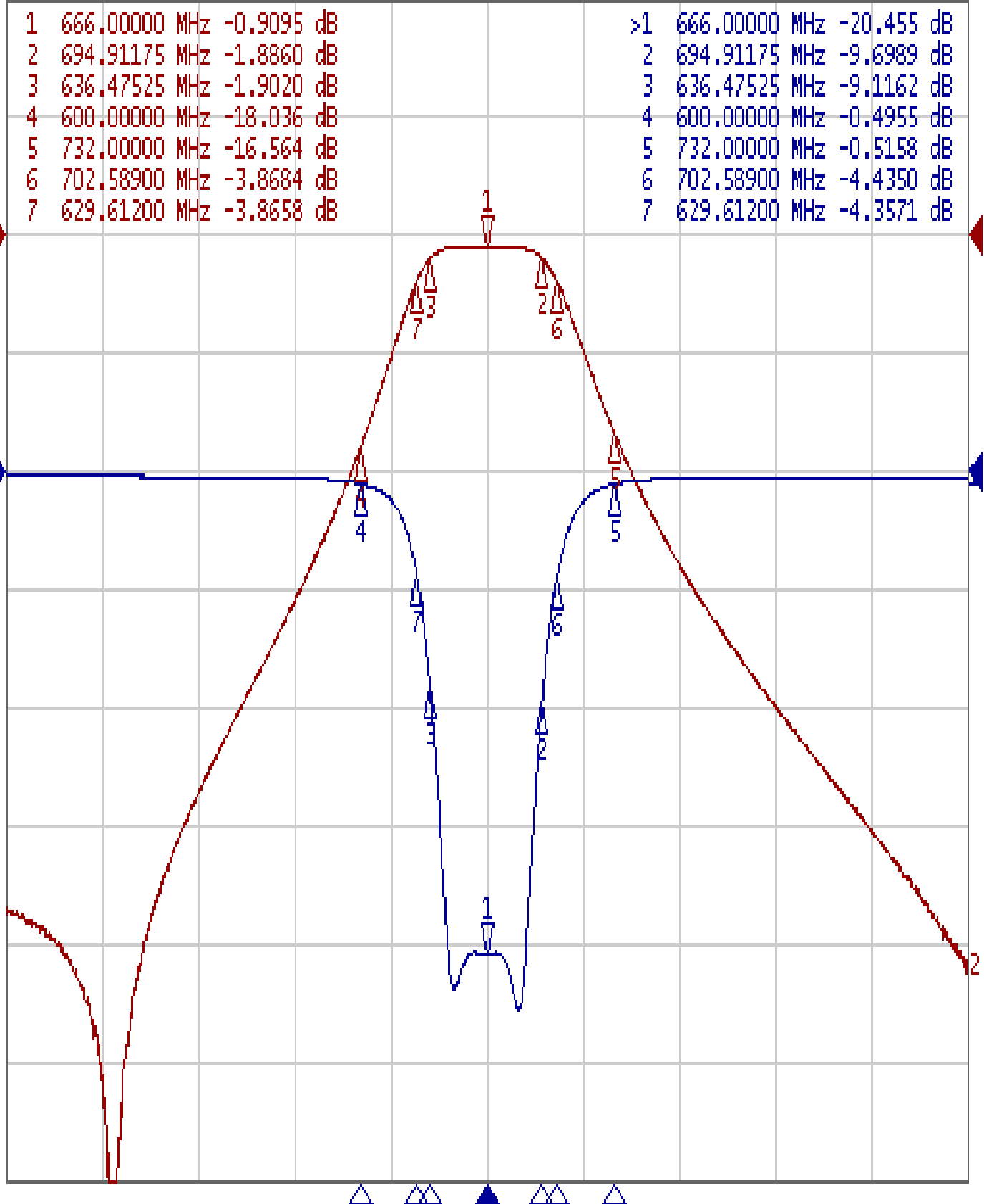
Approval C.Y.Chang	Supervisor C.K.Chang	Designer C.S.Chang	Aperture size 7H3S(4*6.5)(6.59) 7H046LB5.5
-----------------------	-------------------------	-----------------------	--

TEMWELL CORPORATION

# Performance-TT63328E-666M

## 200903083BD

Tr1 S11 Log Mag 5.000dB/ Ref 0.000dB [F3]  
Tr2 S21 Log Mag 10.00dB/ Ref 0.000dB [F3]



1 Center 666 MHz

IFBW 10 kHz

Span 500 MHz

C?