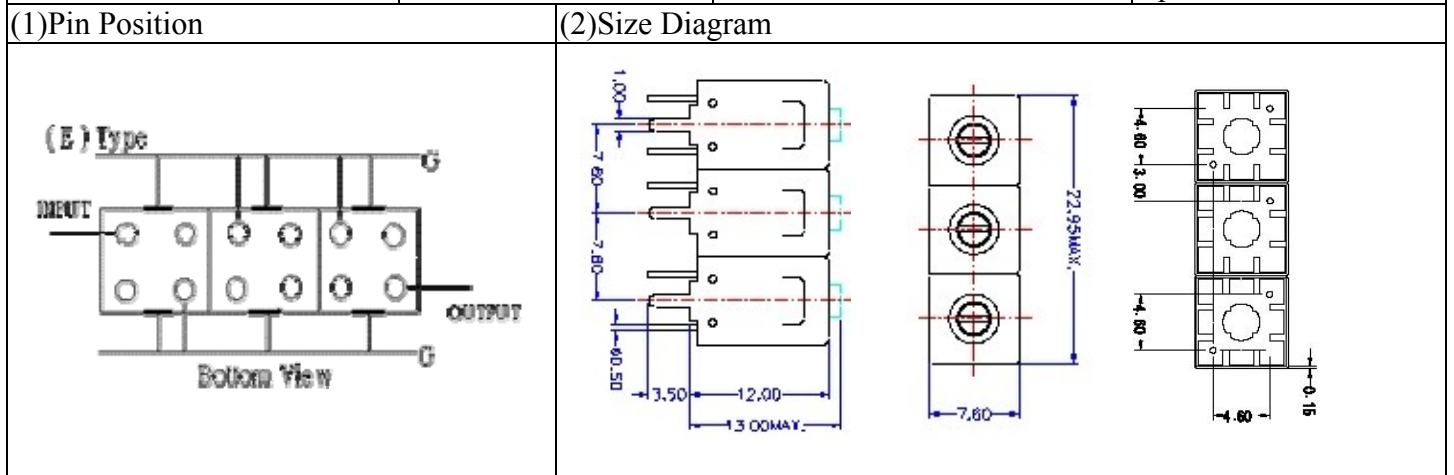


VHF UHF Helical Filter Specification Sheet

Customer Name		Temwell's Part No.	TT63329E-666M
Approval No. /dated	0903085APR	Temwell's Print Name	63329E 666M
Work Instruction No.	200903085BD	Date	Apr.02.2009



(3) Electric Characteristic

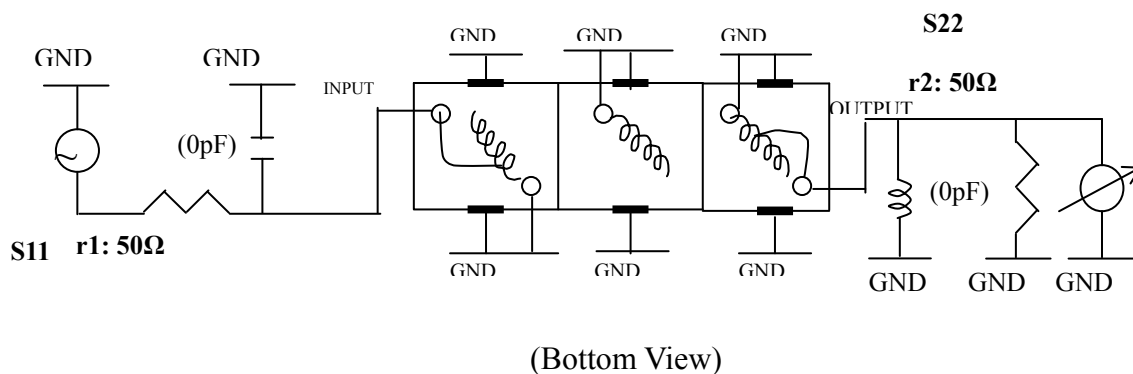
Item	Specify	Performance
Center Freq.(Fo) +/- 0.5 %	666 MHz	666 MHz
Insertion Loss	Typ. 2.0 dB	0.81 dB
-1 dB Bandwidth	Typ. 66 MHz	70.5 MHz
-3 dB Bandwidth	Typ. 80 MHz	84.9 MHz
Sensitivity (Attenuation)	Fo - 78 MHz	Typ. 17 dB
	Fo + 78 MHz	Typ. 15 dB
	Fo - ()MHz	Typ. dB
	Fo +()MHz	Typ. dB
Return Loss	Min. 12 dB	21.1 dB
Ripple	< 1 dB	
Impedance	In / Out : 50 Ω	In / Out : 50 Ω
(4) Torque for Tuning Screw	> 100gf · cm	

(5) Temperature Condition:

Operating Temperature	0°C ~ +60°C
Storage Temperature	-20°C ~ +70°C

(6) Input Power

(7) Measuring Circuit: ※Easy to match Impedance S11/S22 50Ω by parallel with about(0pF) / (0pF).



Approval	Supervisor	Designer	Aperture size
C.Y.Chang	C.K.Chang	C.S.Chang	7H3S(4*7.5)(7.52) 7H046LB5.5

TEMWELL CORPORATION

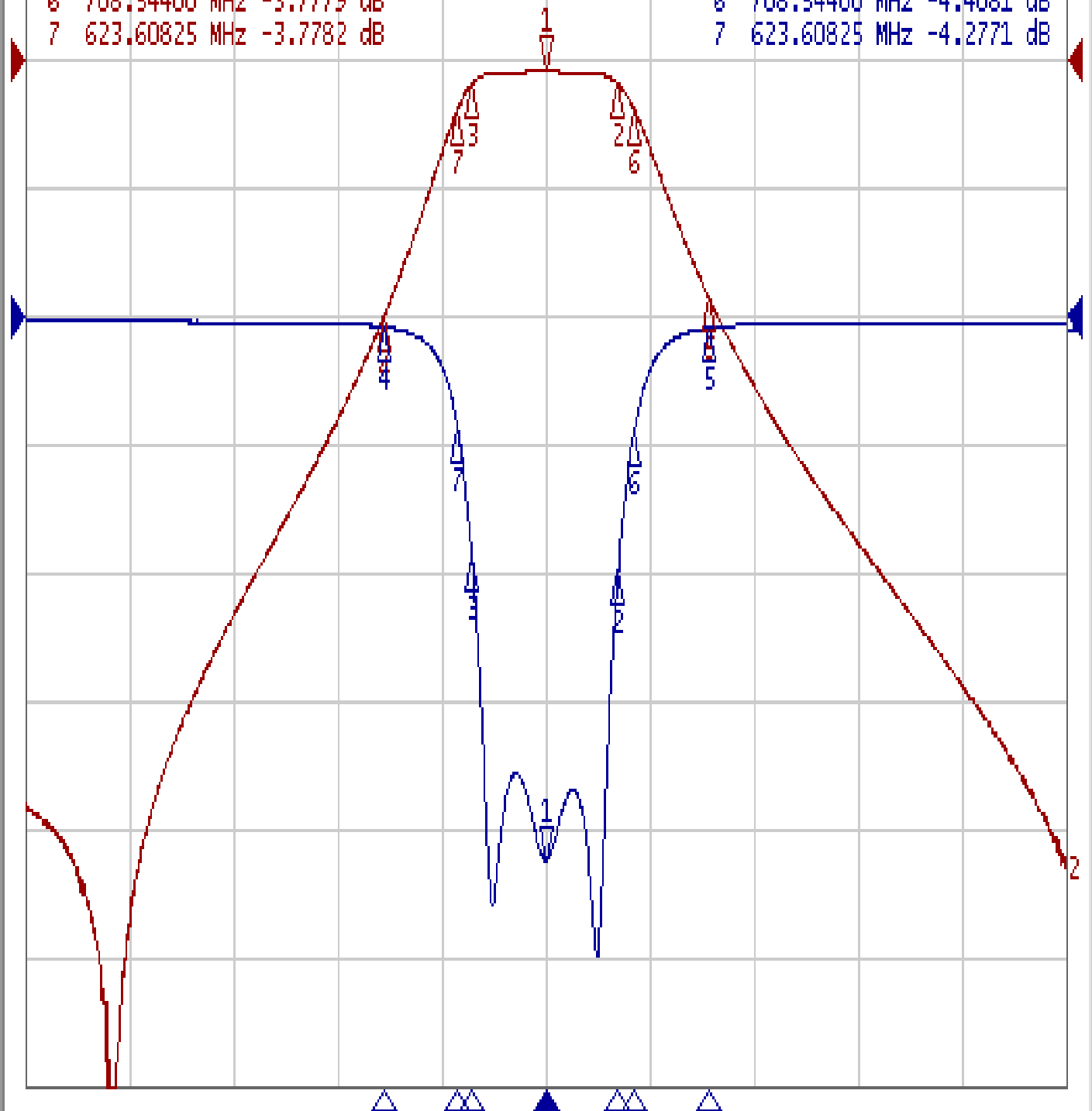
Performance-TT63329E-666M

200903085BD

Tr1 S11 Log Mag 5.000dB/ Ref 0.000dB [F3]
Tr2 S21 Log Mag 10.00dB/ Ref 0.000dB [F3]

1	666.00000	MHz	-0.8129	dB
2	700.91550	MHz	-1.7961	dB
3	630.47150	MHz	-1.7799	dB
4	588.00000	MHz	-20.030	dB
5	744.00000	MHz	-18.368	dB
6	708.54400	MHz	-3.7779	dB
7	623.60825	MHz	-3.7782	dB

>1	666.00000	MHz	-21.183	dB
2	700.91550	MHz	-9.8925	dB
3	630.47150	MHz	-9.3192	dB
4	588.00000	MHz	-0.3775	dB
5	744.00000	MHz	-0.4147	dB
6	708.54400	MHz	-4.4081	dB
7	623.60825	MHz	-4.2771	dB



1 Center 666 MHz

IFBW 10 kHz

Span 500 MHz

