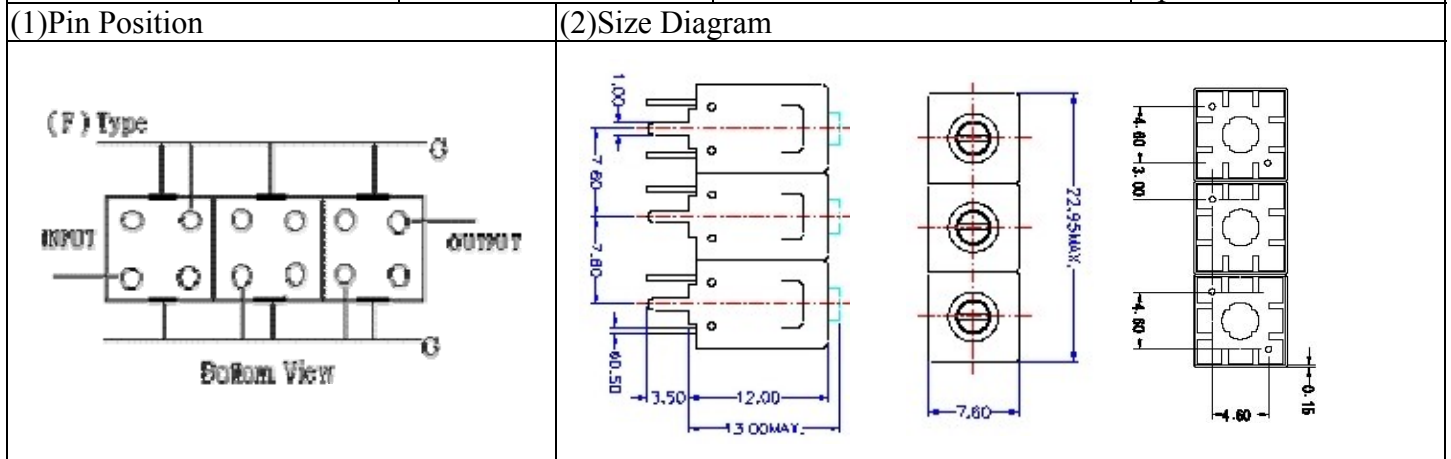


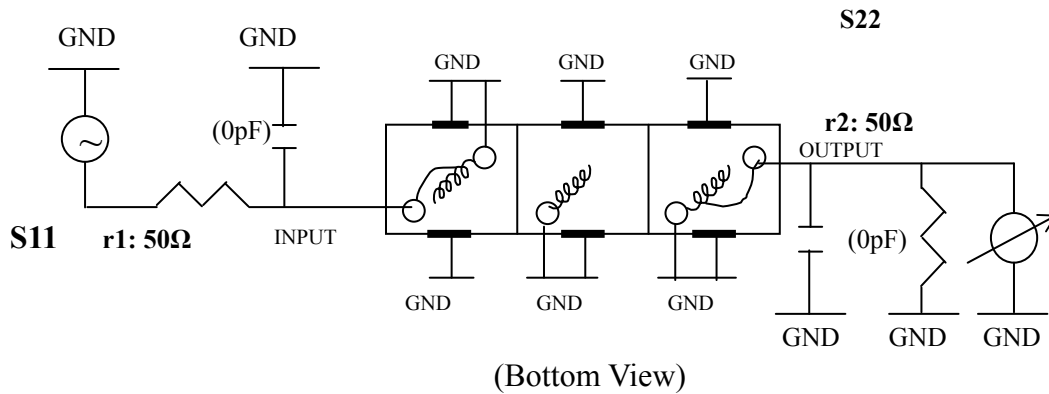
VHF UHF Helical Filter Specification Sheet

Customer Name		Temwell's Part No.	TT63331F-666M
Approval No. /dated	200903091APR	Temwell's print name	63331F 666M
Work Instruction No.	200903091BD	Date	Apr.09.2009



(3) Electric Characteristic			
Item	Specify	Performance	
Center Freq.(Fo) +/- 0.5 %	666 MHz	666	MHz
Tunable Range:	666±3 MHz	666±3	MHz
Insertion Loss	Typ. 2.0 dB	0.83	dB
-1 dB Bandwidth	Typ. 90 MHz	93.6	MHz
-3 dB Bandwidth	Typ. 108 MHz	111.5	MHz
Sensitivity (Attenuation)	Fo - 102 MHz	Typ. 17	dB
	Fo + 102 MHz	Typ. 16	dB
	Fo - ()MHz	Typ.	dBc
	Fo +()MHz	Typ.	dBc
Return Loss	Min. 12 dB	20.7	dB
Ripple	< 1 dB		dB
Impedance	In / Out : 50 Ω	In / Out : 50 Ω	
(4) Torque for Tuning Screw			
		> 100gf · cm	
(5) Temperature Condition:			
Operating Temperature		0°C ~ +60°C	
Storage Temperature		-20°C ~ +70°C	
(6) Input Power			
		> 1Watt	

(7) Measuring Circuit: ※Easy to match Impedance S11/S22 50Ω by parallel with about (0pF) / (0pF).



Approval	Supervisor	Designer	Aperture size
C.Y.Chang	C.K.Chang	C.S.Chang	7H3(4*7.5F)(7.52) 7H046RB6.5

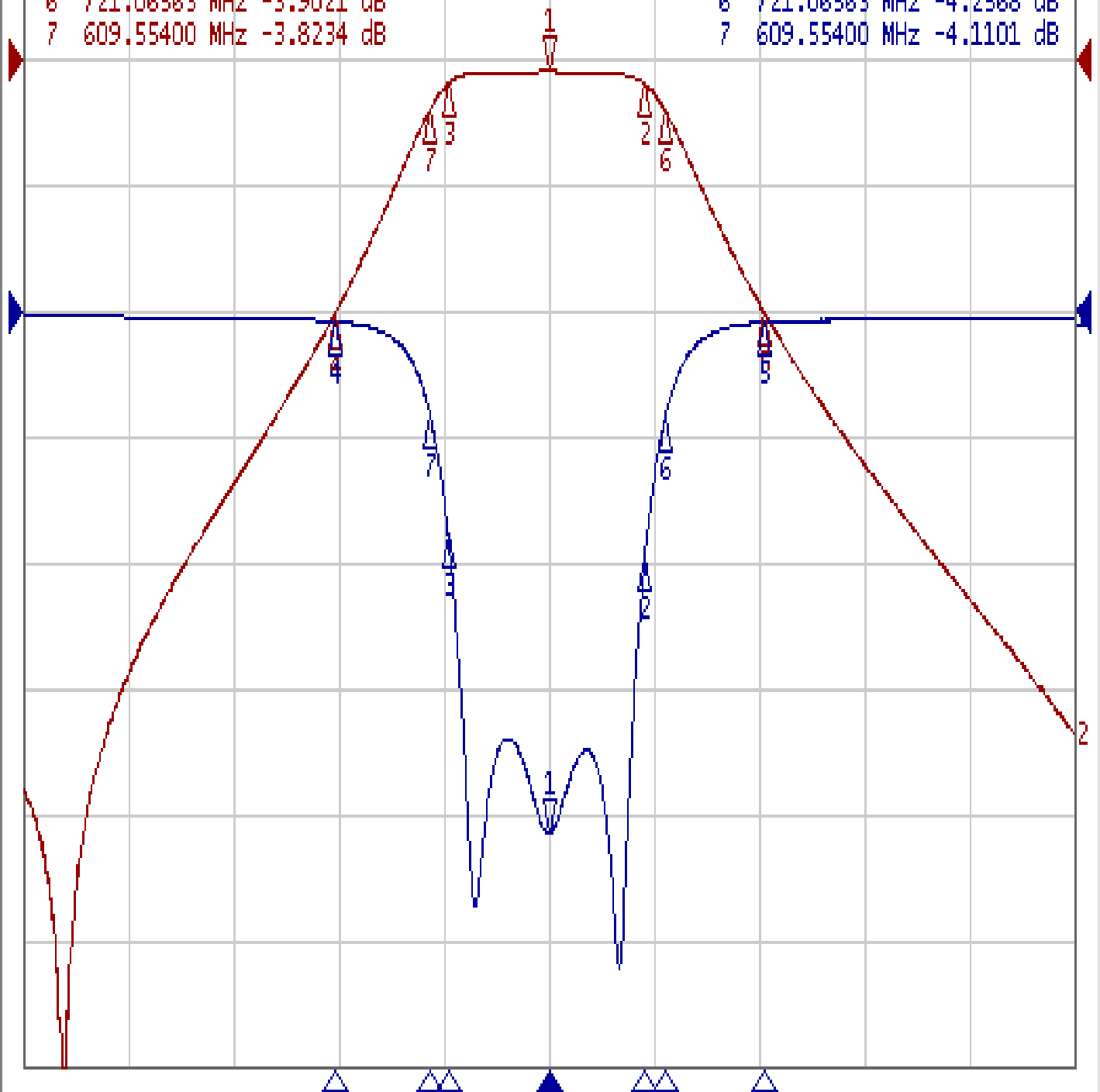
Performance-TT63331F-666M

200903091BD

Tr1 S11 Log Mag 5.000dB/ Ref 0.000dB [F3]
Tr2 S21 Log Mag 10.00dB/ Ref 0.000dB [F3]

1	666.00000 MHz	-0.8334 dB
2	711.65900 MHz	-1.8554 dB
3	618.00125 MHz	-1.8391 dB
4	564.00000 MHz	-20.171 dB
5	768.00000 MHz	-19.915 dB
6	721.06563 MHz	-3.9021 dB
7	609.55400 MHz	-3.8234 dB

>1	666.00000 MHz	-20.721 dB
2	711.65900 MHz	-9.7744 dB
3	618.00125 MHz	-8.8035 dB
4	564.00000 MHz	-0.3663 dB
5	768.00000 MHz	-0.3915 dB
6	721.06563 MHz	-4.2568 dB
7	609.55400 MHz	-4.1101 dB



1 Center 666 MHz

IFBW 10 kHz

Span 500 MHz

C?