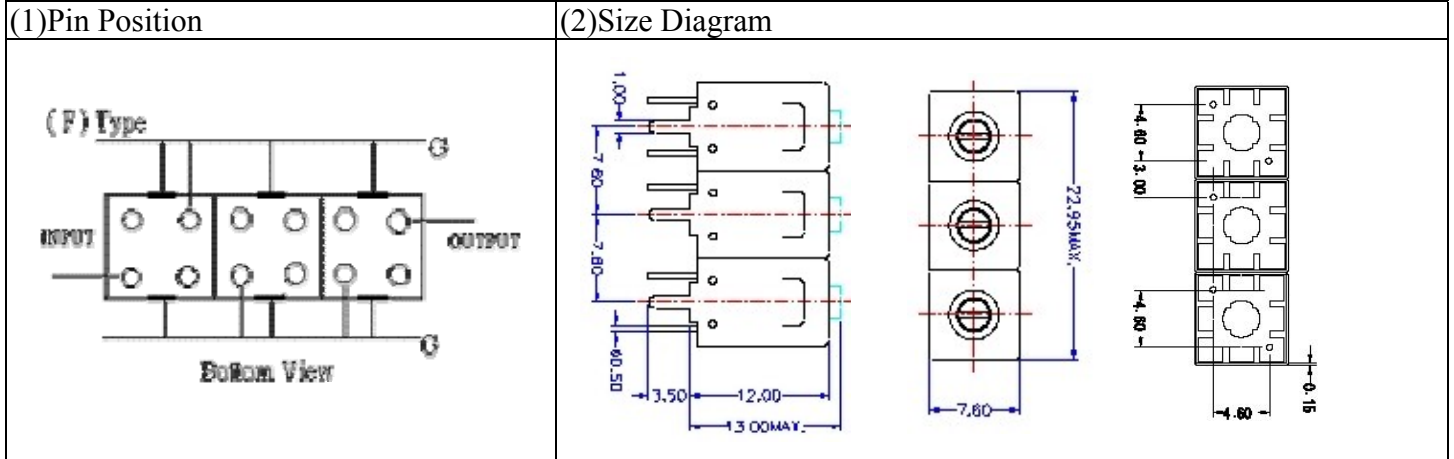


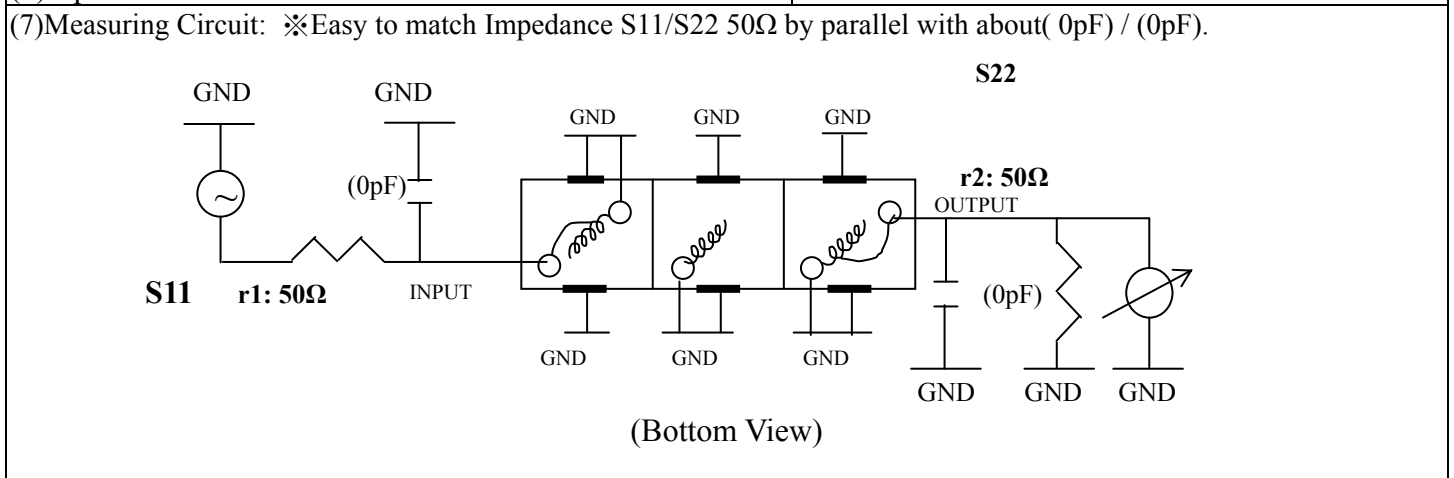
VHF UHF Helical Filter Specification Sheet

Customer Name		Temwell's Part No.	TT63333F-666M
Approval No. /dated	200903095APR	Temwell's print name	63333F 666M
Work Instruction No.	200903095BD	Date	Apr.13.2009



(3) Electric Characteristic			
Item	Specify		Performance
Center Freq.(Fo) +/- 0.5 %	666 MHz		666 MHz
Tunable Range:	666±3 MHz		666±3 MHz
Insertion Loss	Typ. 2.0 dB		0.65 dB
-1 dB Bandwidth	Typ. 114 MHz		120.8 MHz
-3 dB Bandwidth	Typ. 135 MHz		141.0 MHz
Sensitivity (Attenuation)	Fo - 126 MHz	Typ. 18 dB	21 dB
	Fo + 126 MHz	Typ. 16 dB	19 dB
	Fo - ()MHz	Typ. dBc	dBc
	Fo +()MHz	Typ. dBc	dBc
Return Loss	Min. 12 dB		24.9 dB
Ripple	< 1 dB		dB
Impedance	In / Out : 50 Ω		In / Out : 50 Ω
(4) Torque for Tuning Screw	> 100gf · cm		

(5) Temperature Condition:	
Operating Temperature	0°C ~ +60°C
Storage Temperature	-20°C ~ +70°C
(6) Input Power	> 1Watt



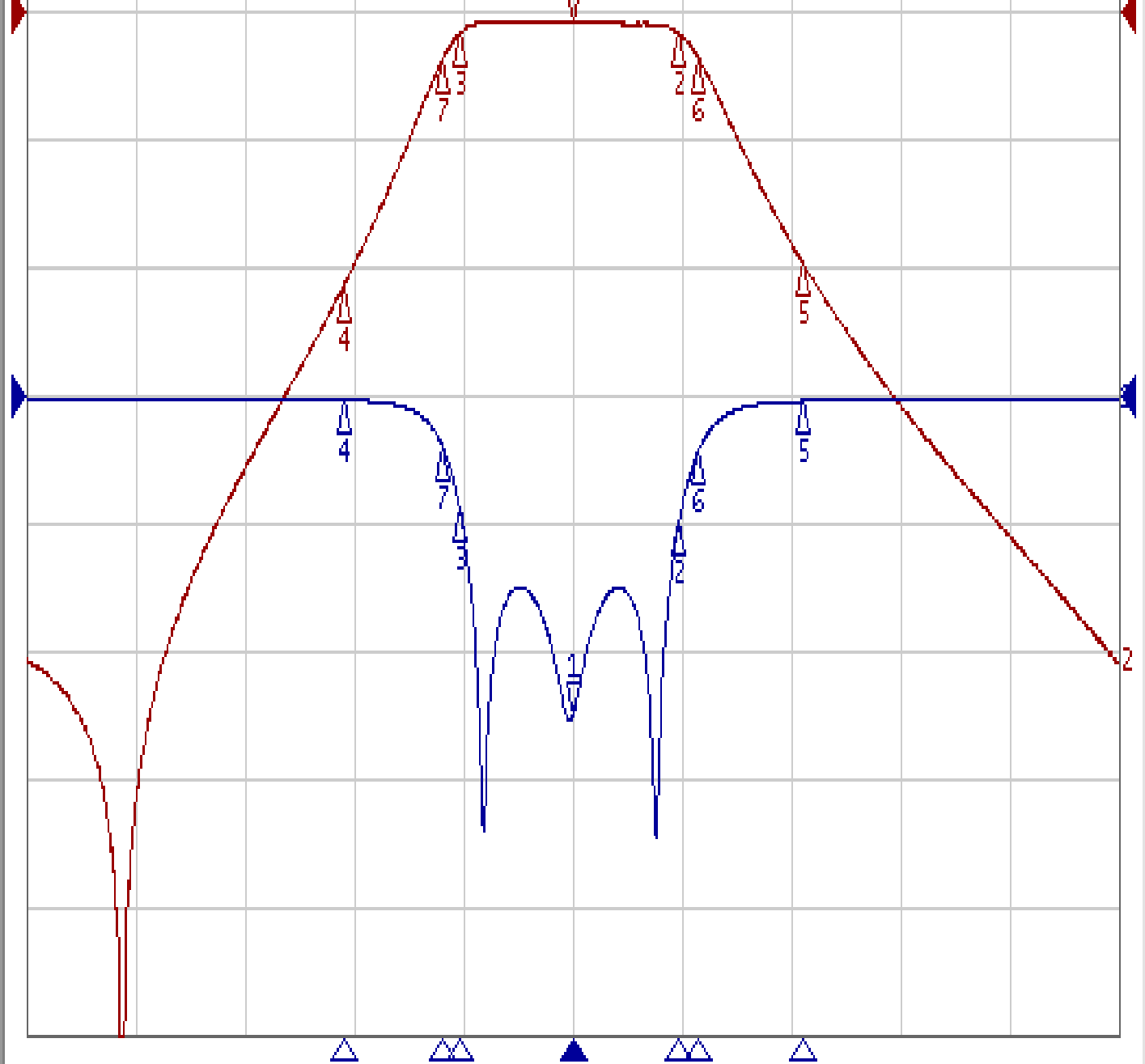
Approval	Supervisor	Designer	Aperture size
C.Y.Chang	C.K.Chang	C.S.Chang	7H3(4*7.5F)(7.56) 7H046RB6.5

Performance-TT63333F-666M

200903095BD

▶ Tr1 S11 Log Mag 10.00dB/ Ref 0.000dB [F3]
Tr2 S21 Log Mag 10.00dB/ Ref 0.000dB [F3]

1	666.00000 MHz	-0.6564 dB	>1	666.00000 MHz	-24.939 dB
2	724.58800 MHz	-1.6357 dB	2	724.58800 MHz	-9.7781 dB
3	603.74850 MHz	-1.6337 dB	3	603.74850 MHz	-8.6939 dB
4	540.00000 MHz	-21.436 dB	4	540.00000 MHz	-0.3102 dB
5	792.00000 MHz	-19.483 dB	5	792.00000 MHz	-0.3903 dB
6	735.52200 MHz	-3.6754 dB	6	735.52200 MHz	-4.1615 dB
7	594.50100 MHz	-3.6741 dB	7	594.50100 MHz	-3.9233 dB



1 Center 666 MHz

IFBW 10 kHz

Span 600 MHz

