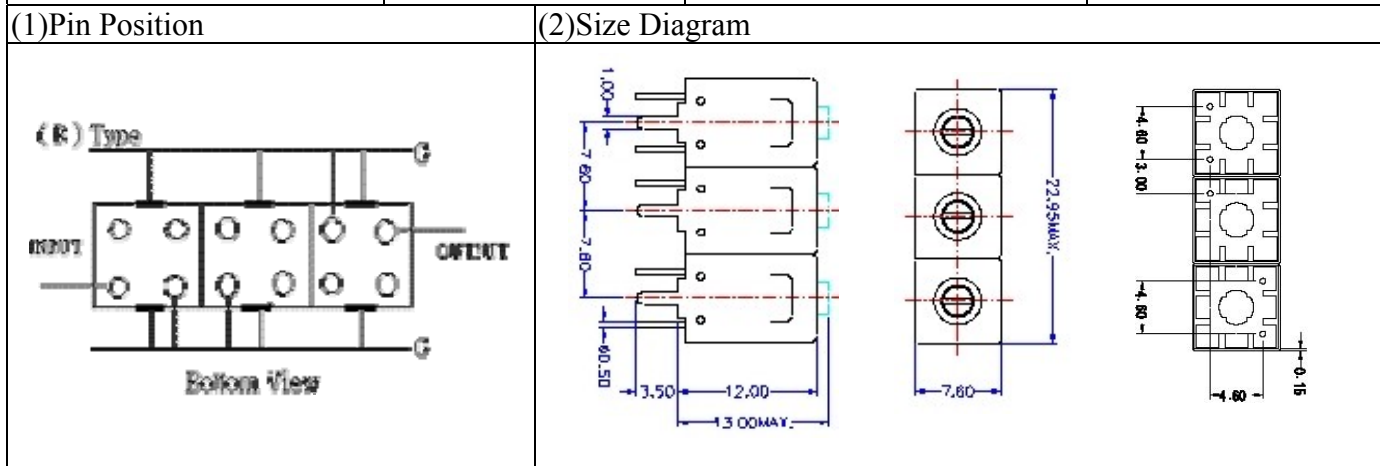


VHF UHF Helical Filter Specification Sheet

Customer Name		Temwell's Part No.	TT63334B-883M
Approval No. /dated	0903152D	Temwell's Print name.	63334B 145M
Work Instruction No.	200903152D	Date	Feb.17.2009



(3) Electric Characteristic

Item	Specify	Performance
Center Freq.(Fo) +/- 0.5 %	883 MHz	883 MHz
Insertion Loss	Typ. 2.0 dB	0.93 dB
-3 dB Bandwidth	Typ. 140 MHz	158.6 MHz
Sensitivity (Attenuation)	Fo - (300) MHz	Typ. 60 dBc
	Fo + (300) MHz	Typ. 25 dBc
	Fo - () MHz	Typ. dBc
	Fo + () MHz	Typ. dBc
Return Loss	Min. 12 dB	20.0 dB
Ripple	< 1 dB	
Impedance	In / Out : 50 Ω	In / Out : 50 Ω
(4) Torque for Tuning Screw	> 60gf • cm	

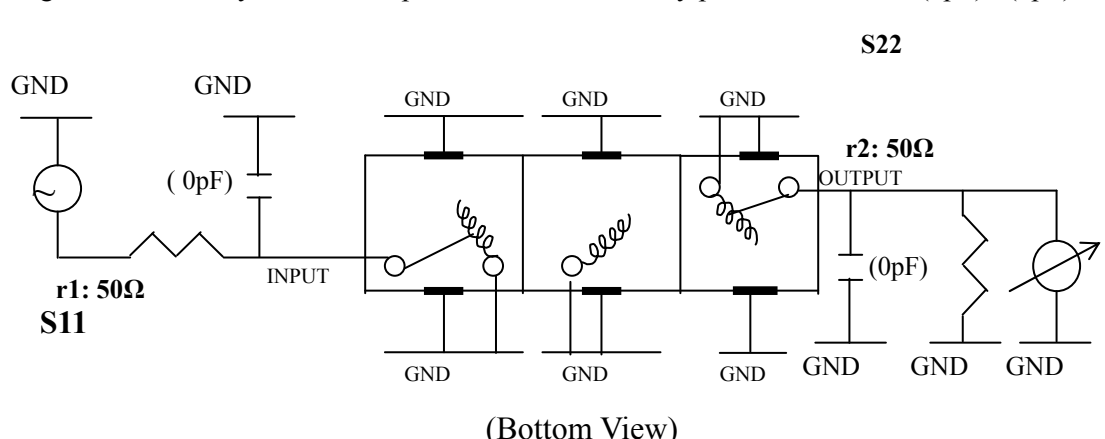
(5) Temperature Condition:

Operating Temperature	0°C ~ +20°C
Storage Temperature	-20°C ~ +60°C

(6) Input Power

> 1Watt

(7) Measuring Circuit: ※Easy to match Impedance S11/S22 50Ω by parallel with about(0pF) / (0pF).



Approval	Supervisor	Designer	Aperture size
C.Y.Chang	C.K.Chang	P.H.Chiang	7H3S(4*8.0)(8.02) (7H046RB6.5)

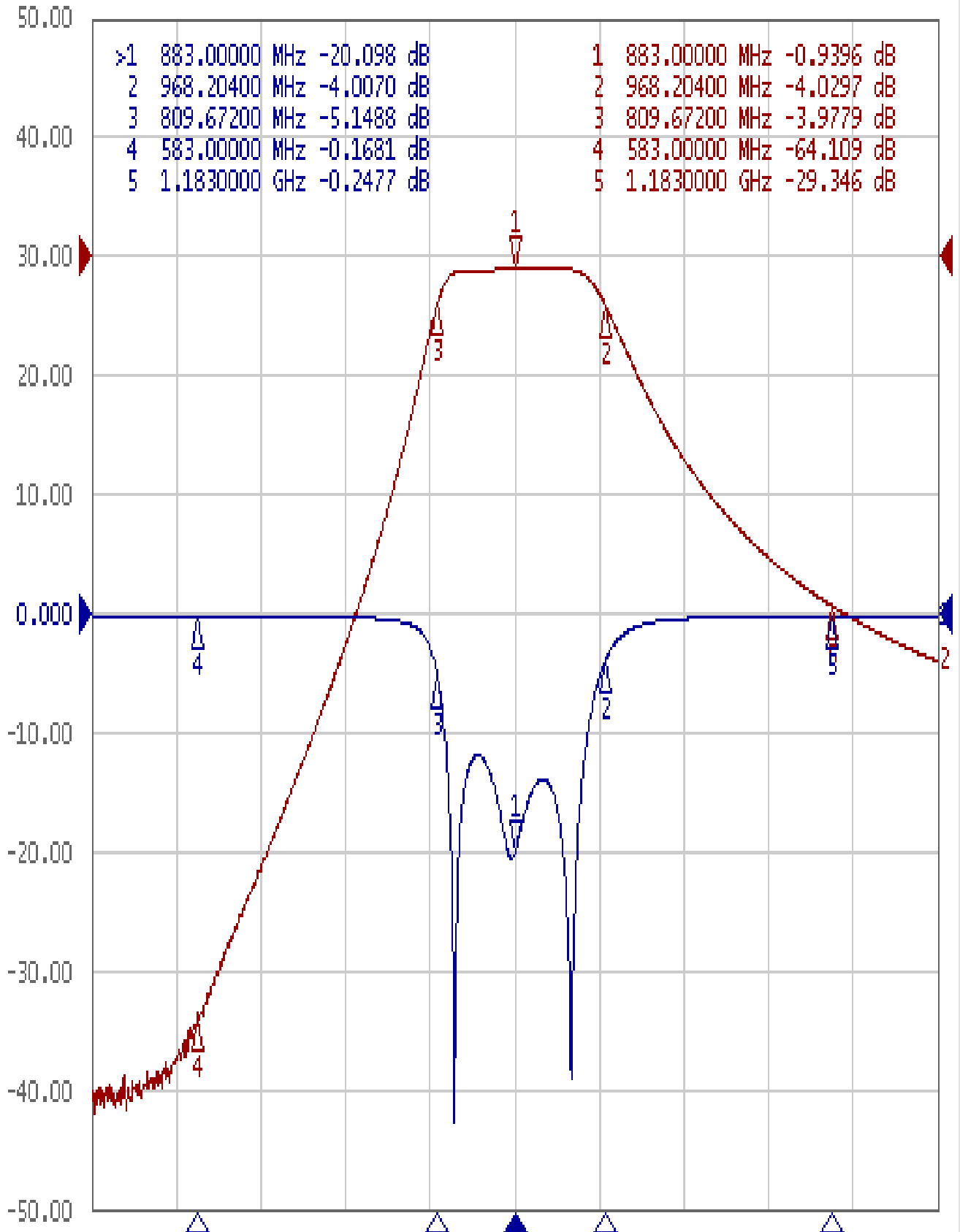
TEMWELL CORPORATION

Performance-TT63334B-883M

200903152D

Tr1 S11 Log Mag 10.00dB/ Ref 0.000dB [F2]

Tr2 S21 Log Mag 10.00dB/ Ref 0.000dB [F2]



1 Center 883 MHz

IFBW 10 kHz

Span 800 MHz Cor !