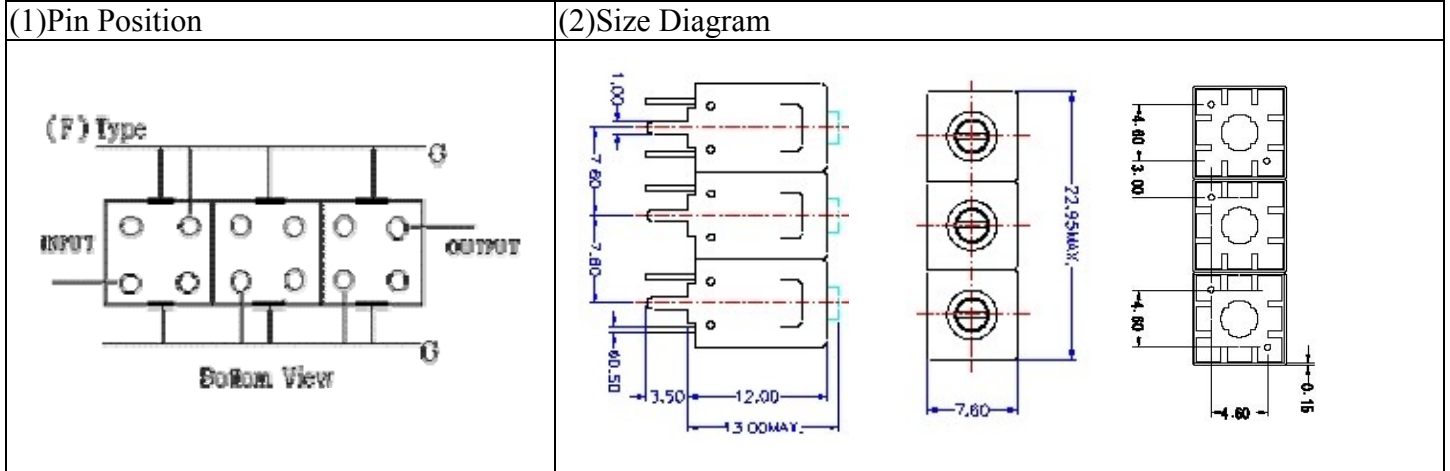


VHF UHF Helical Filter Specification Sheet

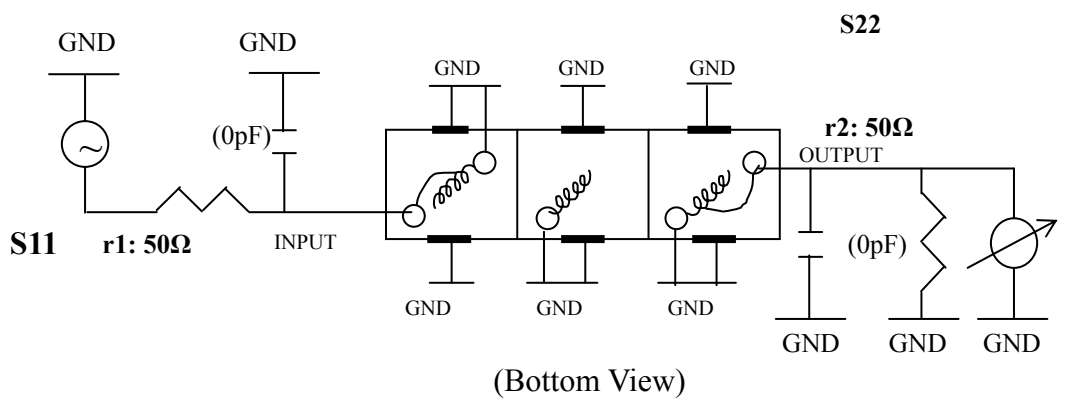
Customer Name		Temwell's Part No.	TT63335F-480M
Approval No. /dated	0905016CD	Temwell's print name	63335F 480M
Work Instruction No.	200905016CD	Date	Jun.08.2009



(3) Electric Characteristic			
Item	Specify	Performance	
Center Freq.(Fo) +/- 0.5 %	480 MHz	480	MHz
Insertion Loss	Typ. 1.5 dB	0.54	dB
-3 dB Bandwidth	Typ. 120 MHz	123.0	MHz
Sensitivity (Attenuation)	Fo - 200 MHz	Typ. 55	dBc
	Fo + 200 MHz	Typ. 25	dBc
	Fo - ()MHz	Typ.	dBc
	Fo +()MHz	Typ.	dBc
Return Loss	Min. 12 dB	26.6	dB
Ripple	< 1 dB		dB
Impedance	In / Out : 50 Ω	In / Out : 50 Ω	
(4) Torque for Tuning Screw	> 100gf · cm		

(5) Temperature Condition:	
Operating Temperature	0°C ~ +60°C
Storage Temperature	-20°C ~ +70°C
(6) Input Power	> 1Watt

(7) Measuring Circuit: ※Easy to match Impedance S11/S22 50Ω by parallel with about(0pF) / (0pF).



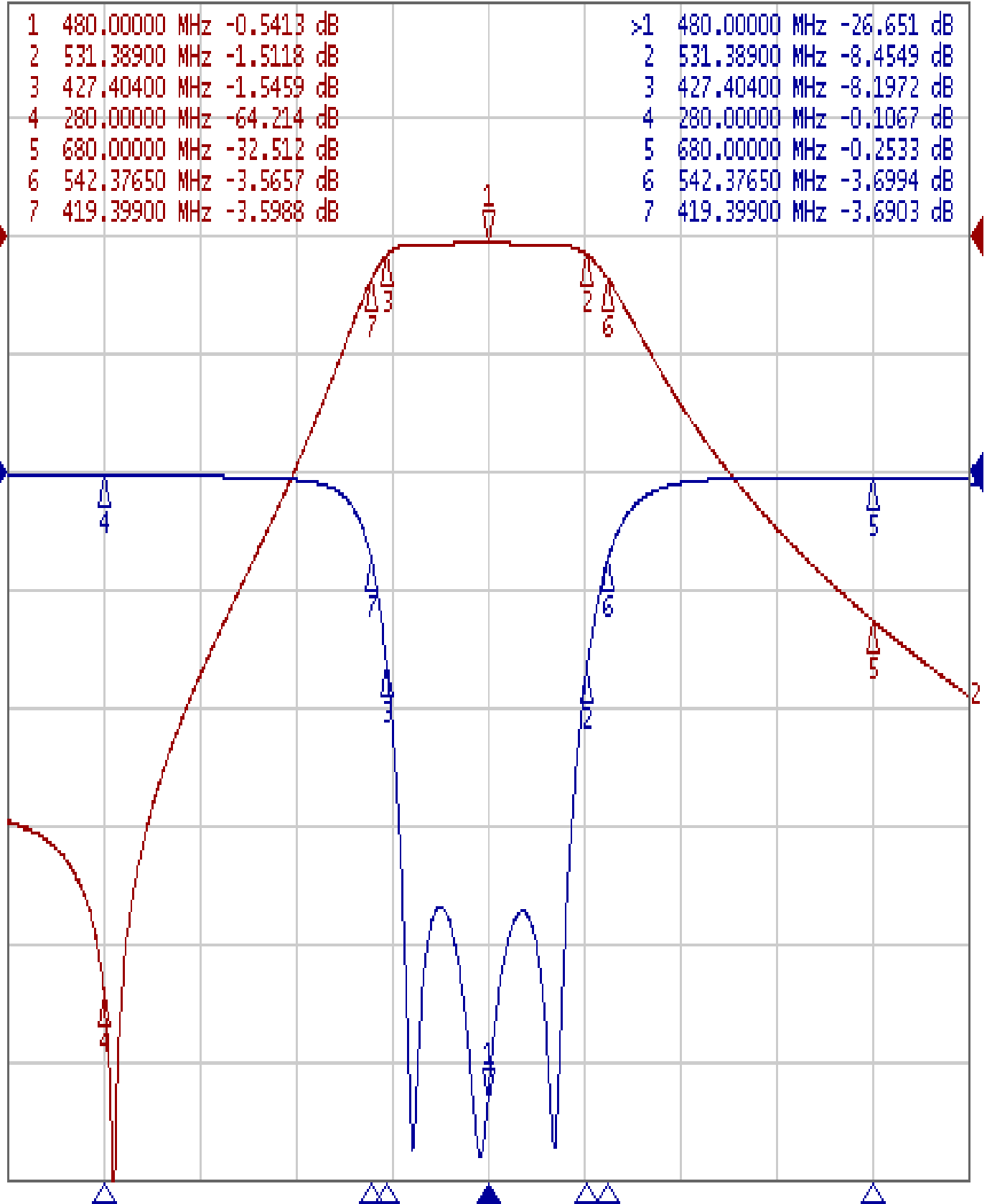
Approval C.Y.Chang	Supervisor C.K.Chang	Designer C.S.Chang	Aperture size 7H3(4*8.0F)(8.10) 7H046RB6.5
-----------------------	-------------------------	-----------------------	--

TEMWELL CORPORATION

Performance-TT63335F-480M

200905016CD

Tr1 S11 Log Mag 5.000dB/ Ref 0.000dB [F3]
Tr2 S21 Log Mag 10.000dB/ Ref 0.000dB [F3]



1 Center 480 MHz

IFBW 10 kHz

Span 500 MHz

