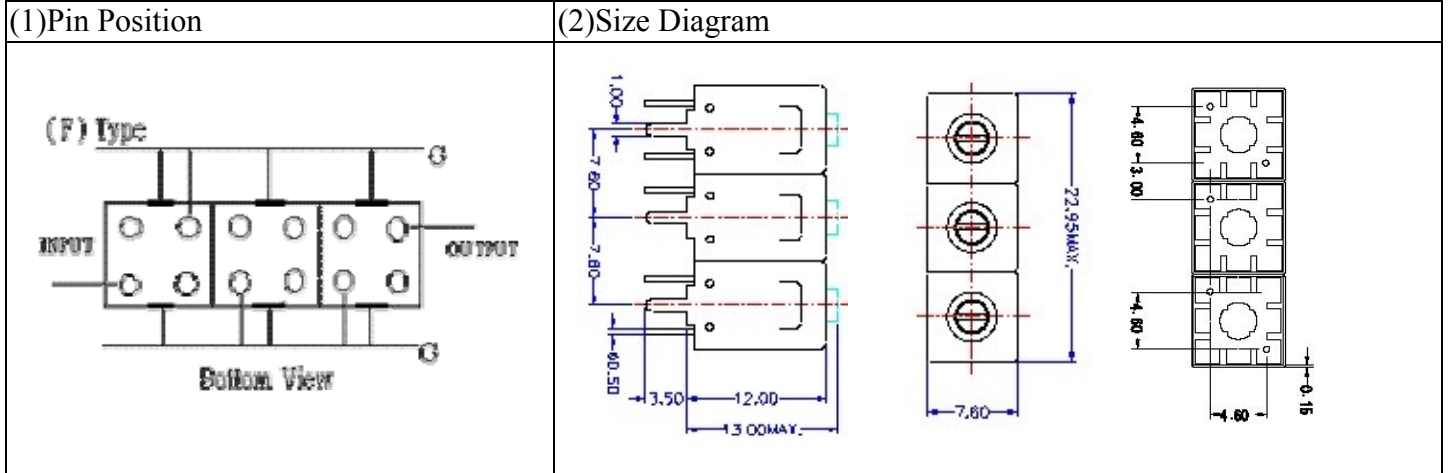


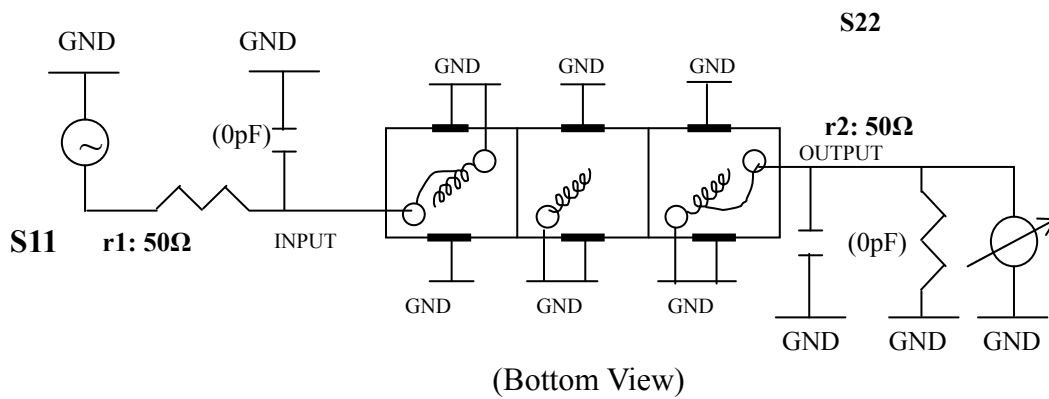
VHF UHF Helical Filter Specification Sheet

Customer Name		Temwell's Part No.	TT63336F-575M
Approval No. /dated	0905017CD	Temwell's print name	63336F 575M
Work Instruction No.	200905017CD	Date	Jun.08.2009



(3) Electric Characteristic			
Item	Specify	Performance	
Center Freq.(Fo) +/- 0.5 %	575 MHz	575	MHz
Insertion Loss	Typ. 1.5 dB	0.58	dB
-3 dB Bandwidth	Typ. 120 MHz	123.4	MHz
Sensitivity (Attenuation)	Fo - 200 MHz	Typ. 43	dBc
	Fo + 200 MHz	Typ. 25	dBc
	Fo - ()MHz	Typ.	dBc
	Fo +()MHz	Typ.	dBc
Return Loss	Min. 12 dB	27.9	dB
Ripple	< 1 dB		dB
Impedance	In / Out : 50 Ω	In / Out : 50 Ω	
(4) Torque for Tuning Screw	> 100gf · cm		
(5) Temperature Condition:			
Operating Temperature	0°C ~ +60°C		
Storage Temperature	-20°C ~ +70°C		
(6) Input Power	> 1Watt		

(7) Measuring Circuit: ※Easy to match Impedance S11/S22 50Ω by parallel with about(0pF) / (0pF).



Approval	Supervisor	Designer	Aperture size
C.Y.Chang	C.K.Chang	C.S.Chang	7H3(4*7.5F)(7.52) 7H046RB6.5

TEMWELL CORPORATION

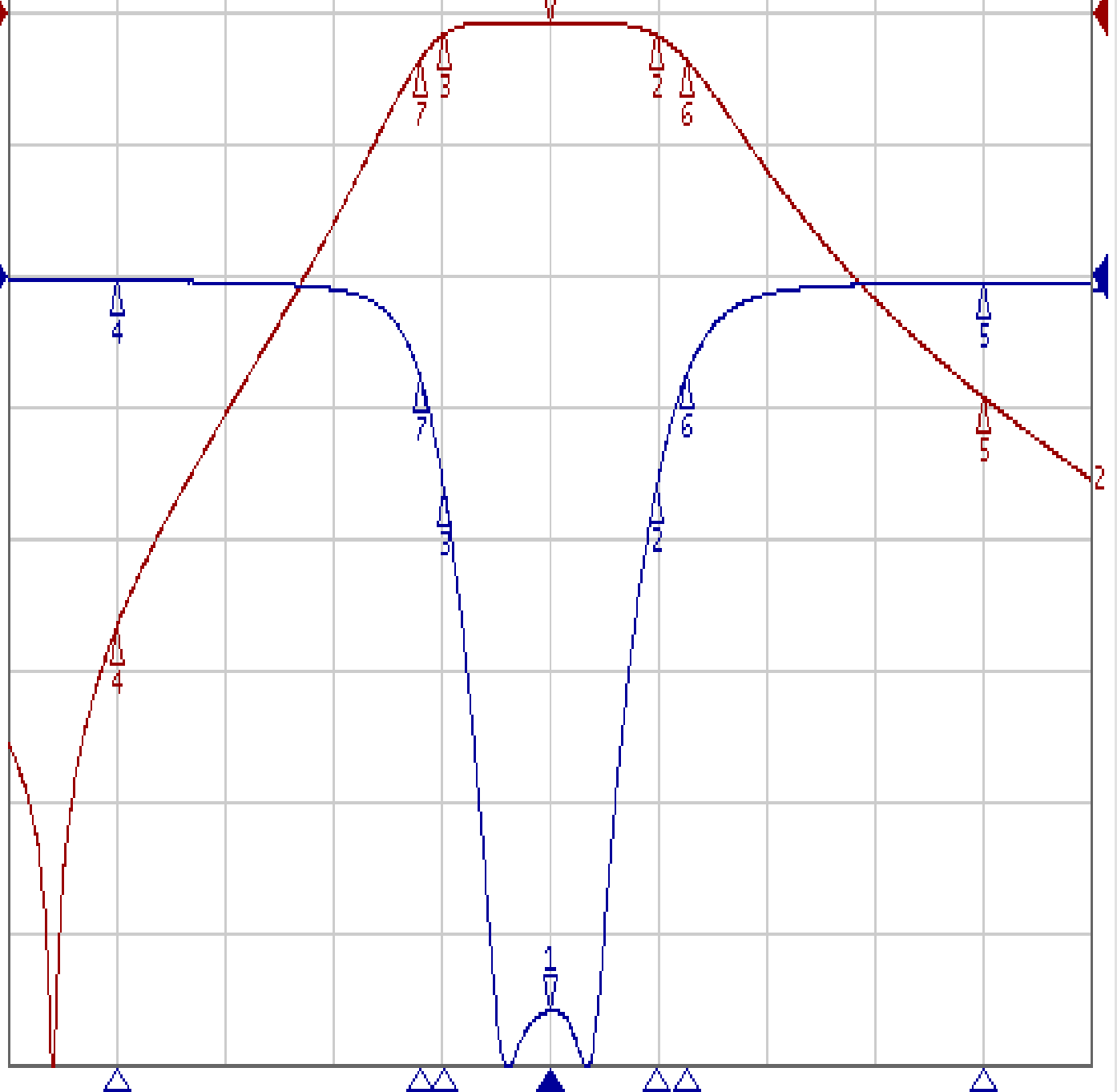
Performance-TT63336F-575M

200905017CD

Tr1 S11 Log Mag 5.000dB/ Ref 0.000dB [F3]
Tr2 S21 Log Mag 10.00dB/ Ref 0.000dB [F3]

1	575.00000 MHz	-0.5850 dB
2	624.44713 MHz	-1.6053 dB
3	526.46588 MHz	-1.5318 dB
4	375.00000 MHz	-46.802 dB
5	775.00000 MHz	-29.132 dB
6	638.43650 MHz	-3.5308 dB
7	515.05600 MHz	-3.5263 dB

>1	575.00000 MHz	-27.979 dB
2	624.44713 MHz	-8.0442 dB
3	526.46588 MHz	-8.1382 dB
4	375.00000 MHz	-0.1631 dB
5	775.00000 MHz	-0.2753 dB
6	638.43650 MHz	-3.7118 dB
7	515.05600 MHz	-3.7597 dB



1 Center 575 MHz

IFBW 10 kHz

Span 500 MHz

