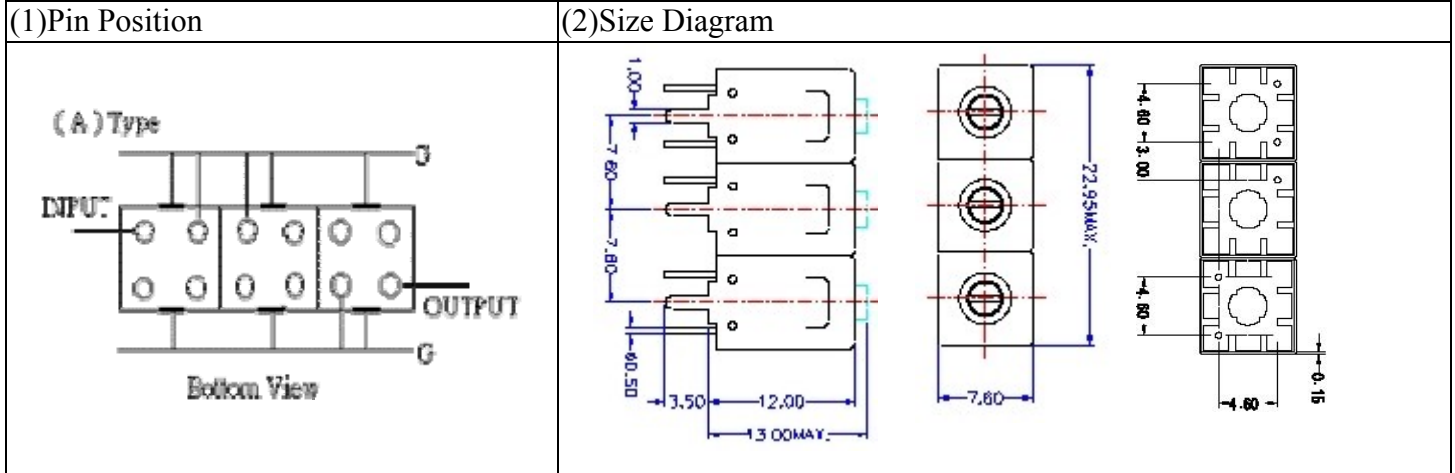


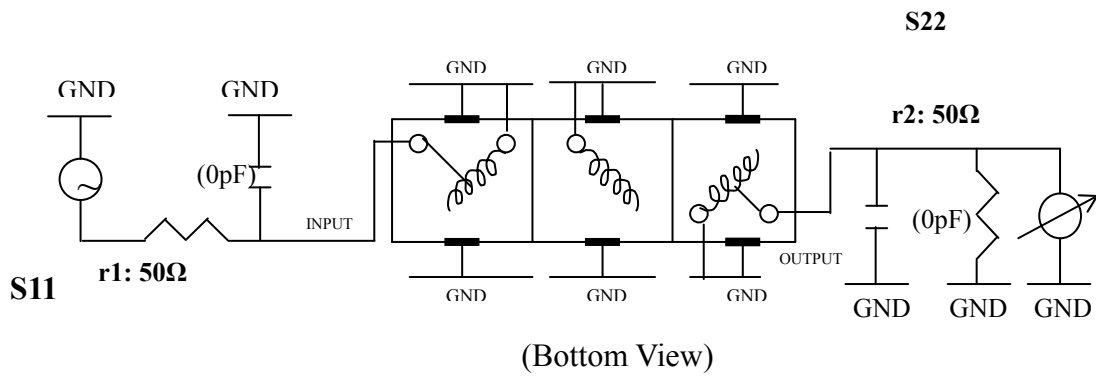
VHF UHF Helical Filter Specification Sheet

Customer Name		Temwell's Part No.	TT63346A-829M
Approval No. /dated	0906119APR	Customer's Print Name.	63346A 829M
Work Instruction No.	200906119BD	Date	Jun.24.2009



(3)Electric Characteric			
Item	Specify	Performance	
Center Freq.(Fo) +/- 0.5 %	829 MHz	829 MHz	
Insertion Loss	Typ. 2.5 dB	1.71 dB	
-3 dB Bandwidth	Typ. 35 MHz	42.0 MHz	
Sensitivity (Attenuation)	Fo - 50 MHz	Typ. 27 dBc	30 dBc
	Fo + 50 MHz	Typ. 18 dBc	21 dBc
	Fo - ()MHz	Typ. dBc	dBc
	Fo +()MHz	Typ. dBc	dBc
Return Loss	Min. 12 dB	22.0 dB	
Ripple	< 1 dB	dB	
Impedance	In / Out : 50 Ω	In / Out : 50 Ω	
(4)Torque for Tuning Screw		> 100gf • cm	
(5)Temperature Condition:			
Operating Temperature		0°C ~ +60°C	
Storage Temperature		-20°C ~ +70°C	
(6)Input Power		> 1Watt	

(7)Measuring Circuit: ※Easy to match Impedance S11/S22 50Ωby parallel with about(0pF) / (0pF).



Approval	Supervisor	Designer	Aperture size
C.Y.Chang	C.K.Chang	C.S.Chang	7H3S(4*7.5)(7.58) (7H046LB4.3 聚 3)

TEMWELL CORPORATION

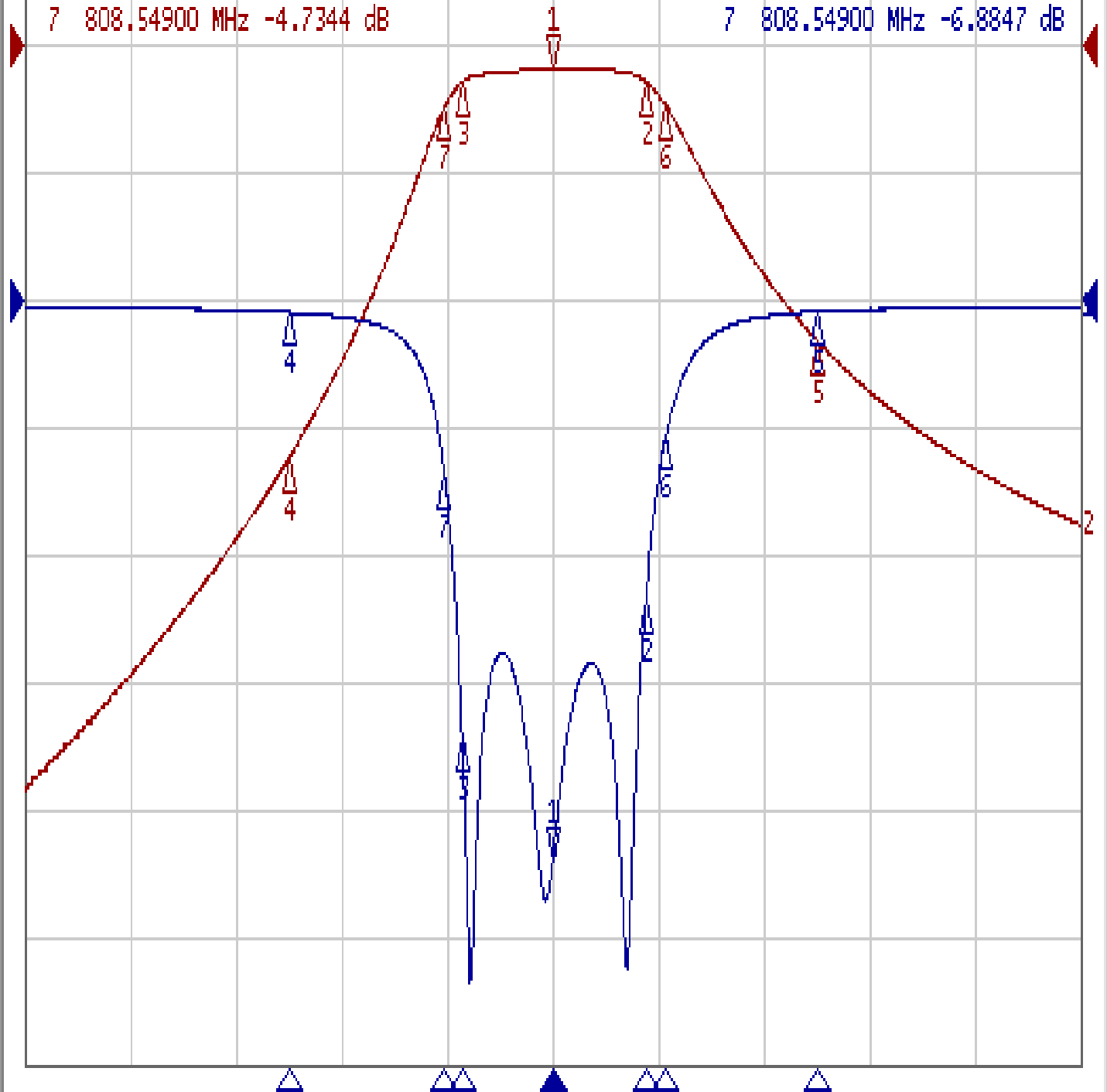
Performance-TT63346A-829M

200906119BD

▶ Tr1 S11 Log Mag 5.000dB/ Ref 0.000dB [F4]
Tr2 S21 Log Mag 10.00dB/ Ref 0.000dB [F4]

1	829.00000 MHz	-1.7143 dB
2	846.67350 MHz	-2.7567 dB
3	811.85175 MHz	-2.7885 dB
4	779.00000 MHz	-32.323 dB
5	879.00000 MHz	-23.061 dB
6	850.57600 MHz	-4.7525 dB
7	808.54900 MHz	-4.7344 dB

>1	829.00000 MHz	-22.018 dB
2	846.67350 MHz	-11.689 dB
3	811.85175 MHz	-17.179 dB
4	779.00000 MHz	-0.4453 dB
5	879.00000 MHz	-0.4041 dB
6	850.57600 MHz	-5.2006 dB
7	808.54900 MHz	-6.8847 dB



1 Center 829 MHz

IFBW 10 kHz

Span 200 MHz

