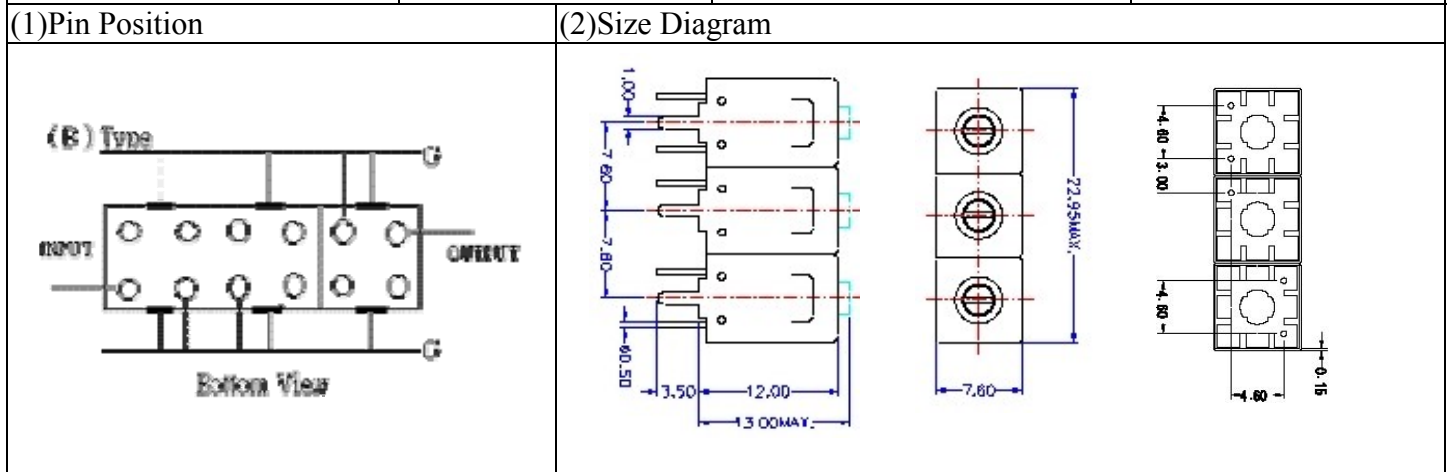


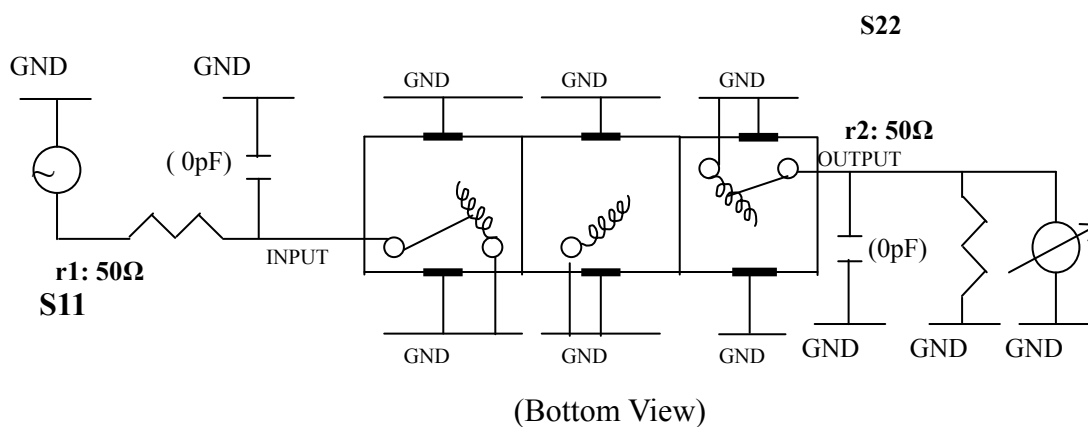
VHF UHF Helical Filter Specification Sheet

Customer Name		Temwell's Part No.	TT63348B-375M
Approval No. /dated	0910043CD	Temwell's Print name.	63348B 375M
Work Instruction No.	200910043CD	Date	Oct.09.2009



(3) Electric Characteristic			
Item	Specify	Performance	
Center Freq.(Fo) +/- 0.5 %	375 MHz	375	MHz
Insertion Loss	Typ. 1.5 dB	0.67	dB
-3 dB Bandwidth	Typ. 100 MHz	104	MHz
Sensitivity (Attenuation)	Fo - 150 MHz	Typ. 50	dBc
	Fo + 150 MHz	Typ. 21	dBc
	Fo - () MHz	Typ.	dBc
	Fo + () MHz	Typ.	dBc
Return Loss	Min. 12 dB	43.3	dB
Ripple	< 1 dB		dB
Impedance	In / Out : 50 Ω	In / Out : 50 Ω	
(4) Torque for Tuning Screw		> 60gf · cm	
(5) Temperature Condition:			
Operating Temperature		0°C ~ +60°C	
Storage Temperature		-20°C ~ +70°C	
(6) Input Power		> 1Watt	

(7) Measuring Circuit: ※Easy to match Impedance S11/S22 50Ωby parallel with about(0pF) / (0pF).



Approval	Supervisor	Designer	Aperture size
C.Y.Chang	C.K.Chang	P.H.Chiang	7H3S(4*8.0)(8.02) (7H046RB6.5)

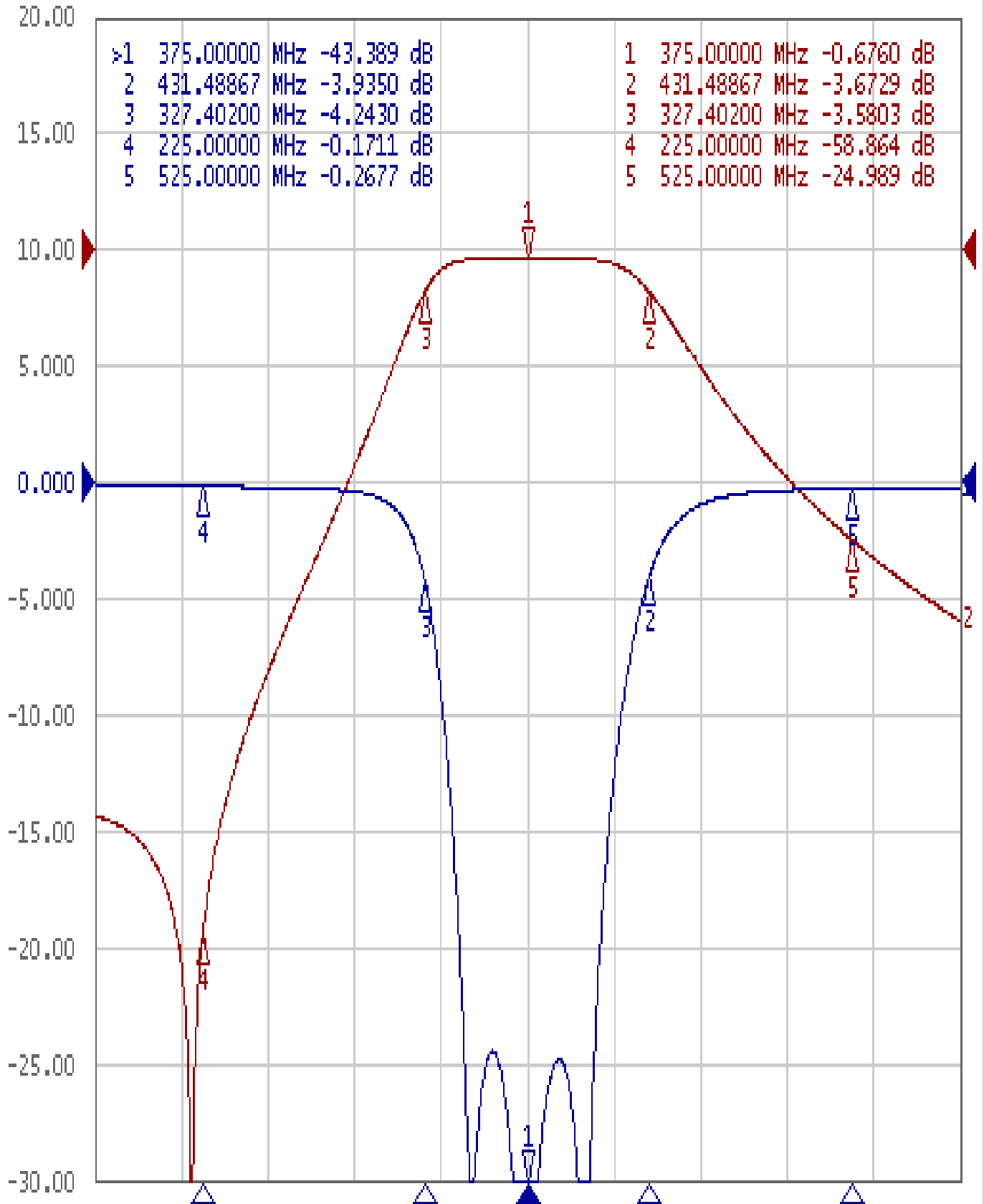
TEMWELL CORPORATION

Performance-TT63348B-375M

200910043CD

▶ Tr1 S11 Log Mag 5.000dB/ Ref 0.000dB [F2]

Tr2 S21 Log Mag 10.00dB/ Ref 0.000dB [F2]



1 Center 375 MHz

IFBW 10 kHz

Span 400 MHz

Cor !