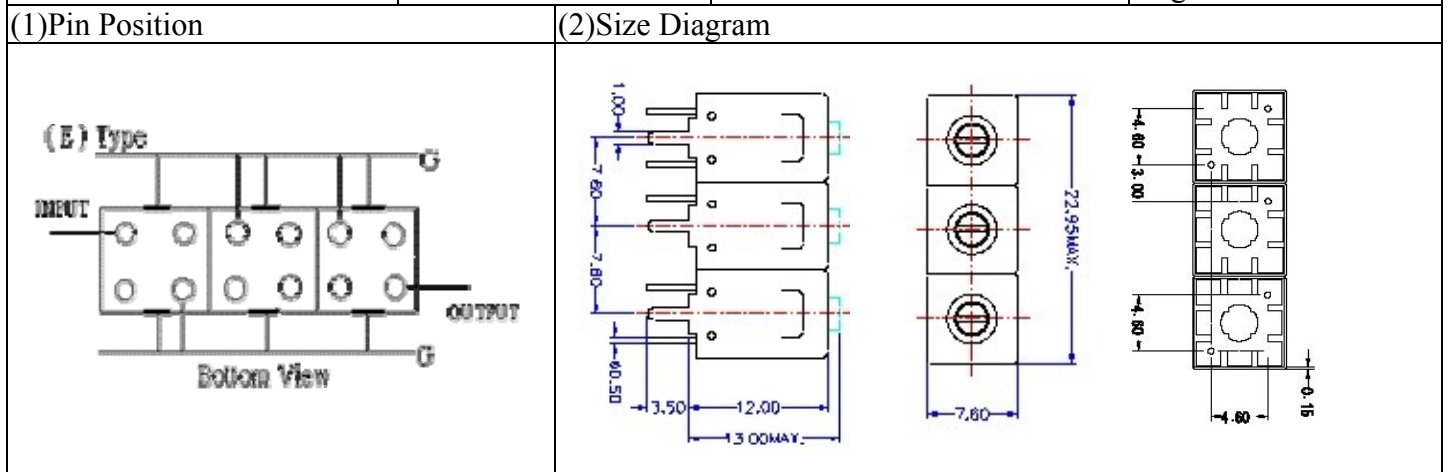


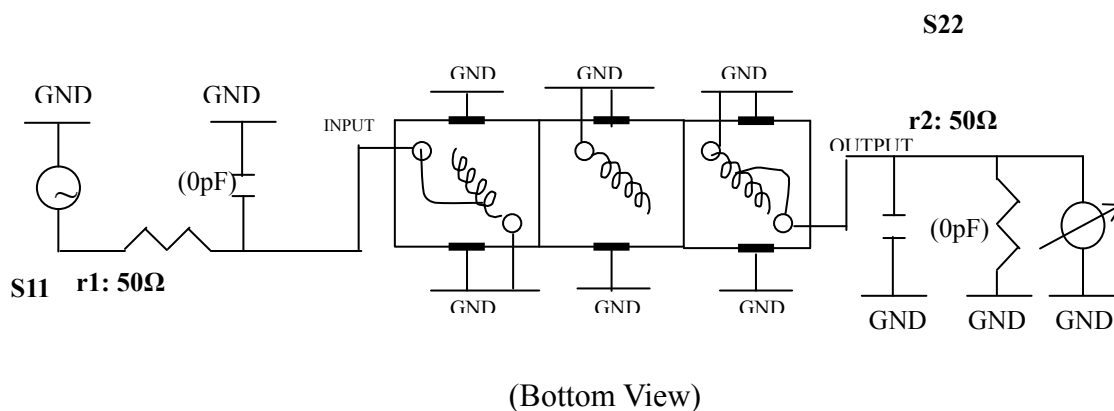
VHF UHF Helical Filter Specification Sheet

Customer Name		Temwell's Part No.	TT63348E-805M
Approval No. /dated	0906138CD	Temwell's Print Name.	63348E 805M
Work Instruction No.	200906138CD	Date	Aug.21.2009



(3) Electric Characteristic			
Item	Specify	Performance	
Center Freq.(Fo) +/- 0.5 %	805 MHz	805 MHz	
Insertion Loss	Typ. 2.0 dB	0.69 dB	
-3 dB Bandwidth	Typ. 140 MHz	150.7 MHz	
Sensitivity (Attenuation)	Fo - (200)MHz	Typ. 32 dBc	35 dBc
	Fo +(200)MHz	Typ. 22 dBc	25 dBc
	Fo - ()MHz	Typ. dBc	dBc
	Fo +()MHz	Typ. dBc	dBc
Return Loss	Min. 12 dB	28.6 dB	
Ripple	< 1 dB	dB	
Impedance	In / Out : 50 Ω	In / Out : 50 Ω	
(4) Torque for Tuning Screw			
> 100gf · cm			
(5) Temperature Condition:			
Operating Temperature	0°C ~ +60°C		
Storage Temperature	-20°C ~ +70°C		
(6) Input Power			
> 1Watt			

(7) Measuring Circuit: ※Easy to match Impedance S11/S22 50Ω by parallel with about (0 pF) / (0 pF).

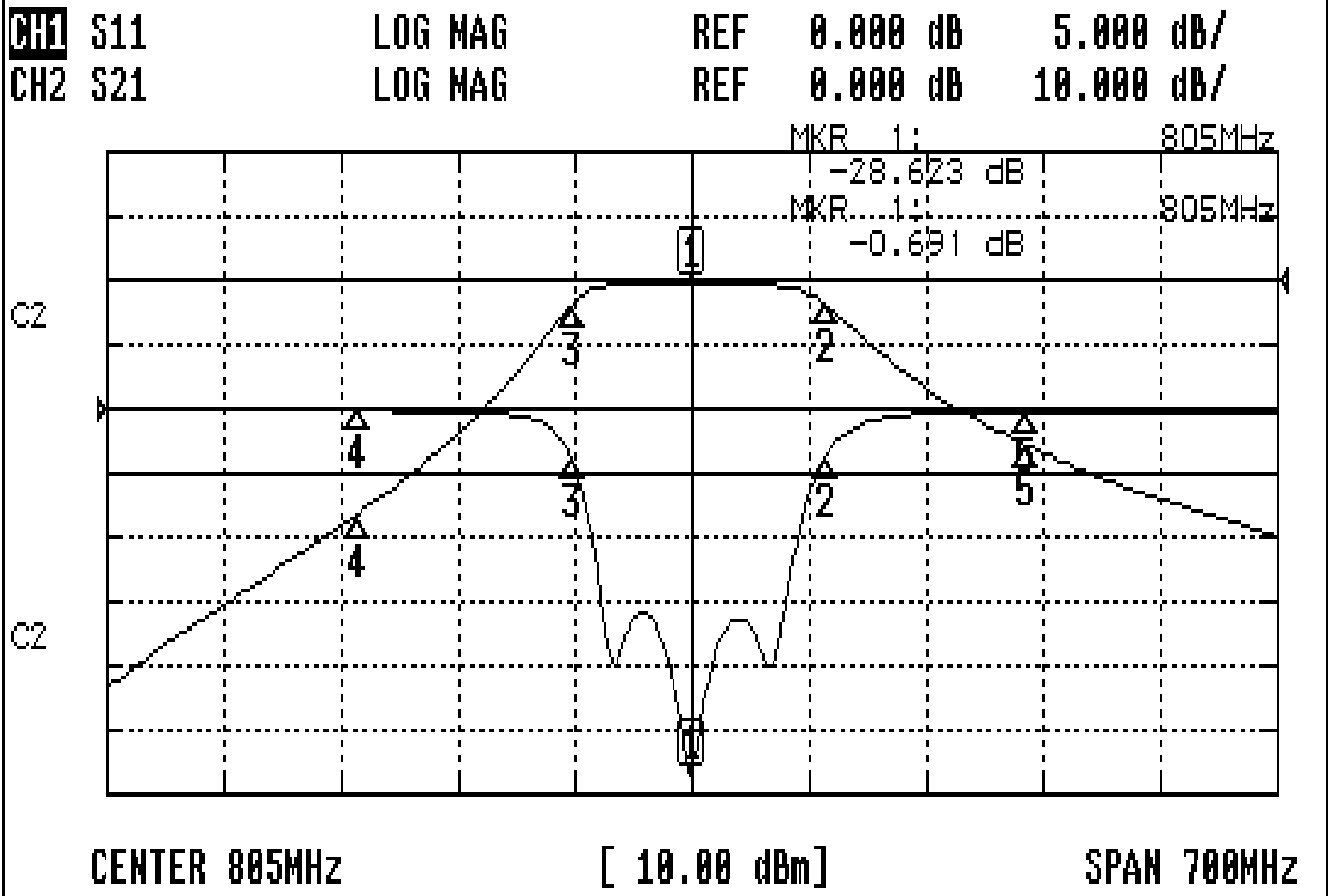


Approval	Supervisor	Designer	Aperture size
C.Y.Chang	C.K.Chang	Y.H.Yeh	7H3S(4*8.0)(8.06) 7H046RB6.5

TEMWELL CORPORATION

Performance-TT63348E-805M

200906138CD



CH1 MARKER LIST

1:	805.000MHz	-28.623	dB
2:	884.450MHz	-3.885	dB
3:	733.750MHz	-3.974	dB
4:	605.000MHz	-0.121	dB
5:	1.005 000GHz	-0.212	dB
6:			
7:			
8:			
9:			
10:			

CH2 MARKER LIST

1:	805.000MHz	-0.691	dB
2:	884.450MHz	-3.694	dB
3:	733.750MHz	-3.696	dB
4:	605.000MHz	-36.294	dB
5:	1.005 000GHz	-25.684	dB
6:			
7:			
8:			
9:			
10:			