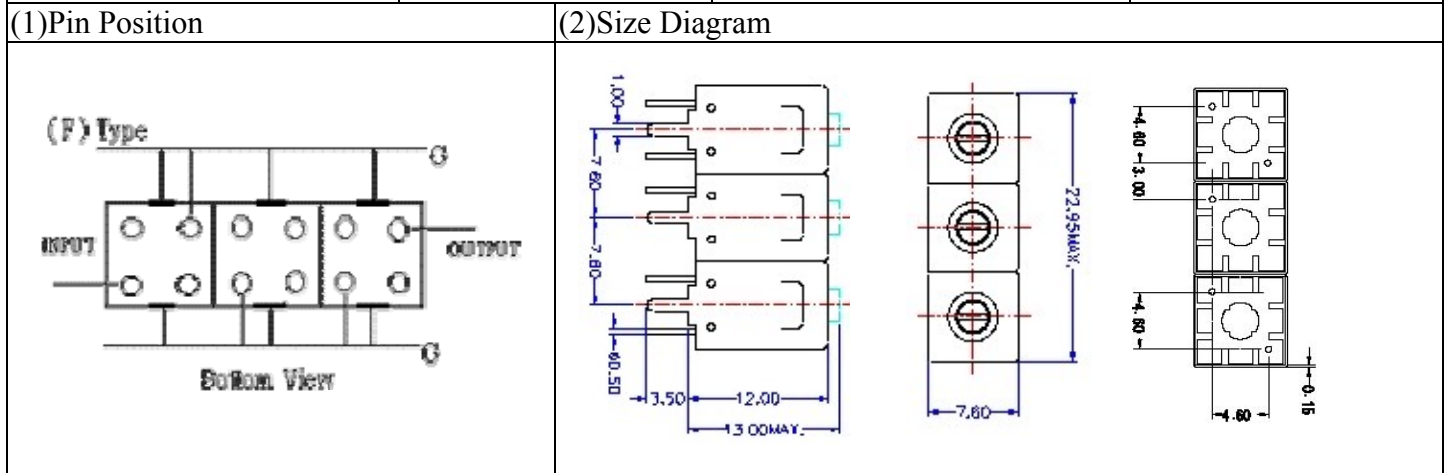


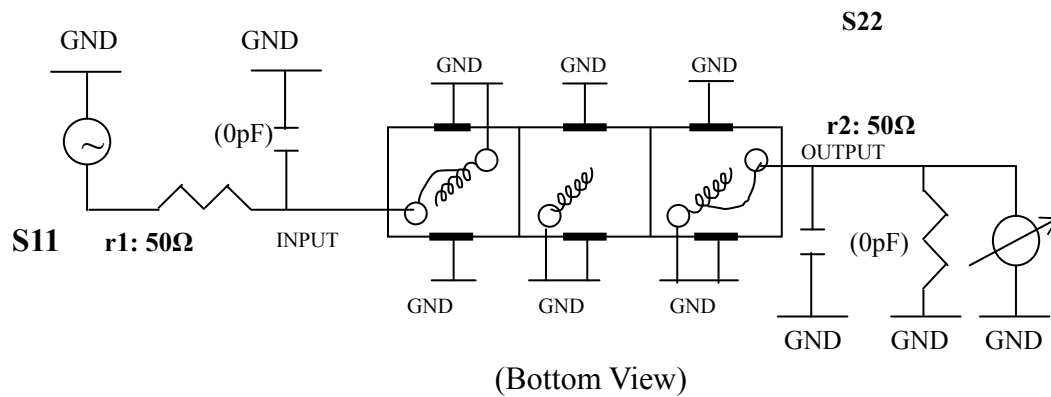
VHF UHF Helical Filter Specification Sheet

| | | | |
|----------------------|-------------|----------------------|----------------|
| Customer Name | | Temwell's Part No. | TT63353F-900M |
| Approval No. /dated | 0910044CD | Temwell's print name | 63353F 900M |
| Work Instruction No. | 200910044CD | Date | Oct.16.2009 |



| (3)Electric Characteristic | | | |
|------------------------------|--------------|-----------------|-----------------|
| Item | | Specify | Performance |
| Center Freq.(Fo) +/- 0.5 % | | 900 MHz | 900 MHz |
| Insertion Loss | | Typ. 2.0 dB | 0.79 dB |
| -3 dB Bandwidth | | Typ. 165 MHz | 171.9 MHz |
| Sensitivity (Attenuation) | Fo - 300 MHz | Typ. 51 dB | 54 dB |
| | Fo + 300 MHz | Typ. 24 dB | 27 dB |
| | Fo - ()MHz | Typ. dBc | dBc |
| | Fo +()MHz | Typ. dBc | dBc |
| Return Loss | | Min. 12 dB | 21.6 dB |
| Ripple | | < 1 dB | dB |
| Impedance | | In / Out : 50 Ω | In / Out : 50 Ω |
| (4)Torque for Tuning Screw | | > 100gf • cm | |
| (5)Temperature Condition: | | | |
| Operating Temperature | | 0°C ~ +60°C | |
| Storage Temperature | | -20°C ~ +70°C | |
| (6)Input Power | | > 1Watt | |

(7)Measuring Circuit: ※Easy to match Impedance S11/S22 50Ω by parallel with about(0pF) / (0pF).



| | | | |
|-----------|------------|-----------|---------------------------------|
| Approval | Supervisor | Designer | Aperture size |
| C.Y.Chang | C.K.Chang | C.S.Chang | 7H3(4*8.0F)(8.06) 7H046RB6.5 |

TEMWELL CORPORATION

Performance-TT63353F-900M

20091004CD

Tr1 S11 Log Mag 5.000dB/ Ref 0.000dB [F2]
Tr2 S21 Log Mag 10.00dB/ Ref 0.000dB [F2]

