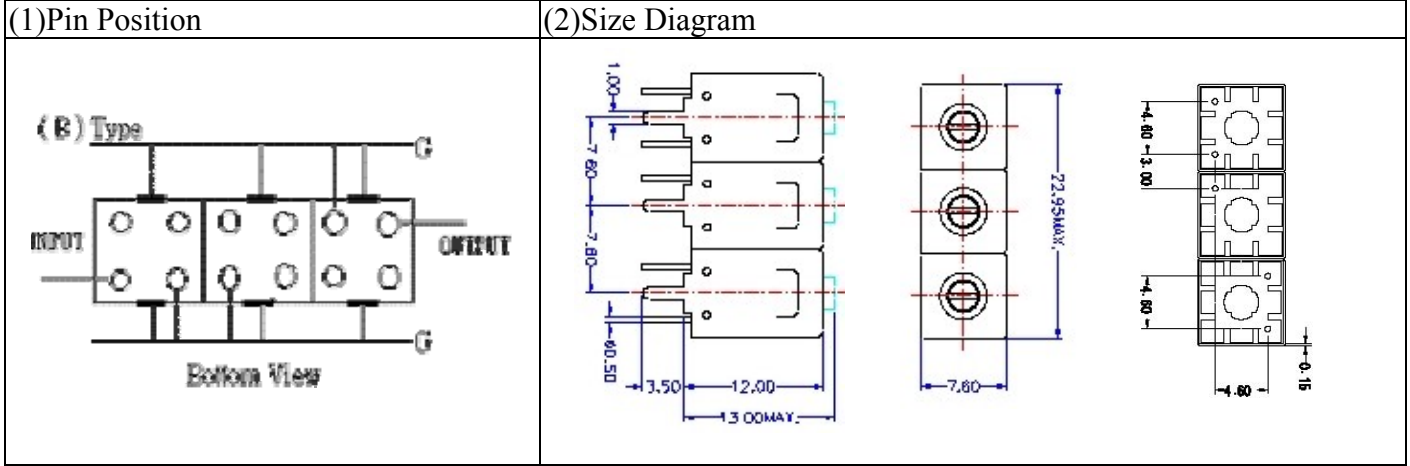


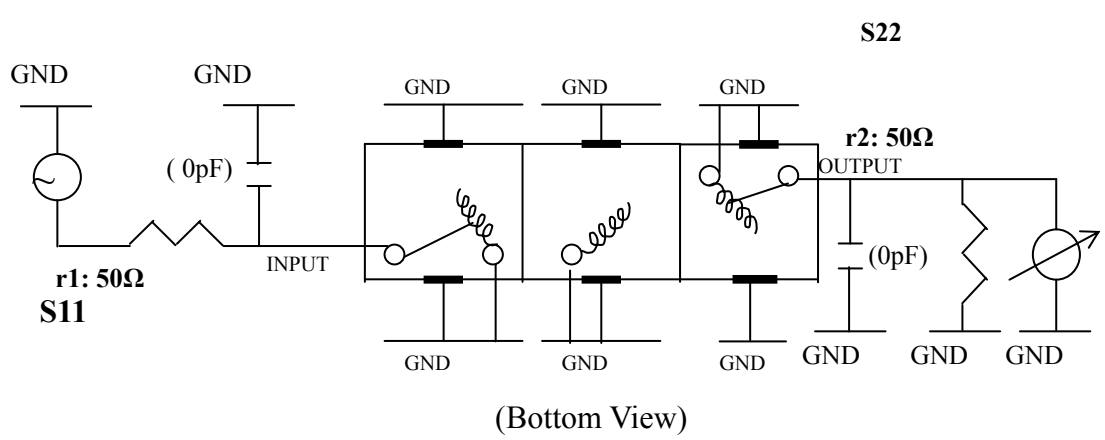
VHF UHF Helical Filter Specification Sheet

Customer Name		Temwell's Part No.	TT63367B-770M
Approval No. /dated	1001057CD	Temwell's Print Name.	63367B 770M
Work Instruction No.	201001057CD	Date	Feb.24.2010



(3) Electric Characteristic			
Item		Specify	Performance
Center Freq.(Fo) +/- 0.5 %		770 MHz	770 MHz
Insertion Loss		Typ. 2.0 dB	0.99 dB
-3 dB Bandwidth		Typ. 120 MHz	135.1 MHz
Sensitivity (Attenuation)	Fo - 200 MHz	Typ. 33 dBc	36 dBc
	Fo + 200 MHz	Typ. 22 dBc	25 dBc
	Fo - ()MHz	Typ. dBc	dBc
	Fo + ()MHz	Typ. dBc	dBc
Return Loss		Min. 12 dB	32.3 dB
Ripple		< 1 dB	dB
Impedance		In / Out : 50 Ω	In / Out : 50 Ω
(4) Torque for Tuning Screw		> 100gf • cm	
(5) Temperature Condition:			
Operating Temperature		0°C ~ +60°C	
Storage Temperature		-20°C ~ +70°C	
(6) Input Power		> 1Watt	

(7) Measuring Circuit: ※Easy to match Impedance S11/S22 50Ω by parallel with about(0pF) / (0pF).



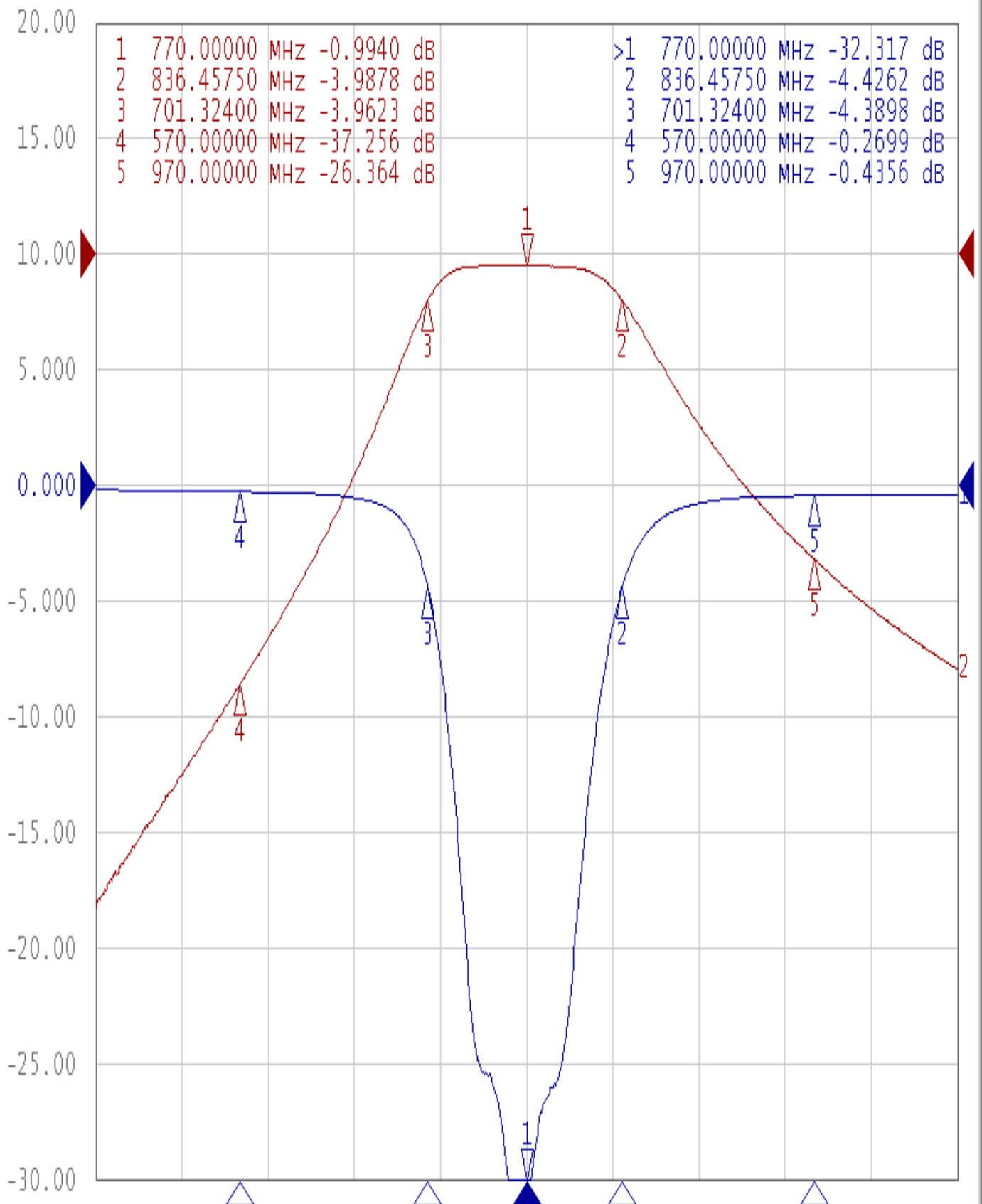
Approval	Supervisor	Designer	Aperture size
C.Y.Chang	C.K.Chang	C.S.Chang	7H3(4*8.0)(8.02) 7H046RB6.5.

TEMWELL CORPORATION

Performance-TT63367B-770M

201001057CD

▶ Tr1 S11 Log Mag 5.000dB/ Ref 0.000dB [F2]
Tr2 S21 Log Mag 10.00dB/ Ref 0.000dB [F2]



1 Center 770 MHz

IFBW 10 kHz

Span 600 MHz Cor !