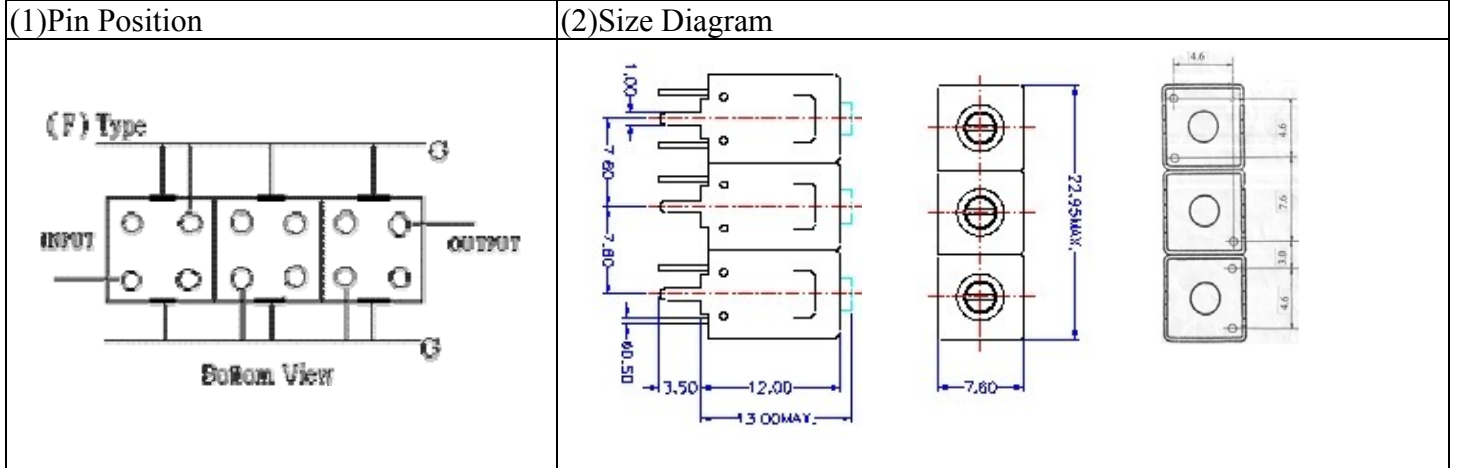


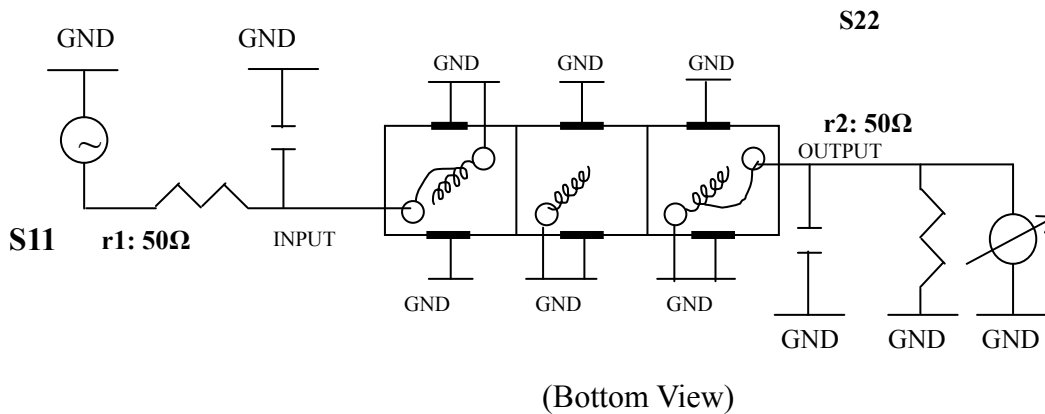
VHF UHF Helical Filter Specification Sheet

| | | | |
|----------------------|-------------|-----------------------|----------------|
| Customer Name | | Temwell's Part No. | TT63383F-895M |
| Approval No. /dated | 201004133CD | Temwell's print name. | 63383F 895M |
| Work Instruction No. | 201004133CD | Date | May.24.2010 |



| (3) Electric Character | | | |
|------------------------------|--------------|-----------------|-----------------|
| Item | | Specify | Performance |
| Center Freq.(Fo) +/- 0.5 % | | 895 MHz | 895 MHz |
| Insertion Loss | | Typ. 2.0 dB | 1.03 dB |
| -3 dB Bandwidth | | Typ. 100 MHz | 110.9 MHz |
| Sensitivity (Attenuation) | Fo - 200 MHz | Typ. 30 dBc | 34 dBc |
| | Fo + 200 MHz | Typ. 40 dBc | 46 dBc |
| | Fo - ()MHz | Typ. dBc | dBc |
| | Fo +()MHz | Typ. dBc | dBc |
| Return Loss | | Min. 12 dB | 21.4 dB |
| Ripple | | < 1 dB | dB |
| Impedance | | In / Out : 50 Ω | In / Out : 50 Ω |
| (4) Torque for Tuning Screw | | > 60gf · cm | |
| (5) Temperature Condition: | | | |
| Operating Temperature | | 0°C ~ +60°C | |
| Storage Temperature | | -20°C ~ +70°C | |
| (6) Input Power | | > 1Watt | |

(7) Measuring Circuit: ※Easy to match Impedance S11/S22 50Ω by parallel with about(--) / (--).



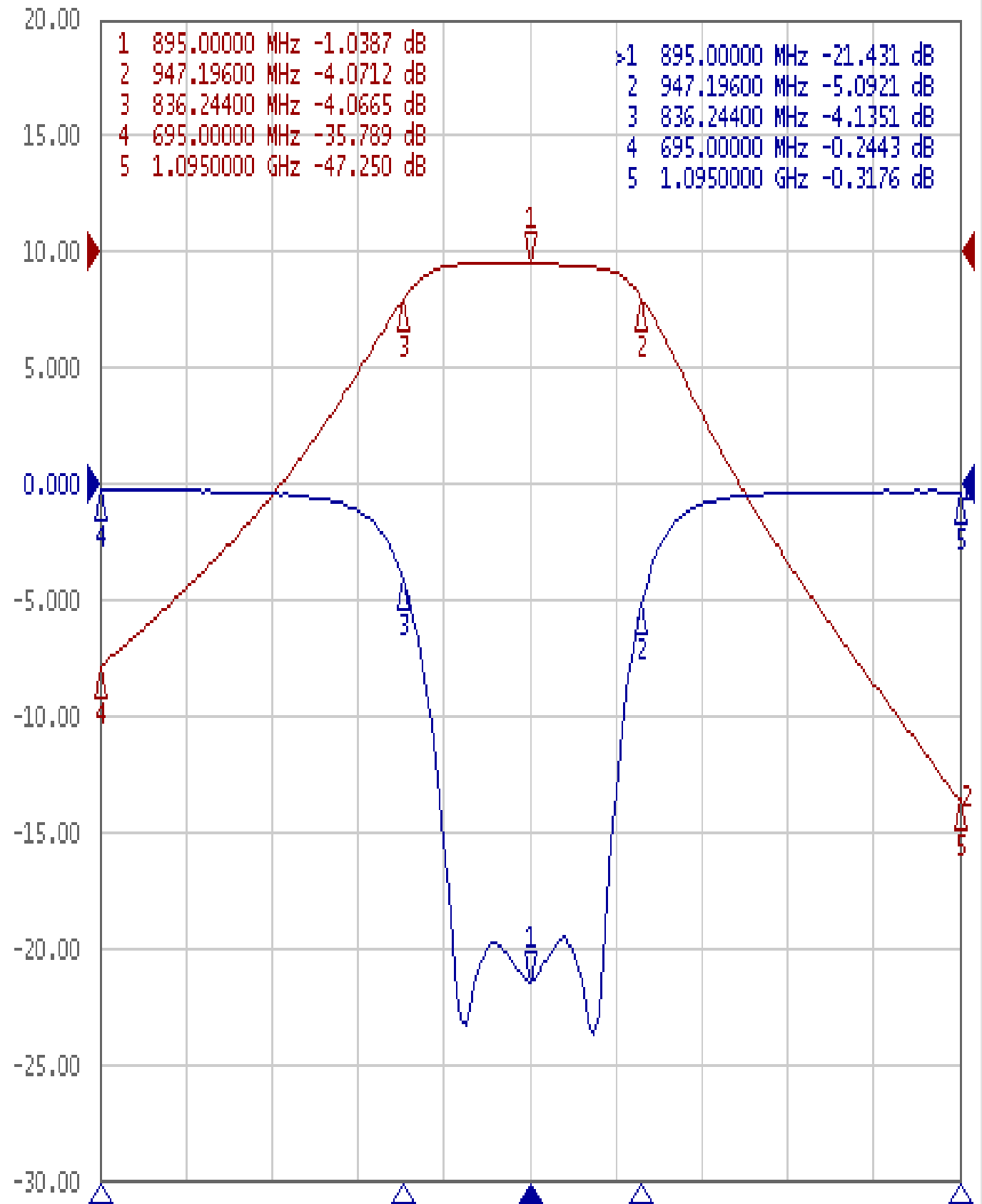
| | | | |
|---------------------|------------|------------|-----------------------------------|
| Approval | Supervisor | Designer | Aperture size |
| C.Y.Chang | C.K.Chang | P.H.Chiang | 7H3S(4*5.5RM)(5.58) 7H046RB6.5 |
| TEMWELL CORPORATION | | | |

Performance-TT63383F-895M

201004133CD

▶ Tr1 S11 Log Mag 5.000dB/ Ref 0.000dB [F2]

Tr2 S21 Log Mag 10.00dB/ Ref 0.000dB [F2]



1 Center 895 MHz

IFBW 70 kHz

Span 400 MHz Cor !