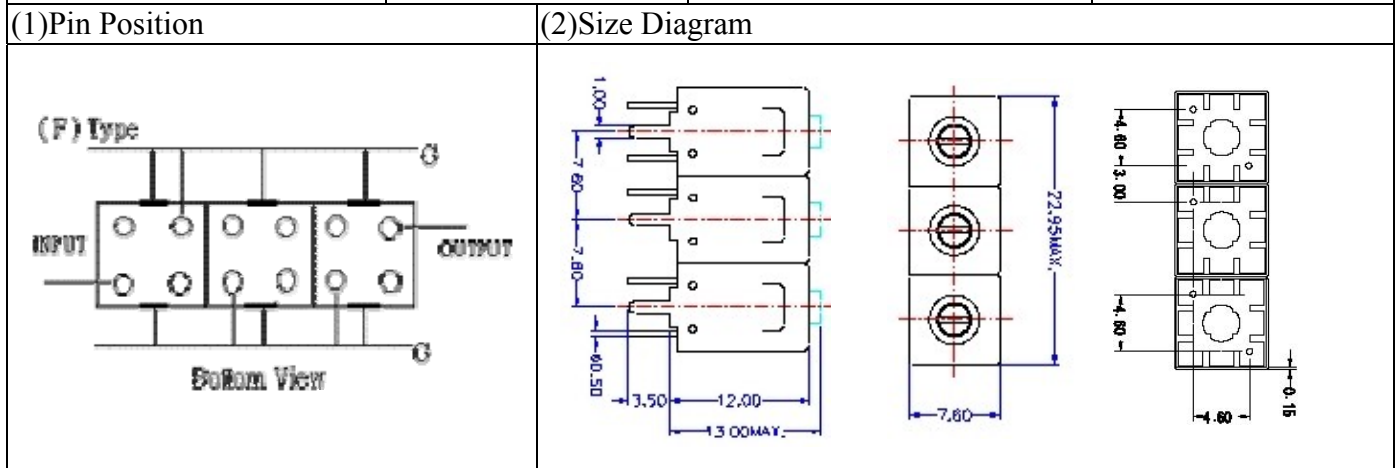


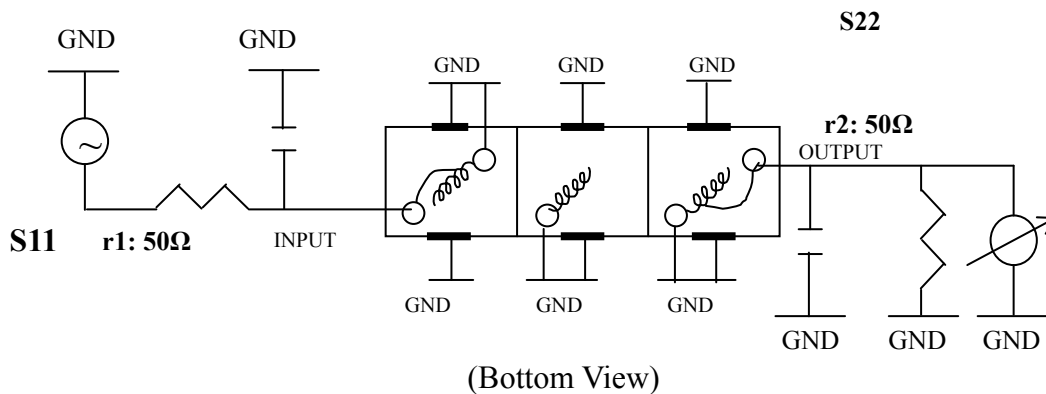
# VHF UHF Helical Filter Specification Sheet

Customer Name		Temwell's Part No.	TT63384F-750M
Approval No. /dated	201006076CD	Temwell's print name	63384F 750M
Work Instruction No.	201006076CD	Date	Jun.25.2010



(3) Electric Characteristic			
Item	Specify	Performance	
Center Freq.(Fo) +/- 0.5 %	750 MHz	750 MHz	
Insertion Loss	Typ. 1.5 dB	0.73 dB	
-3 dB Bandwidth	Typ. 130 MHz	147.6 MHz	
Sensitivity (Attenuation)	Fo - 200 MHz	Typ. 34 dBc	37 dBc
	Fo + 200 MHz	Typ. 25 dBc	28 dBc
	Fo - ( )MHz	Typ. dBc	dBc
	Fo +( )MHz	Typ. dBc	dBc
Return Loss	Min. 12 dB	20.8 dB	
Ripple	< 1 dB	dB	
Impedance	In / Out : 50 Ω	In / Out : 50 Ω	
(4) Torque for Tuning Screw			
> 60gf · cm			
(5) Temperature Condition:			
Operating Temperature	0°C ~ +60°C		
Storage Temperature	-20°C ~ +70°C		
(6) Input Power			
> 1Watt			

(7) Measuring Circuit: ※Easy to match Impedance S11/S22 50Ω by parallel with about( -- ) / ( -- ).



Approval C.Y.Chang	Supervisor C.K.Chang	Designer C.S..Chang	Aperture size 7H3S(4*8.0)(8.04) 7H046RB6.5
-----------------------	-------------------------	------------------------	--

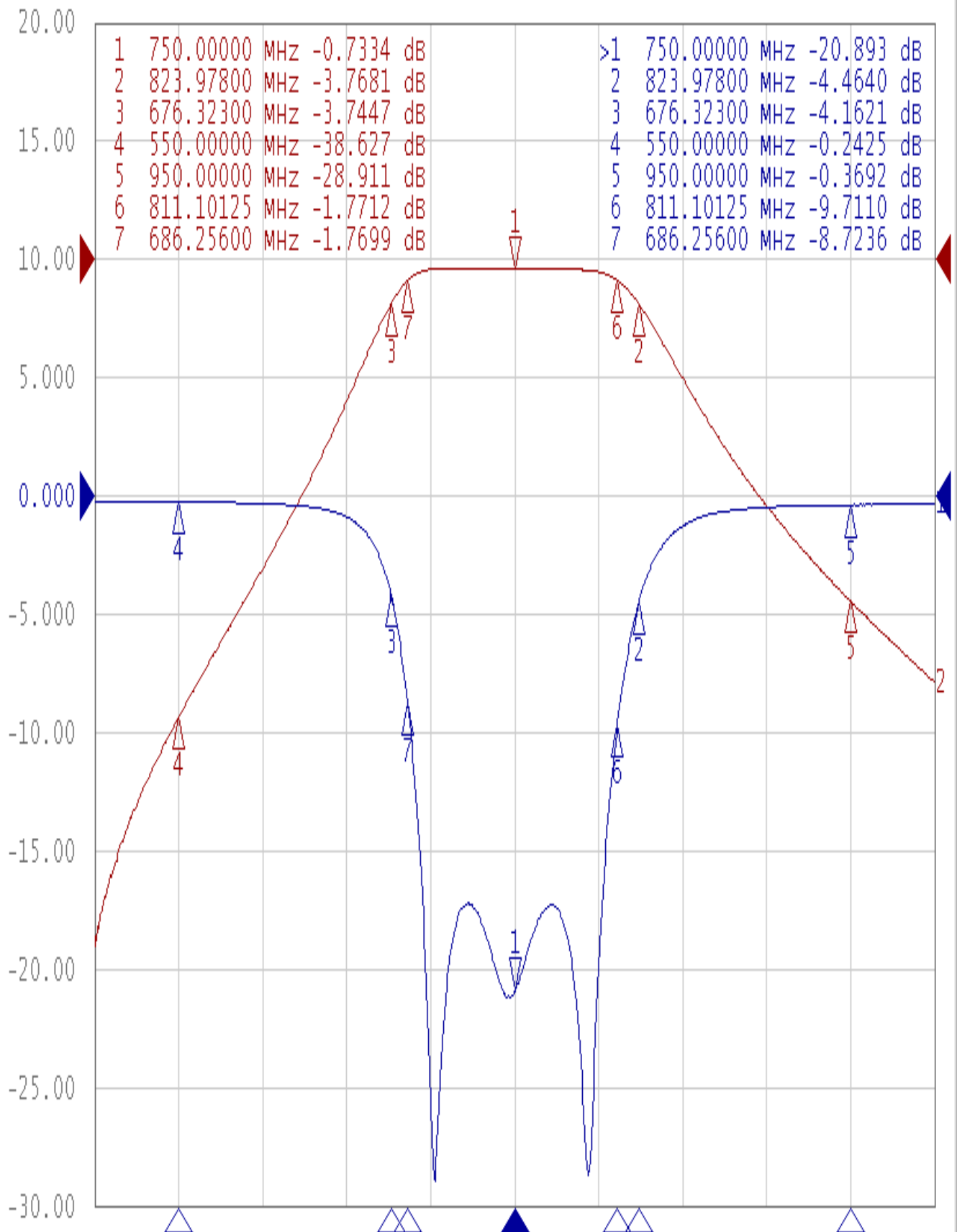
TEMWELL CORPORATION

# Performance-TT63384F-750M

## 201006076CD

Tr1 S11 Log Mag 5.000dB/ Ref 0.000dB [F2]

Tr2 S21 Log Mag 10.00dB/ Ref 0.000dB [F2]



1 Center 750 MHz

IFBW 10 kHz

Span 500 MHz Cor !