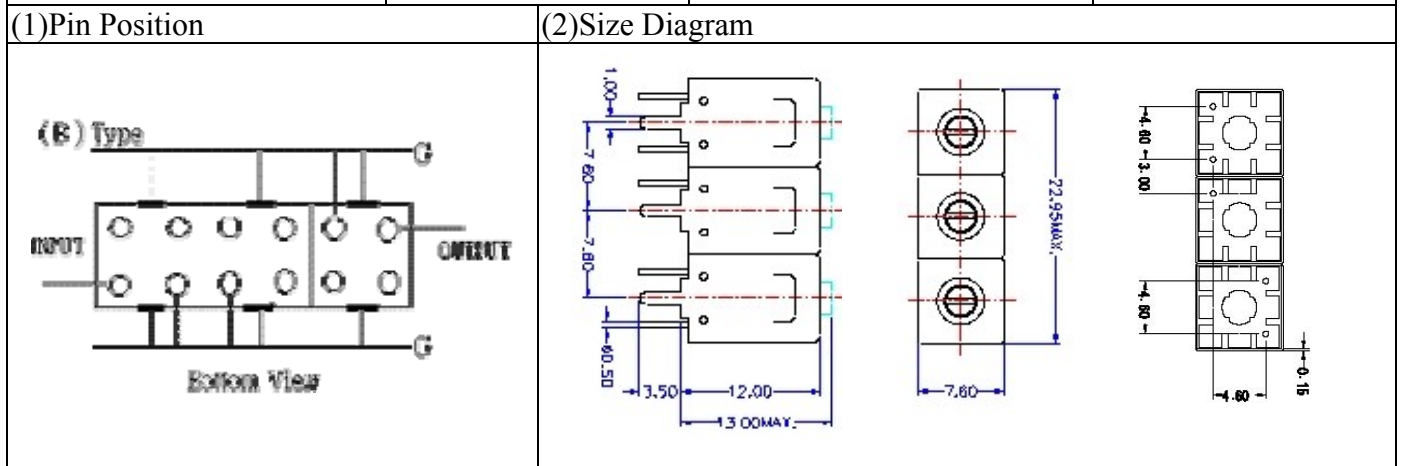
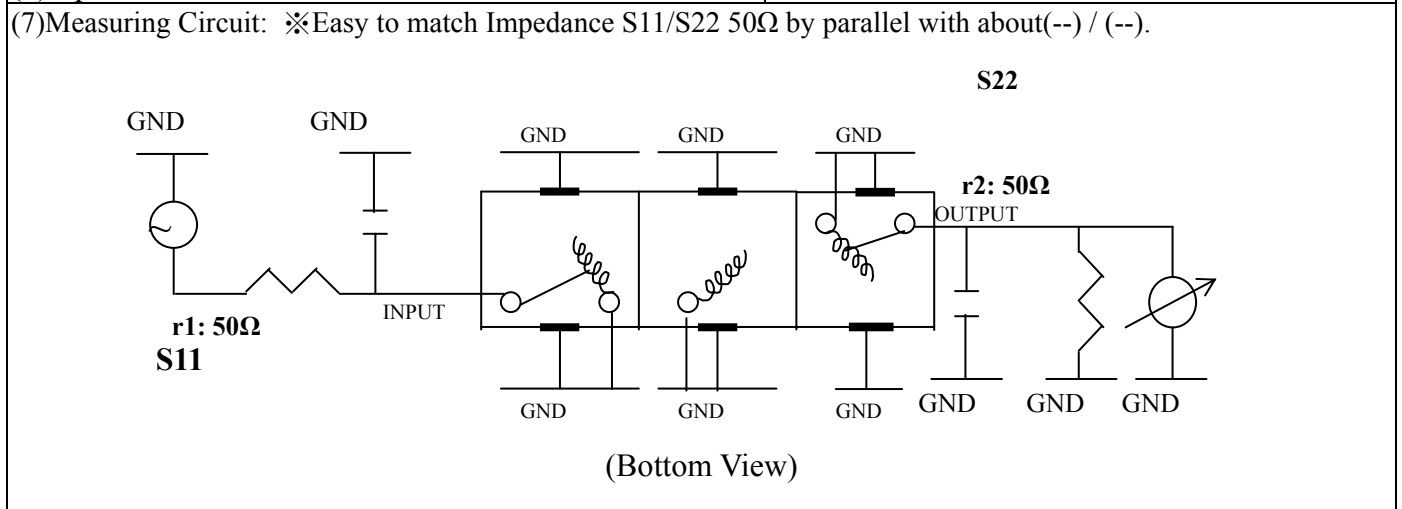


VHF UHF Helical Filter Specification Sheet

Customer Name		Temwell's Part No.	TT63390B-273.3M
Approval No. /dated	201007098CD	Temwell's Print Name.	63390B 273.3M
Work Instruction No.	201007098CD	Date	Jul.20.2010



(3) Electric Characteristic		Specify	Performance
Center Freq.(Fo) +/- 1 %		273.3 MHz	273.3 MHz
Insertion Loss		Typ. 2.0 dB	0.93 dB
-3 dB Bandwidth		Typ. 25 MHz	30.3 MHz
Sensitivity (Attenuation)	Fo - 36 MHz	Typ. 24 dBc	27 dBc
	Fo + 36 MHz	Typ. 17 dBc	20 dBc
	Fo - ()MHz	Typ. dBc	dBc
	Fo +()MHz	Typ. dBc	dBc
Return Loss		Min. 12 dB	36.7 dB
Ripple		< 1 dB	dB
Impedance		In / Out : 50 Ω	In / Out : 50 Ω
(4) Torque for Tuning Screw		> 60gf · cm	
(5) Temperature Condition:			
Operating Temperature		0°C ~ +60°C	
Storage Temperature		-20°C ~ +70°C	
(6) Input Power		> 1Watt	



Approval	Supervisor	Designer	Aperture size
C.Y.Chang	C.K.Chang	C.S.Chang	7H3S(4*7.5)(7.58) (7H046RB5.5)

TEMWELL CORPORATION

Performance-TT63390B-273.3M

201007098CD

