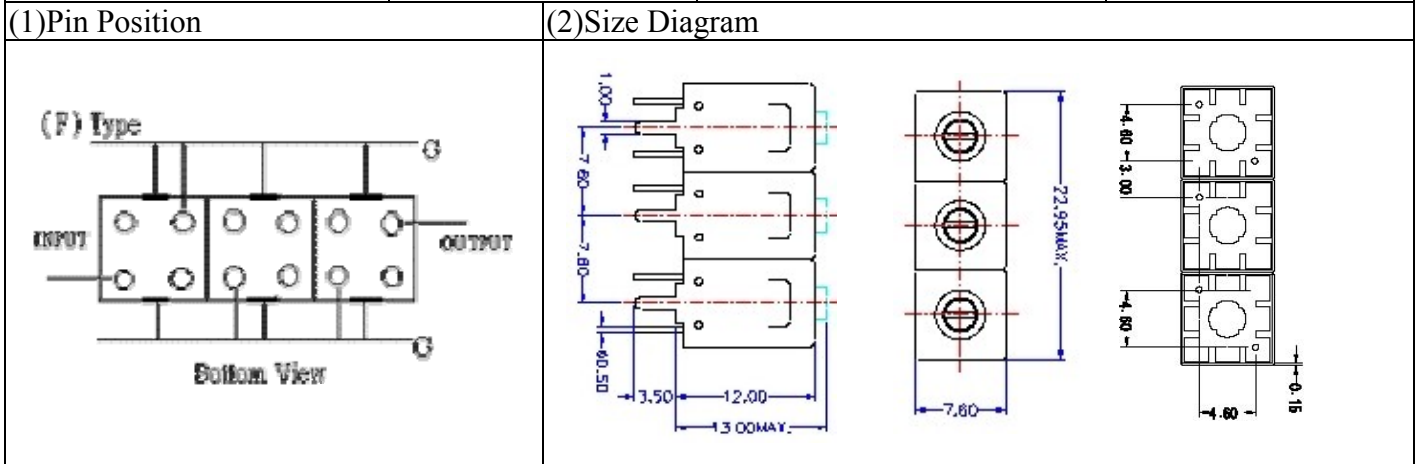


VHF UHF Helical Filter Specification Sheet

Customer Name		Temwell's Part No.	TT63391F-450M
Approval No. /dated	201007113CD	Temwell's print name	63391F 450M
Work Instruction No.	201007113CD	Date	Jul.09.2010



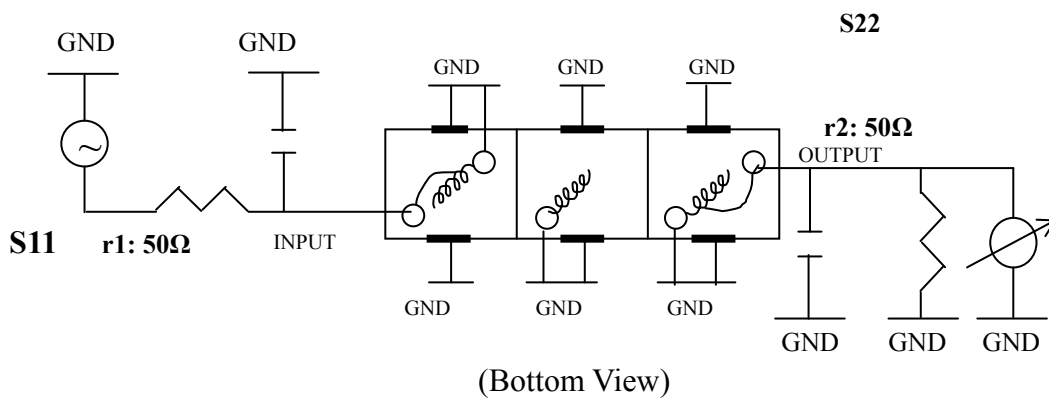
(3) Electric Characteristic			
Item		Specify	Performance
Center Freq.(Fo) +/- 0.5 %		450 MHz	450 MHz
Insertion Loss		Typ. 1.5 dB	0.67 dB
-3 dB Bandwidth		Typ. 95 MHz	102.1 MHz
Sensitivity (Attenuation)	Fo - 150 MHz	Typ. 38 dBc	41 dBc
	Fo + 150 MHz	Typ. 27 dBc	30 dBc
	Fo - ()MHz	Typ. dBc	dBc
	Fo + ()MHz	Typ. dBc	dBc
Return Loss		Min. 12 dB	22.6 dB
Ripple		< 1 dB	dB
Impedance		In / Out : 50 Ω	In / Out : 50 Ω

(4) Torque for Tuning Screw > 60gf · cm

(5) Temperature Condition:	
Operating Temperature	0°C ~ +60°C
Storage Temperature	-20°C ~ +70°C

(6) Input Power > 1Watt

(7) Measuring Circuit: ※Easy to match Impedance S11/S22 50Ω by parallel with about(--) / (--).



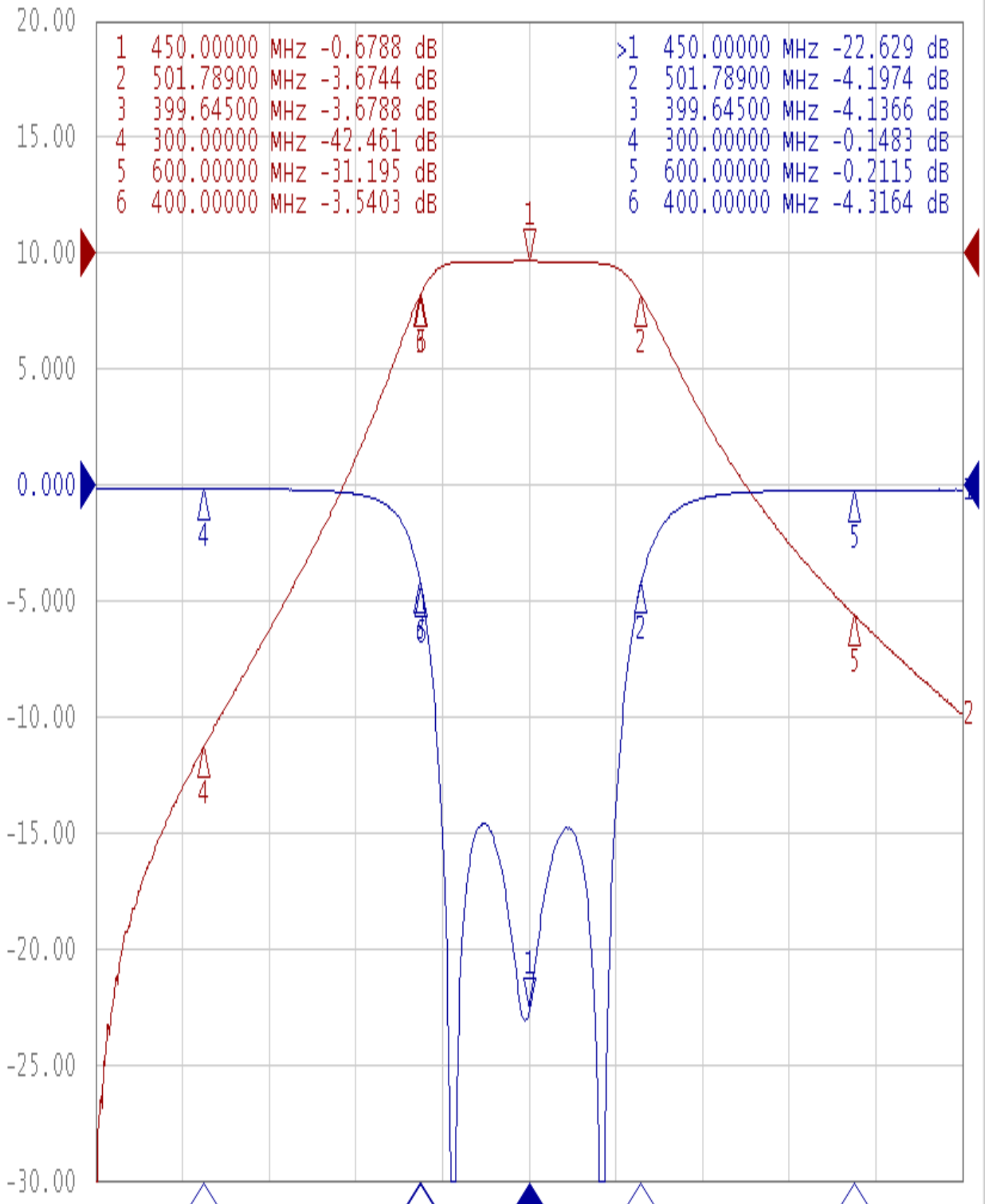
Approval	Supervisor	Designer	Aperture size
C.Y.Chang	C.K.Chang	C.S..Chang	7H3S(4*6.5)(6.62) 7H046RB6.5

TEMWELL CORPORATION

Performance-TT63391F-450M

201007113CD

▶ Tr1 S11 Log Mag 5.000dB/ Ref 0.000dB [F2]
Tr2 S21 Log Mag 10.00dB/ Ref 0.000dB [F2]



1 Center 450 MHz

IFBW 10 kHz

Span 400 MHz Cor !