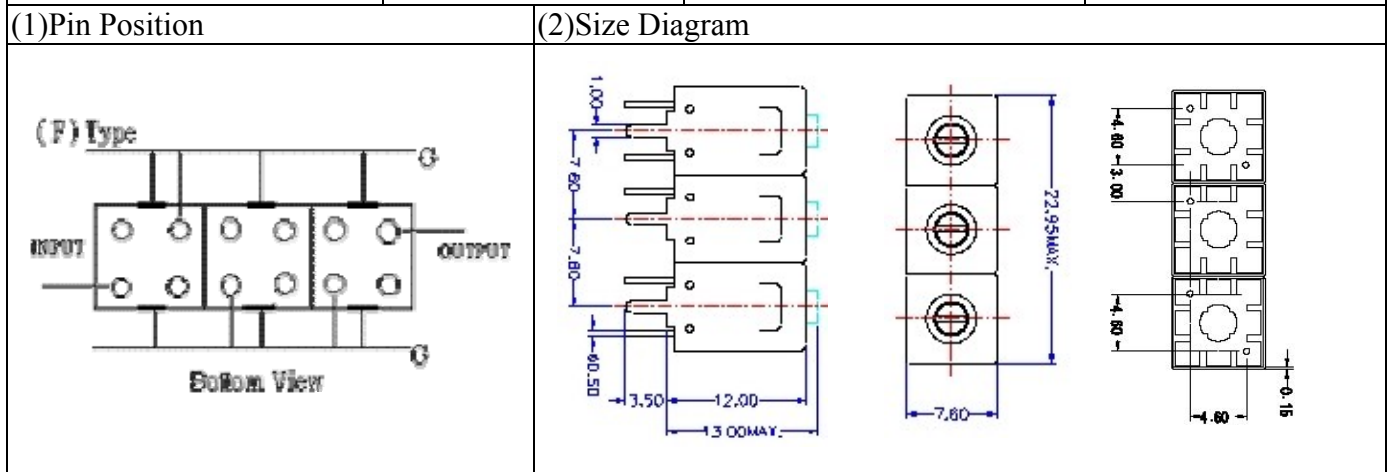


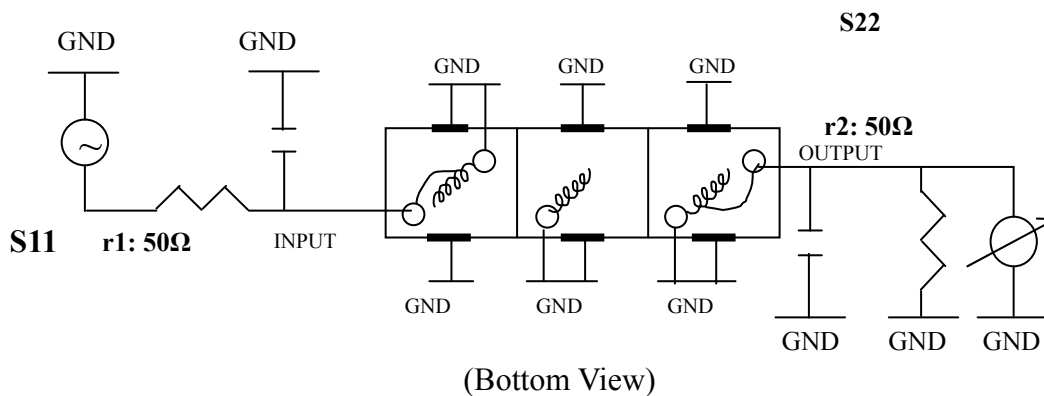
VHF UHF Helical Filter Specification Sheet

Customer Name		Temwell's Part No.	TT63394F-460M
Approval No. /dated	201007114CD	Temwell's print name	63394F 460M
Work Instruction No.	201007114CD	Date	Jul.09.2010



Item		Specify	Performance
Center Freq.(Fo) +/- 0.5 %		460 MHz	460 MHz
Insertion Loss		Typ. 2.0 dB	0.79 dB
-3 dB Bandwidth		Typ. 90 MHz	95.1 MHz
Sensitivity (Attenuation)	Fo - 150 MHz	Typ. 36 dBc	39 dBc
	Fo + 150 MHz	Typ. 30 dBc	33 dBc
	Fo - ()MHz	Typ. dBc	dBc
	Fo + ()MHz	Typ. dBc	dBc
Return Loss		Min. 12 dB	27.0 dB
Ripple		< 1 dB	dB
Impedance		In / Out : 50 Ω	In / Out : 50 Ω
(4) Torque for Tuning Screw		> 60gf · cm	
(5) Temperature Condition:			
Operating Temperature		0°C ~ +60°C	
Storage Temperature		-20°C ~ +70°C	
(6) Input Power		> 1 Watt	

(7) Measuring Circuit: ※ Easy to match Impedance S11/S22 50Ω by parallel with about(--) / (--).



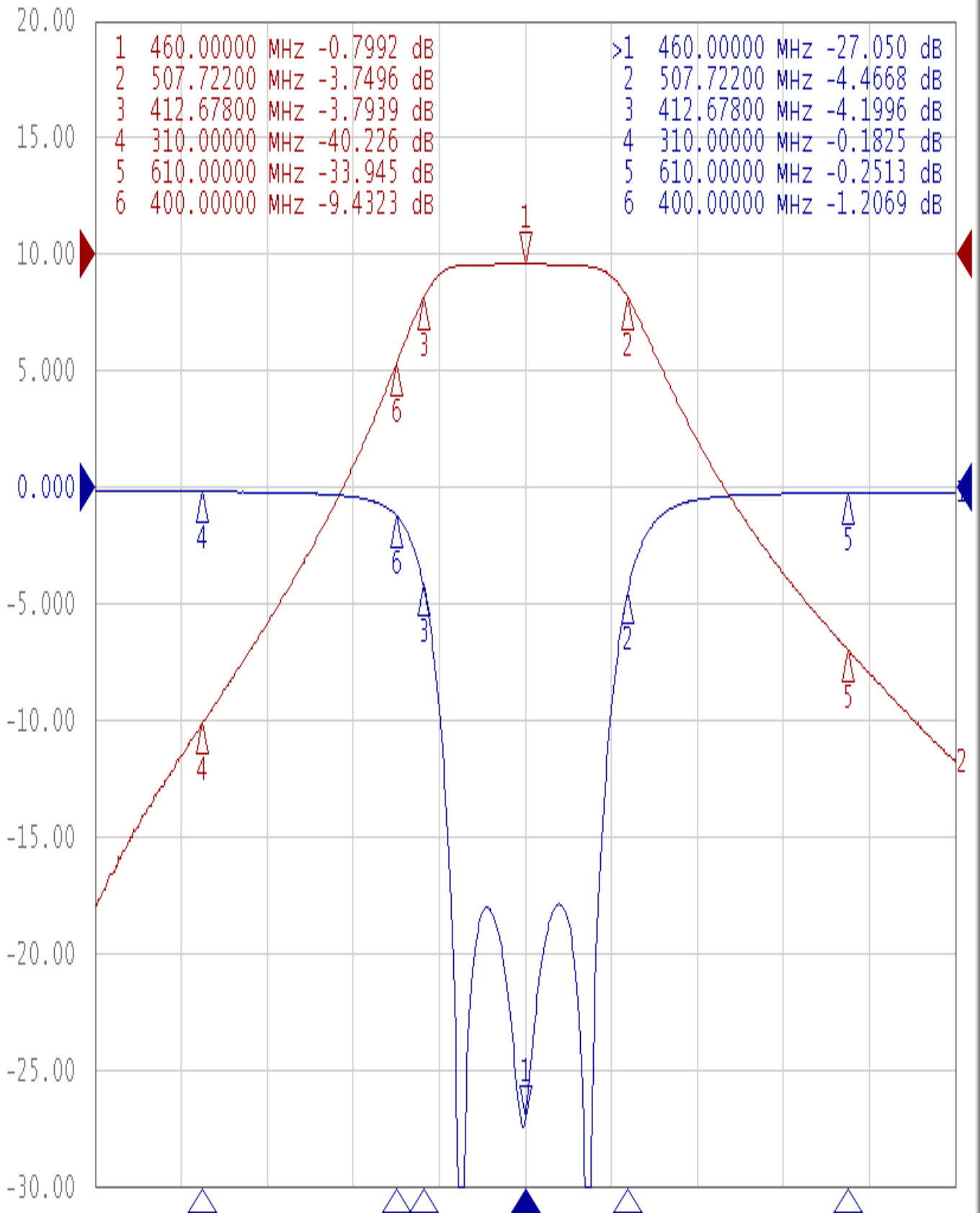
Approval	Supervisor	Designer	Aperture size
C.Y.Chang	C.K.Chang	C.S..Chang	7H3S(4*5.5)(5.61) 7H046RB6.5

TEMWELL CORPORATION

Performance-TT63394F-460M

201007114CD

▶ Tr1 S11 Log Mag 5.000dB/ Ref 0.000dB [F2]
Tr2 S21 Log Mag 10.00dB/ Ref 0.000dB [F2]



1 Center 460 MHz

IFBW 10 kHz

Span 400 MHz Cor !