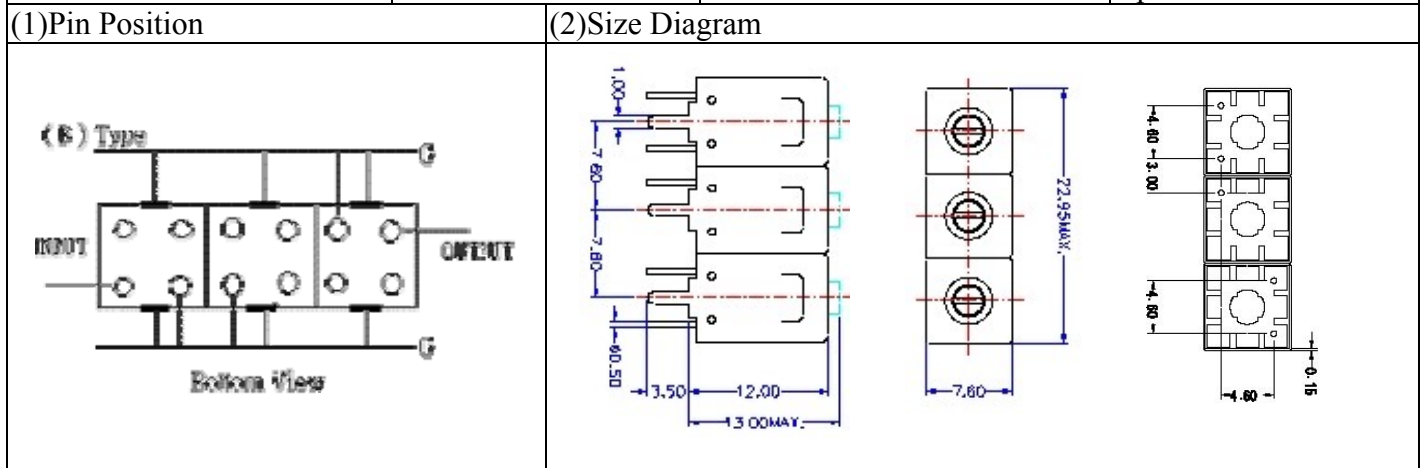


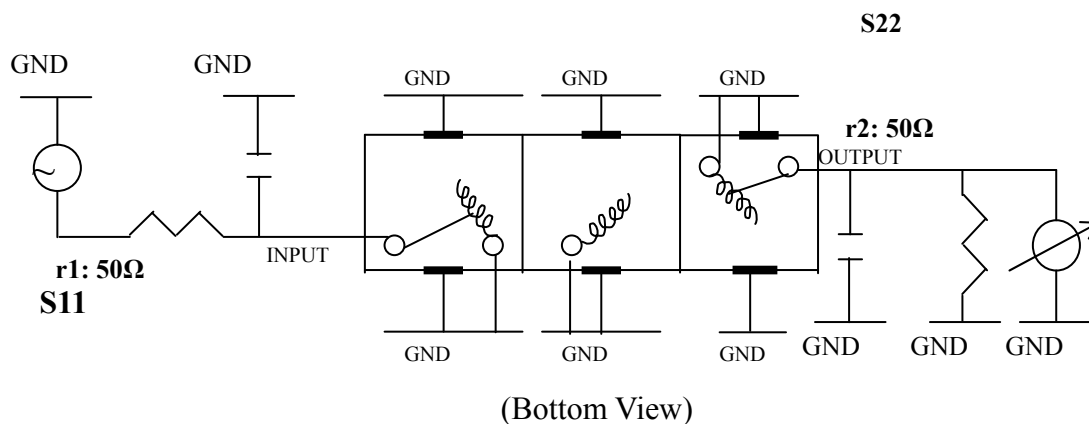
VHF UHF Helical Filter Specification Sheet

Customer Name		Temwell's Part No.	TT63447B-160M
Approval No. /dated		Temwell's Print name.	63447B 160M
Work Instruction No.	201201050CD	Date	Apr.02.2012



(3) Electric Characteristic			
Item		Specify	Performance
Center Freq.(Fo) +/- 0.5 %		160 MHz	160 MHz
Insertion Loss		Typ. 2.5 dB	1.13 dB
-3 dB Bandwidth		Typ. 20 MHz	24.4 MHz
Sensitivity (Attenuation)	Fo - 50 MHz	Typ. 45 dBc	48 dBc
	Fo + 50 MHz	Typ. 46 dBc	49 dBc
	Fo - () MHz	Typ. dBc	dBc
	Fo + () MHz	Typ. dBc	dBc
Return Loss		Min. 12 dB	35.3 dB
Ripple		< 1 dB	dB
Impedance		In / Out : 50 Ω	In / Out : 50 Ω
(4) Torque for Tuning Screw		> 60gf • cm	
(5) Temperature Condition:			
Operating Temperature		0°C ~ +60°C	
Storage Temperature		-20°C ~ +70°C	
(6) Input Power		> 1 Watt	

(7) Measuring Circuit: ※ Easy to match Impedance S11/S22 50Ω by parallel with about(--) / (--).



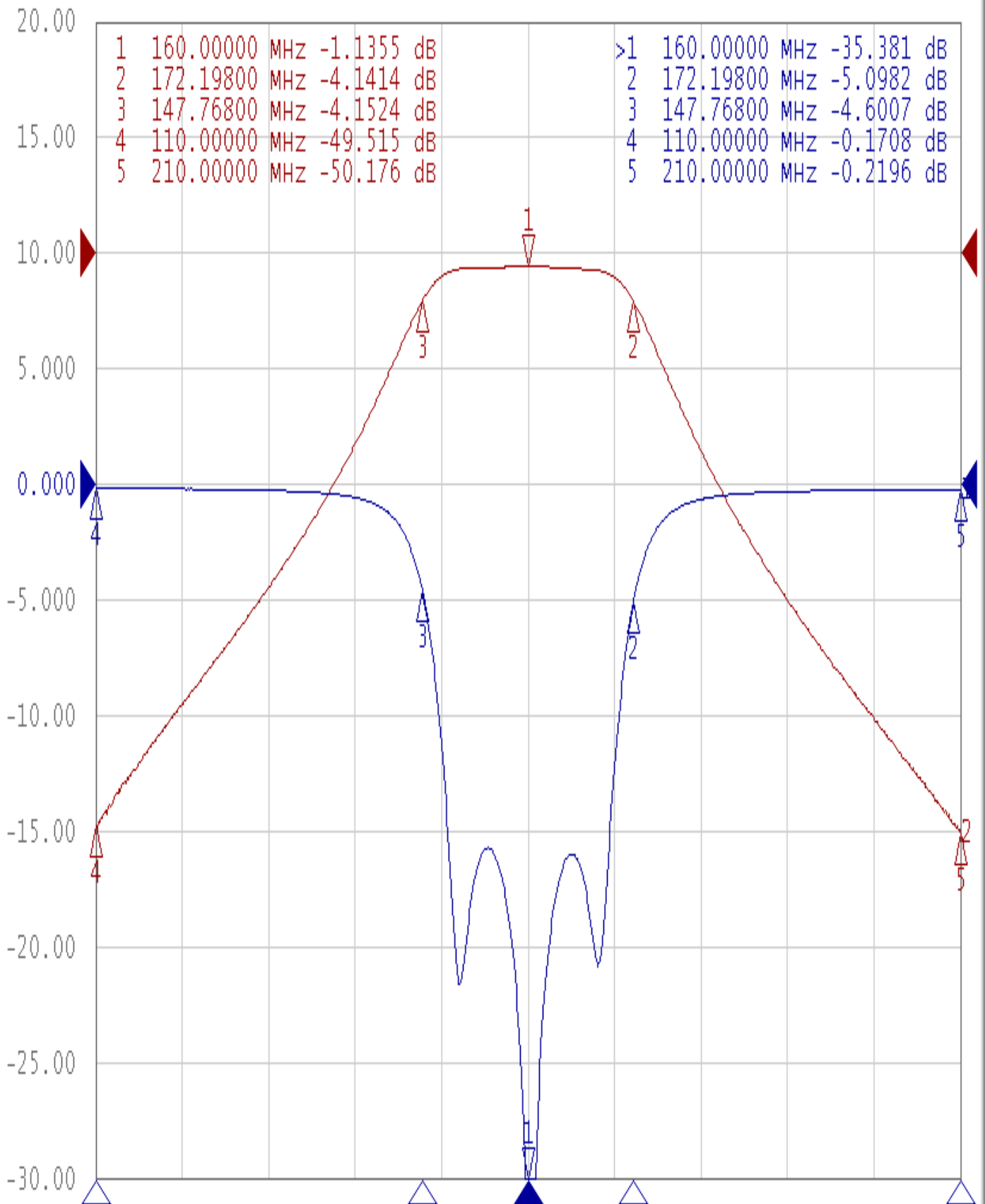
Approval C.Y.Chang	Supervisor C.K.Chang	Designer C.S.Chang	Aperture size 7H3S(4*5.5)(5.58) 7H024LB6.5
-----------------------	-------------------------	-----------------------	--

TEMWELL CORPORATION

Performance-TT63447B-160M

201201050CD

▶ Tr1 S11 Log Mag 5.000dB/ Ref 0.000dB [F2]
Tr2 S21 Log Mag 10.00dB/ Ref 0.000dB [F2]



1 Center 160 MHz

IFBW 10 kHz

Span 100 MHz Cor |