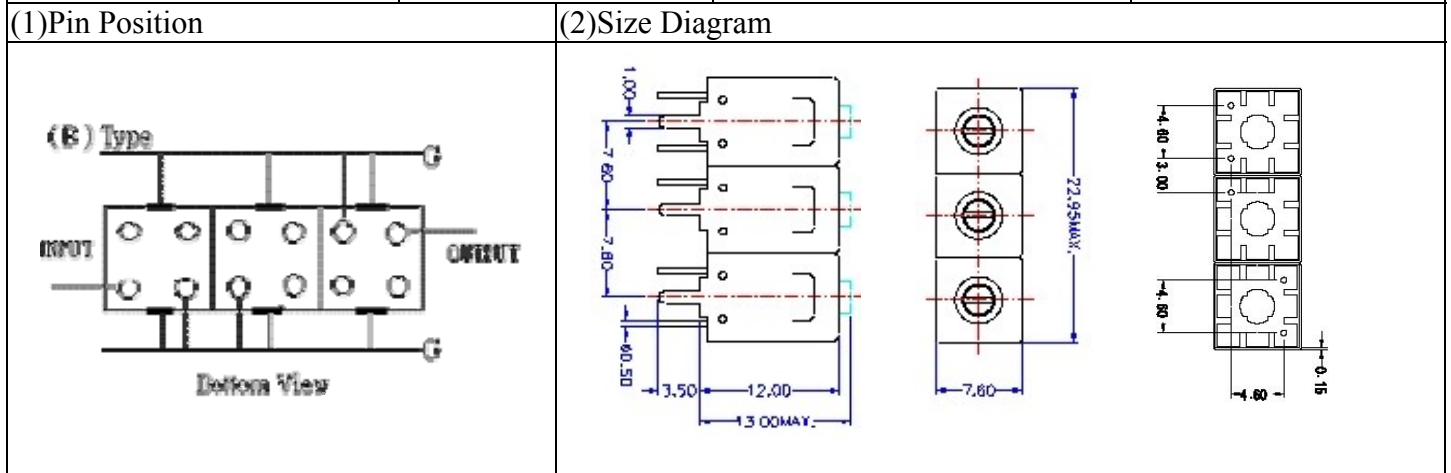


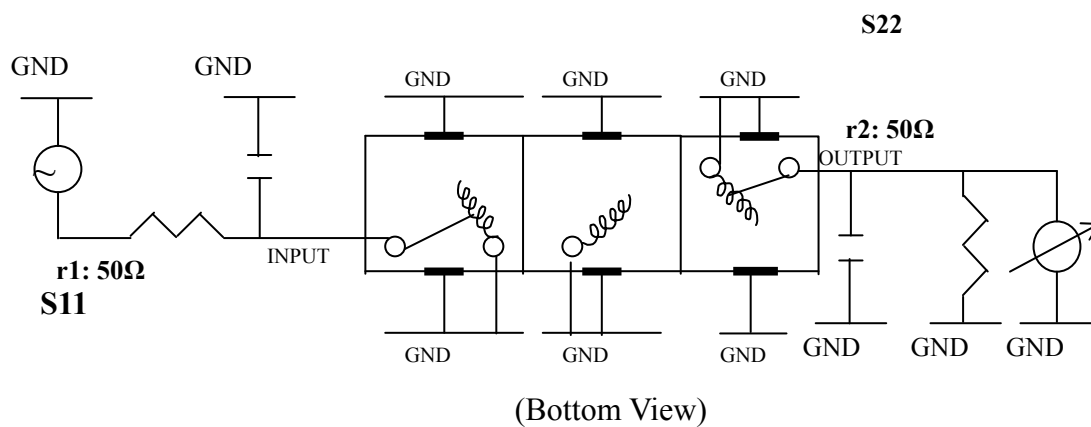
# VHF UHF Helical Filter Specification Sheet

Customer Name		Temwell's Part No.	TT63449B-860M
Approval No. /dated	201201053CD	Temwell's Print name.	63449B 860M
Work Instruction No.	201201053CD	Date	Mar.28.2012



(3) Electric Characteristic			
Item		Specify	Performance
Center Freq.(Fo ) +/- 0.5 %		860 MHz	860 MHz
Insertion Loss		Typ. 3.0 dB	2.41 dB
-3 dB Bandwidth		Typ. 20 MHz	28.0 MHz
Sensitivity (Attenuation)	Fo - ( 50 ) MHz	Typ. 35 dBc	40 dBc
	Fo + ( 50 ) MHz	Typ. 25 dBc	30 dBc
	Fo - ( ) MHz	Typ. dBc	dBc
	Fo + ( ) MHz	Typ. dBc	dBc
Return Loss		Min. 12 dB	21.8 dB
Ripple		< 1 dB	dB
Impedance		In / Out : 50 Ω	In / Out : 50 Ω
(4) Torque for Tuning Screw		> 60gf · cm	
(5) Temperature Condition:			
Operating Temperature		0°C ~ +60°C	
Storage Temperature		-20°C ~ +70°C	
(6) Input Power		> 1Watt	

(7) Measuring Circuit: ※Easy to match Impedance S11/S22 50Ω by parallel with about( -- ) / ( -- ).



Approval	Supervisor	Designer	Aperture size
C.Y.Chang	C.K.Chang	F.L.Lai	7H3S(4*5.35)(5.39) 7H046RB4

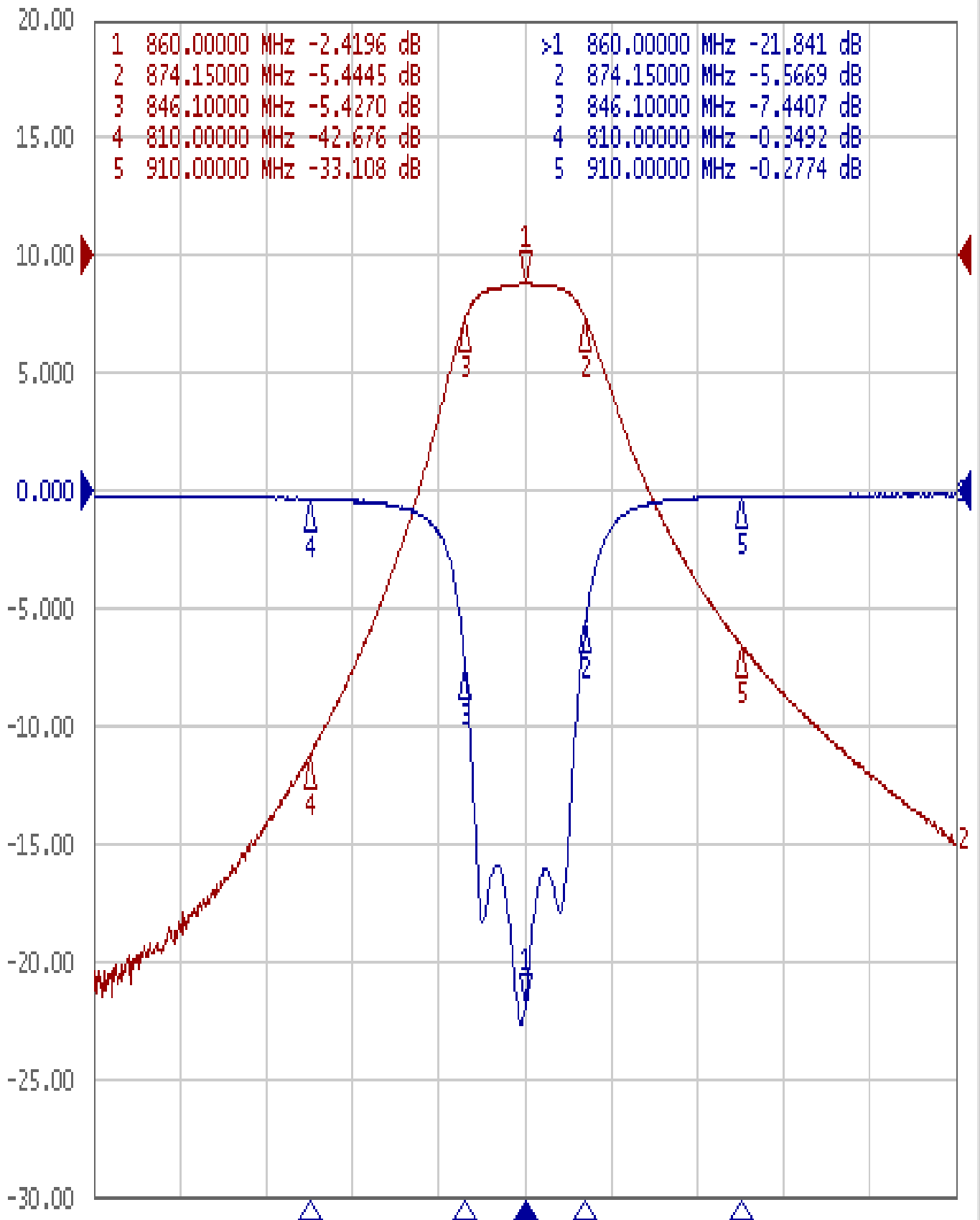
TEMWELL CORPORATION

# Performance-TT63449B-860M

## 201201053CD

▶ Tr1 S11 Log Mag 5.000dB/ Ref 0.000dB [F2]

Tr2 S21 Log Mag 10.00dB/ Ref 0.000dB [F2]



1 Center 860 MHz

IFBW 70 kHz

Span 200 MHz Cor