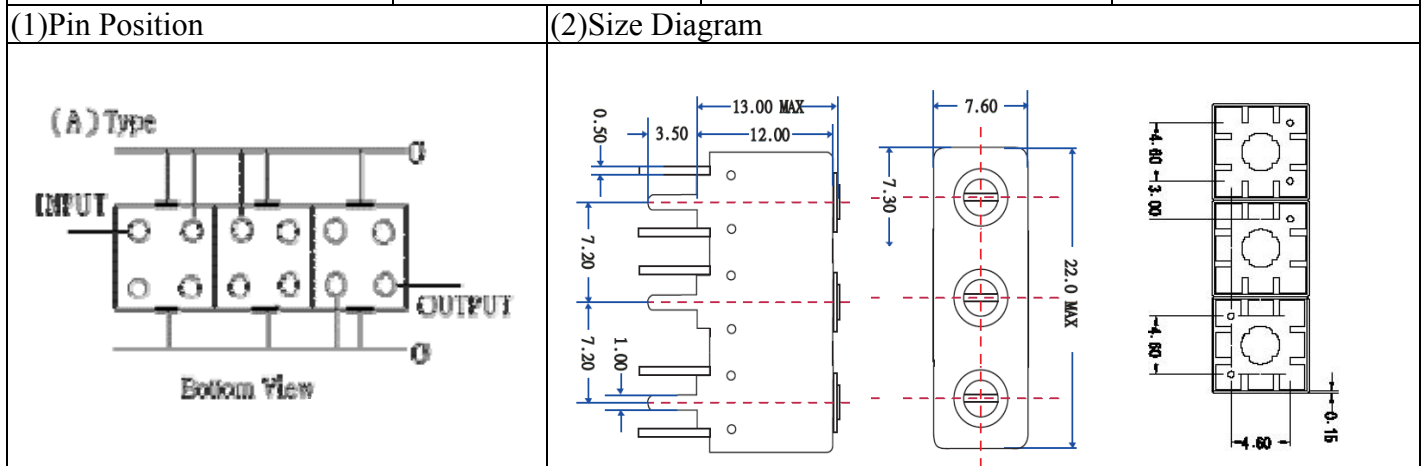
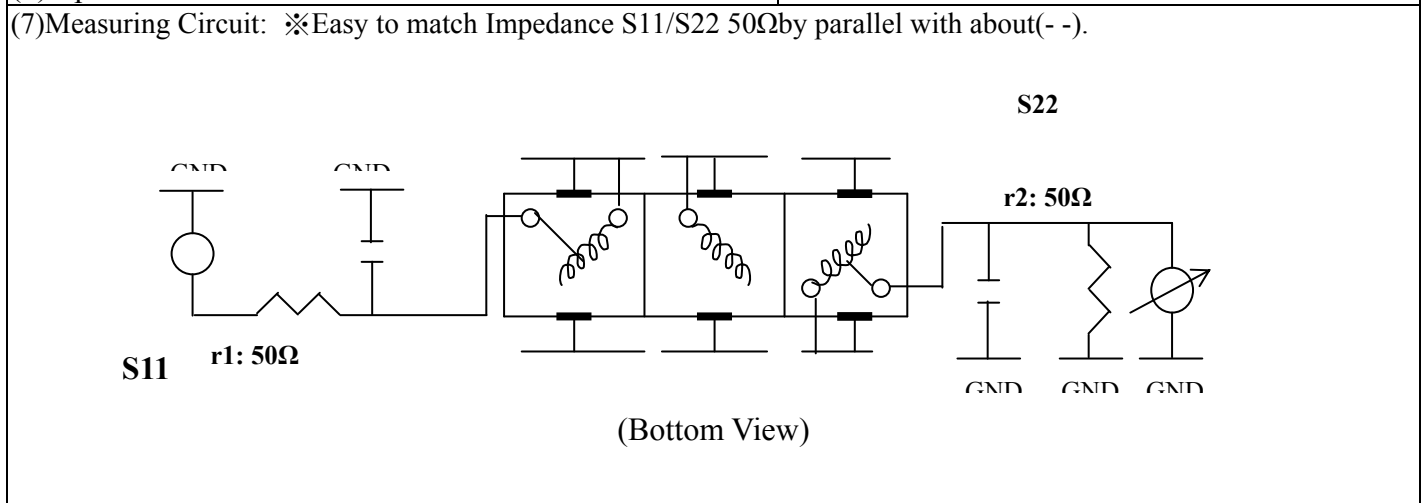


VHF UHF Helical Filter Specification Sheet

Customer Name		Temwell's Part No.	TT63557A-300M
Approval No. /dated	201605010CD	Temwell's Print name	63557A 300M
Work Instruction No.	201605010CD	Date	Dec.22.2016



(3) Electric Characteristic			
Item	Specify		Performance
Center Freq.(Fo) +/- 0.5 %	300	MHZ	300 MHZ
Insertion Loss	Typ. 2.0	dB	0.40 dB
-3 dB Bandwidth	Typ. 60	MHZ	70.5 MHZ
Sensitivity (Attenuation)	Fo - 120 MHZ	> 10 dB	45 dB
	Fo +120 MHZ	> 10 dB	33 dB
	Fo - ()MHZ	Typ. dB	dB
	Fo +()MHZ	Typ. dB	dB
Return Loss	Min. 12	dB	25.4 dB
Ripple	< 1	dB	dB
Impedance	In / Out : 50 Ω		In / Out : 50 Ω
(4) Torque for Tuning Screw	> 60gf • cm		
(5) Temperature Condition:			
Operating Temperature	0°C ~ +60°C		
Storage Temperature	-20°C ~ +70°C		
(6) Input Power	> 1 Watt		



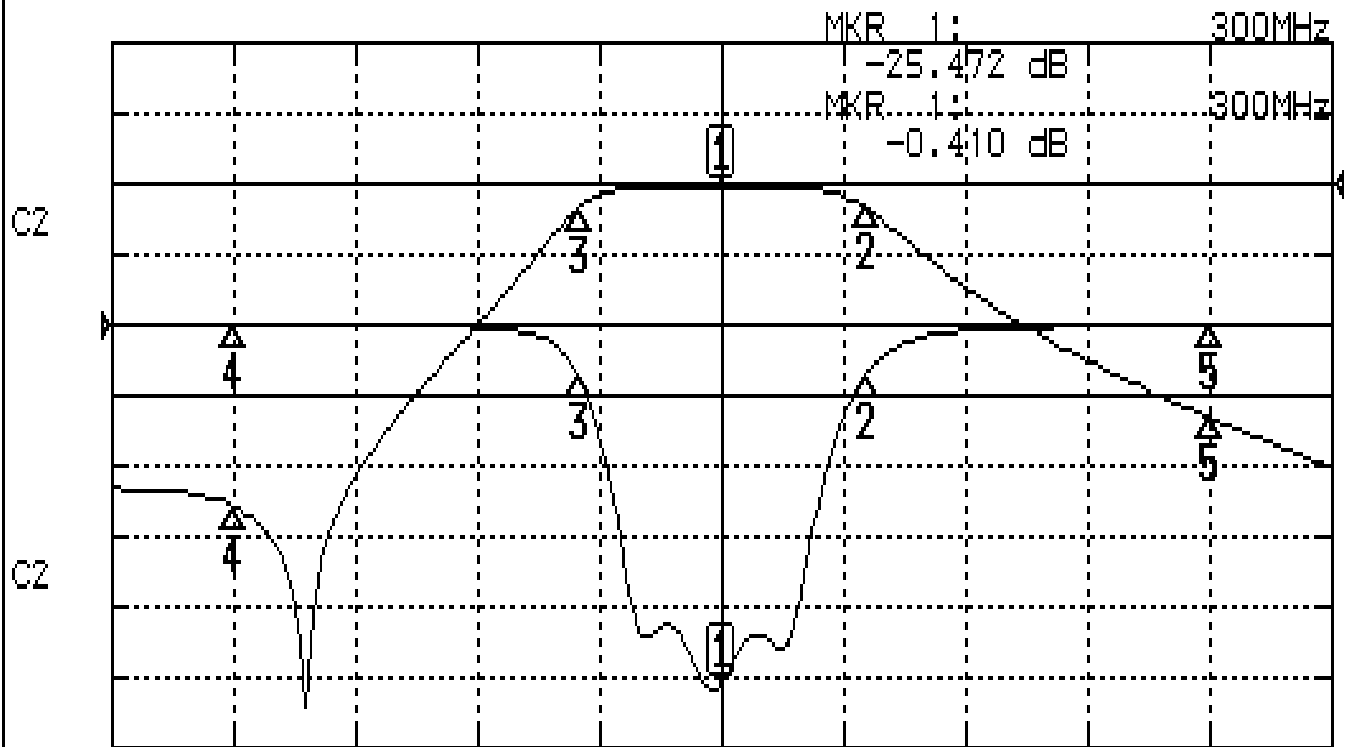
Approval C.Y.Chang	Supervisor C.K.Chang	Designer C.H.Yeh	Aperture size M 環 7B3SM 7H46RB5.5
-----------------------	-------------------------	---------------------	---

TEMWELL CORPORATION

Performance-TT63557A-300M

201605010CD

CH1 S11 LOG MAG REF 0.000 dB 5.000 dB/
CH2 S21 LOG MAG REF 0.000 dB 10.000 dB/



CENTER 300MHz

[10.00 dBm]

SPAN 300MHz

CH1 MARKER LIST

1:	300.000MHz	-25.472 dB
2:	335.500MHz	-3.536 dB
3:	265.000MHz	-3.650 dB
4:	180.000MHz	-0.063 dB
5:	420.000MHz	-0.058 dB

CH2 MARKER LIST

1:	300.000MHz	-0.409 dB
2:	335.500MHz	-3.477 dB
3:	265.000MHz	-3.459 dB
4:	180.000MHz	-45.816 dB
5:	420.000MHz	-33.144 dB