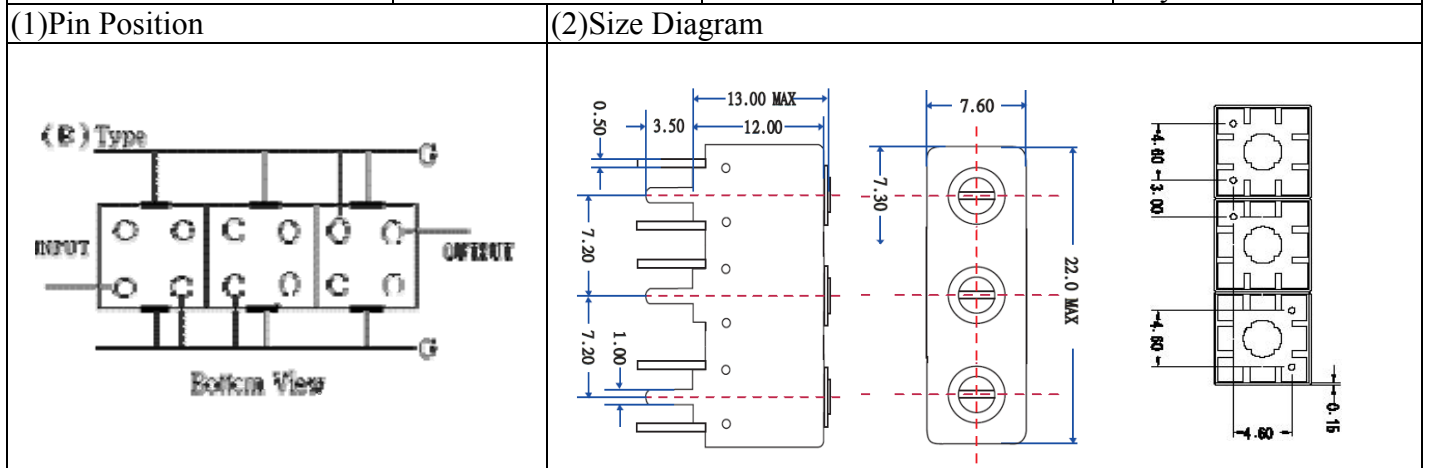
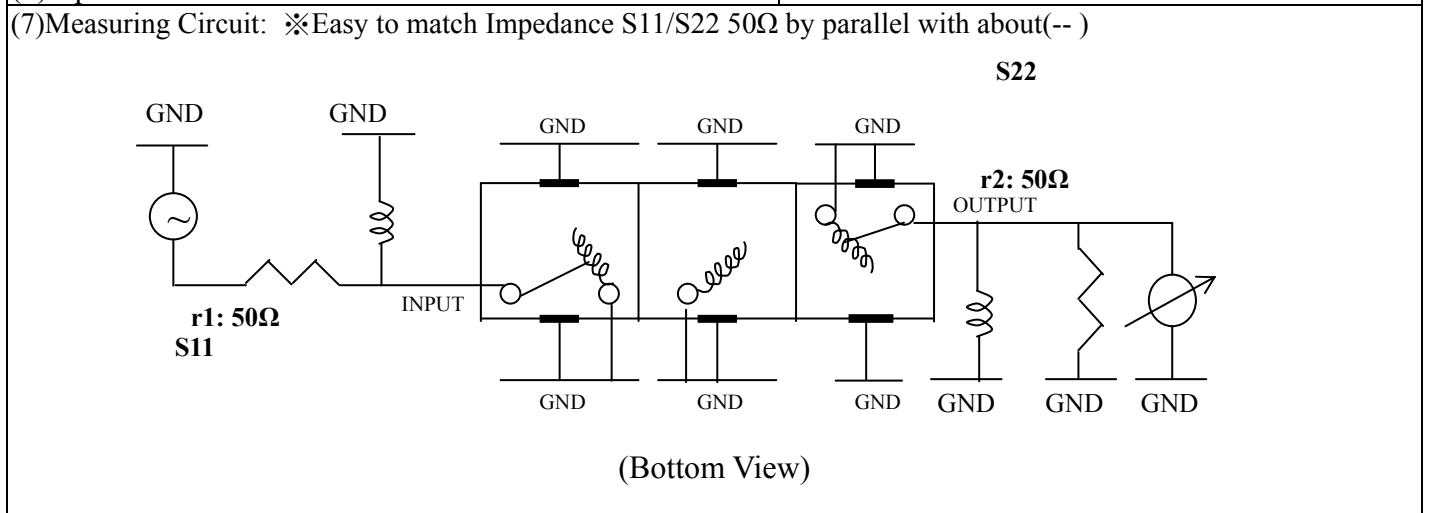


VHF UHF Helical Filter Specification Sheet

Customer Name		Temwell's Part No.	TT63562B-1000M
Approval No. /dated	201605015CD	Temwell's Print name	63562B 1000M
Work Instruction No.	201605015CD	Date	May.20.2016



(3) Electric Characteristic		Specify	Performance
Item			
Center Freq.(Fo) +/- 0.5 %		1000 MHz	1000 MHz
Insertion Loss		Typ. 2.0 dB	0.76 dB
-3 dB Bandwidth		Typ. 200 MHz	210.9 MHz
Sensitivity (Attenuation)	Fo - 200 MHz	> 10 dB	26 dB
	Fo + 200 MHz	> 10 dB	12 dB
	Fo - ()MHz	Typ. dBc	dBc
	Fo + ()MHz	Typ. dBc	dBc
Return Loss		Min. 12 dB	27.1 dB
Ripple		< 1 dB	dB
Impedance		In / Out : 50 Ω	In / Out : 50 Ω
(4) Torque for Tuning Screw		> 60gf · cm	
(5) Temperature Condition:			
Operating Temperature		0°C ~ +60°C	
Storage Temperature		-20°C ~ +70°C	
(6) Input Power		> 1Watt	



Approval	Supervisor	Designer	Aperture size
C.Y.Chang	C.K.Chang	P.H.Chiang	M 環 7HB3SM 7H046RB6.5

TEMWELL CORPORATION

Performance-TT63562B-1000M

201605015CD

