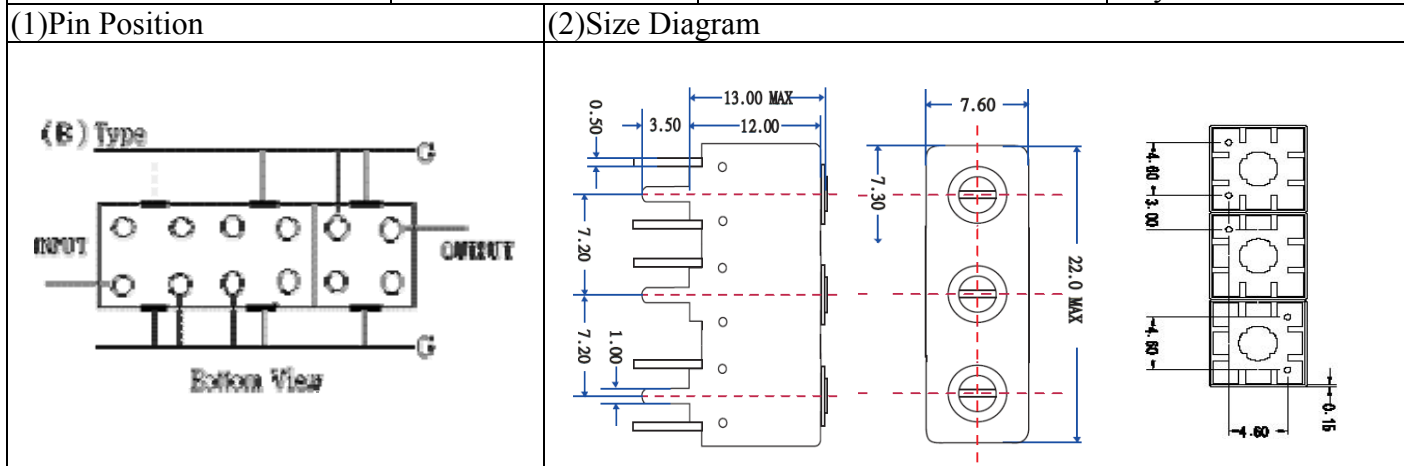


VHF UHF Helical Filter Specification Sheet

Customer Name		Temwell's Part No.	TT63563B-1100M
Approval No. /dated	201605016CD	Temwell's Print name	63563B 1100M
Work Instruction No.	201605016CD	Date	May.20.2016



(3) Electric Characteristic

Item	Specify	Performance
Center Freq.(Fo) +/- 0.5 %	1100 MHz	1100 MHz
Insertion Loss	Typ. 2.0 dB	0.76 dB
-3 dB Bandwidth	Typ. 220 MHz	238.6 MHz
Sensitivity (Attenuation)	Fo - 200 MHz	> 10 dB
	Fo + 200 MHz	> 10 dB
	Fo - ()MHz	Typ. dBc
	Fo + ()MHz	Typ. dBc
Return Loss	Min. 12 dB	18.3 dB
Ripple	< 1 dB	
Impedance	In / Out : 50 Ω	In / Out : 50 Ω

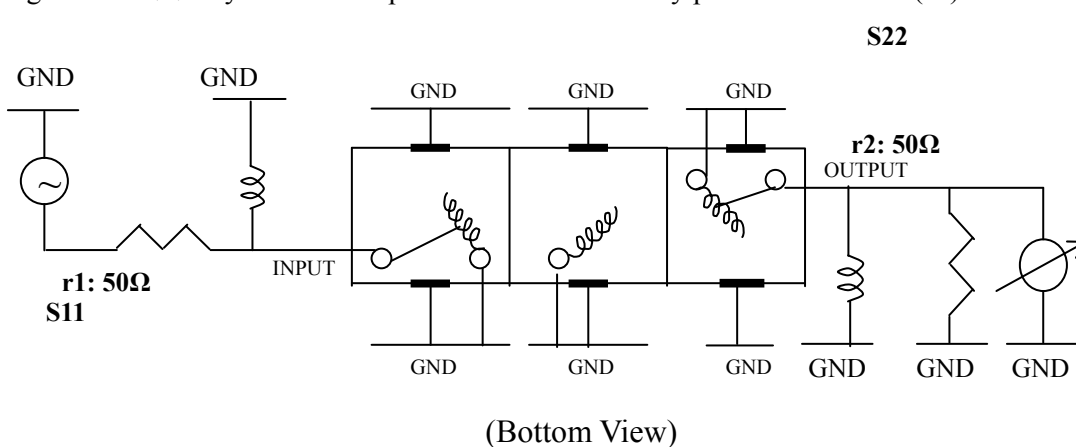
(4) Torque for Tuning Screw > 60gf · cm

(5) Temperature Condition:

Operating Temperature	0°C ~ +60°C
Storage Temperature	-20°C ~ +70°C

(6) Input Power > 1Watt

(7) Measuring Circuit: ※Easy to match Impedance S11/S22 50Ω by parallel with about(--)



Approval	Supervisor	Designer	Aperture size
C.Y.Chang	C.K.Chang	P.H.Chiang	M 環 7HB3SM 7H046RB6.5

TEMWELL CORPORATION

Performance-TT63563B-1100M

201605016CD

