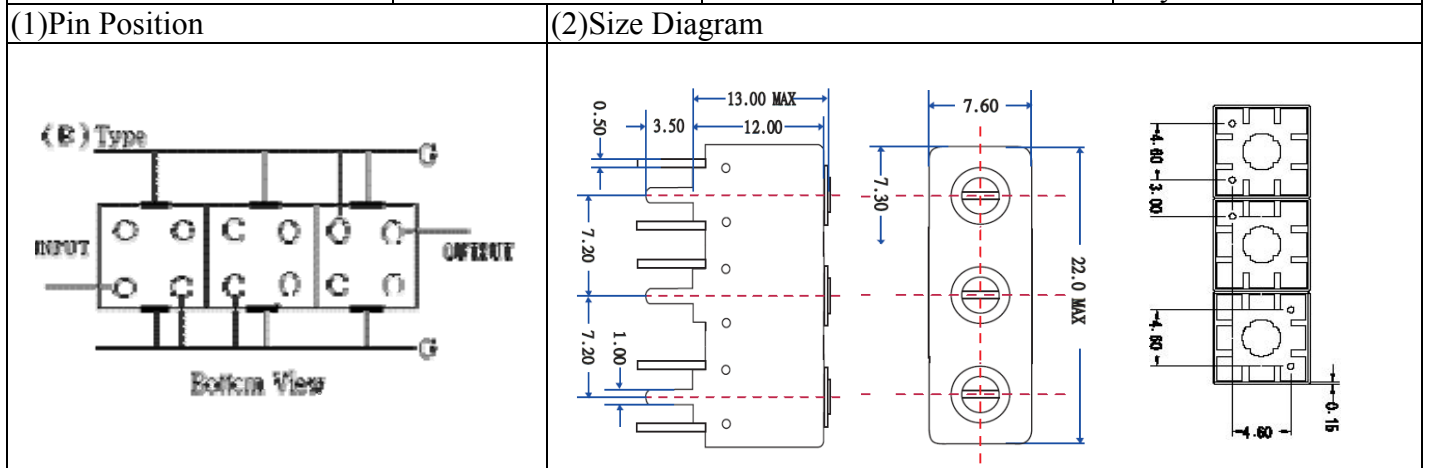
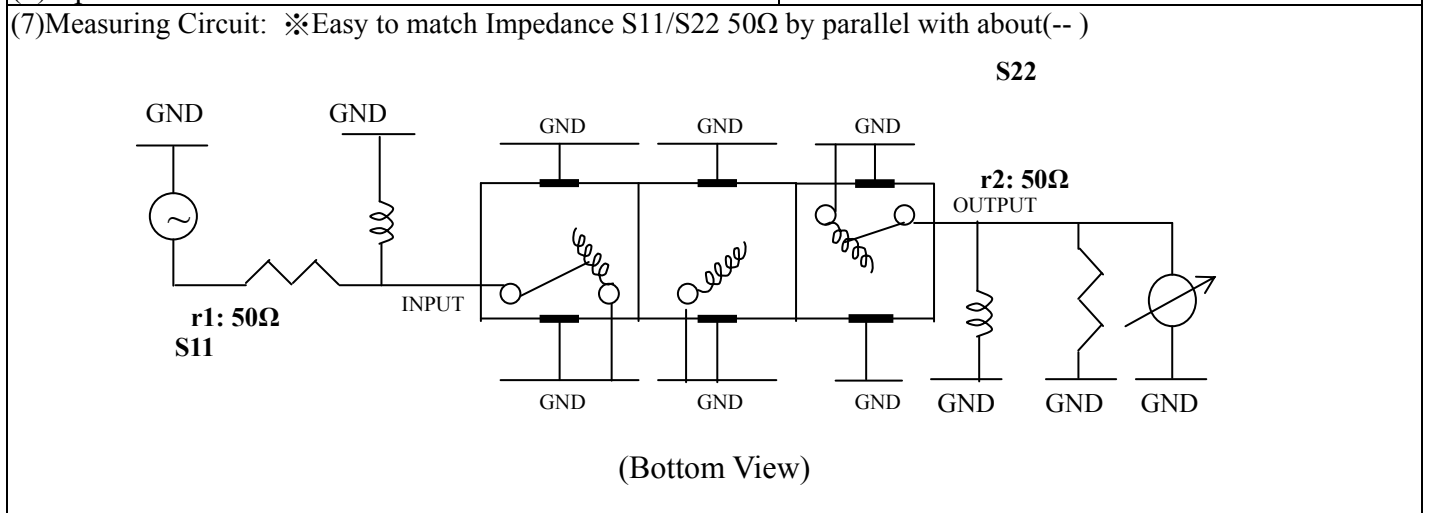


VHF UHF Helical Filter Specification Sheet

Customer Name		Temwell's Part No.	TT63564B-1200M
Approval No. /dated	201605017CD	Temwell's Print name	63564B 1200M
Work Instruction No.	201605017CD	Date	May.12.2016



(3) Electric Characteristic					
Item		Specify		Performance	
Center Freq.(Fo) +/- 0.5 %		1200 MHz		1200 MHz	
Insertion Loss		Typ. 2.0 dB		0.50 dB	
-3 dB Bandwidth		Typ. 240 MHz		255.6 MHz	
Sensitivity (Attenuation)	Fo - 400 MHz	> 10 dB		47 dB	
	Fo + 400 MHz	> 10 dB		23 dB	
	Fo - ()MHz	Typ. dBc		dBc	
	Fo + ()MHz	Typ. dBc		dBc	
Return Loss		Min. 12 dB		29.5 dB	
Ripple		< 1 dB		dB	
Impedance		In / Out : 50 Ω		In / Out : 50 Ω	
(4) Torque for Tuning Screw		> 60gf · cm			
(5) Temperature Condition:					
Operating Temperature		0°C ~ +60°C			
Storage Temperature		-20°C ~ +70°C			
(6) Input Power		> 1Watt			



Approval	Supervisor	Designer	Aperture size
C.Y.Chang	C.K.Chang	C.S.Chang	M 環 7HB3SM 7H046RB6.5

TEMWELL CORPORATION

Performance-TT63564B-1200M

201605017CD

