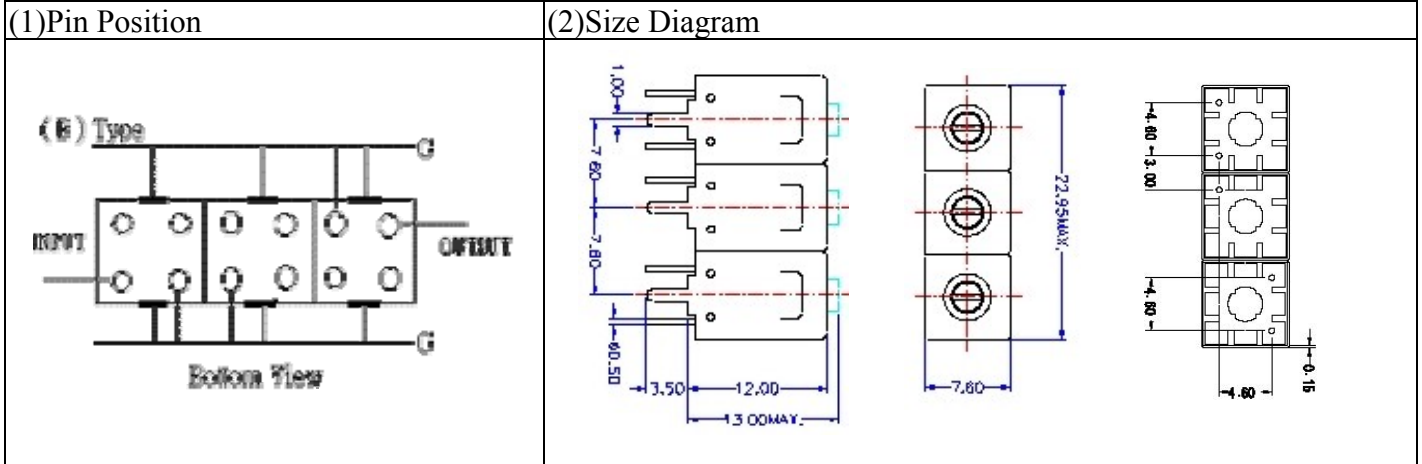


VHF UHF Helical Filter Specification Sheet

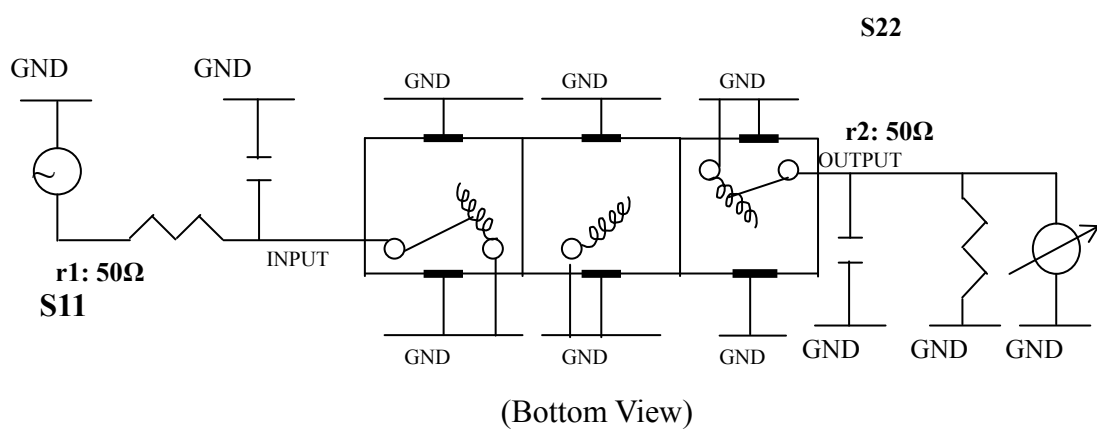
Customer Name		Temwell's Part No.	TT63723B-160M
Approval No. /dated	201711007CD	Temwell's Print name.	63723B 160M
Work Instruction No.	201711007CD	Date	Dec.04.2017



(3) Electric Characteristic			
Item		Specify	Performance
Center Freq.(Fo) +/- 0.5 %		160 MHz	160 MHz
Insertion Loss		Typ. 5.0 dB	4.05 dB
-3 dB Bandwidth		Typ. 2 MHz	4.1 MHz
Sensitivity (Attenuation)	Fo - 10 MHz	Typ. 32 dBc	36 dBc
	Fo + 10 MHz	Typ. 28 dBc	32 dBc
	Fo - () MHz	Typ. dBc	dBc
	Fo + () MHz	Typ. dBc	dBc
Return Loss		Min. 12 dB	30.6 dB
Ripple		< 1 dB	dB
Impedance		In / Out : 50 Ω	In / Out : 50 Ω
(4) Torque for Tuning Screw		> 60gf · cm	

(5) Temperature Condition:	
Operating Temperature	0°C ~ +60°C
Storage Temperature	-20°C ~ +70°C
(6) Input Power	
> 1 Watt	

(7) Measuring Circuit: ※Easy to match Impedance S11/S22 50Ω by parallel with about(--).



Approval C.Y.Chang	Supervisor C.K.Chang	Designer C.S.Chang	Aperture size 7H3S(4*5.5)(5.52) 7H024RB4
-----------------------	-------------------------	-----------------------	--

TEMWELL CORPORATION

Performance-TT63723B-160M

201711007CD

Tr1 S11 Log Mag 5.000dB/ Ref 0.000dB [F2]
Tr2 S21 Log Mag 10.00dB/ Ref 0.000dB [F2]

