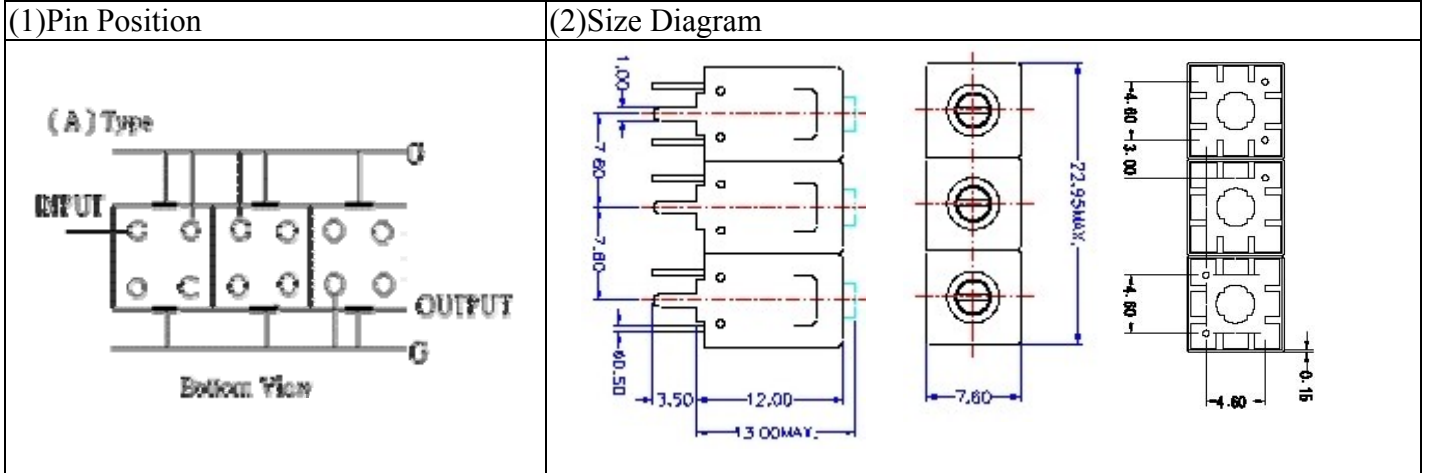
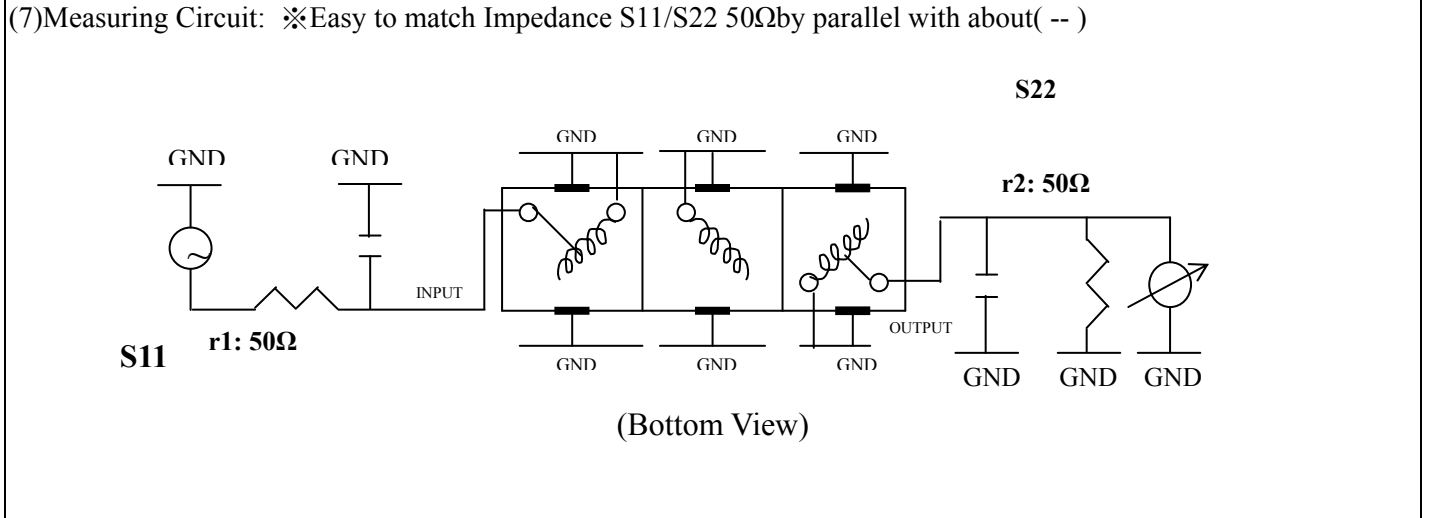


# VHF UHF Helical Filter Specification Sheet

Customer Name		Temwell's Part No.	TT63724A-172M
Approval No. /dated	201711008CD	Temwell's Print Name.	63724A 172M
Work Instruction No.	201711008CD	Date	Dec.05.2017



(3) Electric Characteristic			
Item	Specify	Performance	
Center Freq.(Fo) +/- 0.5 %	172 MHz	172	MHz
Insertion Loss	Typ. 5.0 dB	3.95	dB
-3 dB Bandwidth	Typ. 2 MHz	4.2	MHz
Sensitivity (Attenuation)	Fo - 10 MHz	Typ. 32	dBc
	Fo + 10 MHz	Typ. 27	dBc
	Fo - ( )MHz	Typ.	dBc
	Fo +( )MHz	Typ.	dBc
Return Loss	Min. 12 dB	33.6	dB
Ripple	< 1 dB		dB
Impedance	In / Out : 50 Ω	In / Out : 50 Ω	
(4) Torque for Tuning Screw	> 60gf · cm		
(5) Temperature Condition:			
Operating Temperature	0°C ~ +60°C		
Storage Temperature	-20°C ~ +70°C		
(6) Input Power	> 1Watt		



Approval C.Y.Chang	Supervisor C.K.Chang	Designer C.S.Chang	Aperture size 7H3S(4*5.5)(5.58) 7H024LB4
-----------------------	-------------------------	-----------------------	--

# Performance-TT63724A-172M

## 201711008CD

Tr1 S11 Log Mag 5.000dB/ Ref 0.000dB [F2]  
Tr2 S21 Log Mag 10.00dB/ Ref 0.000dB [F2]

