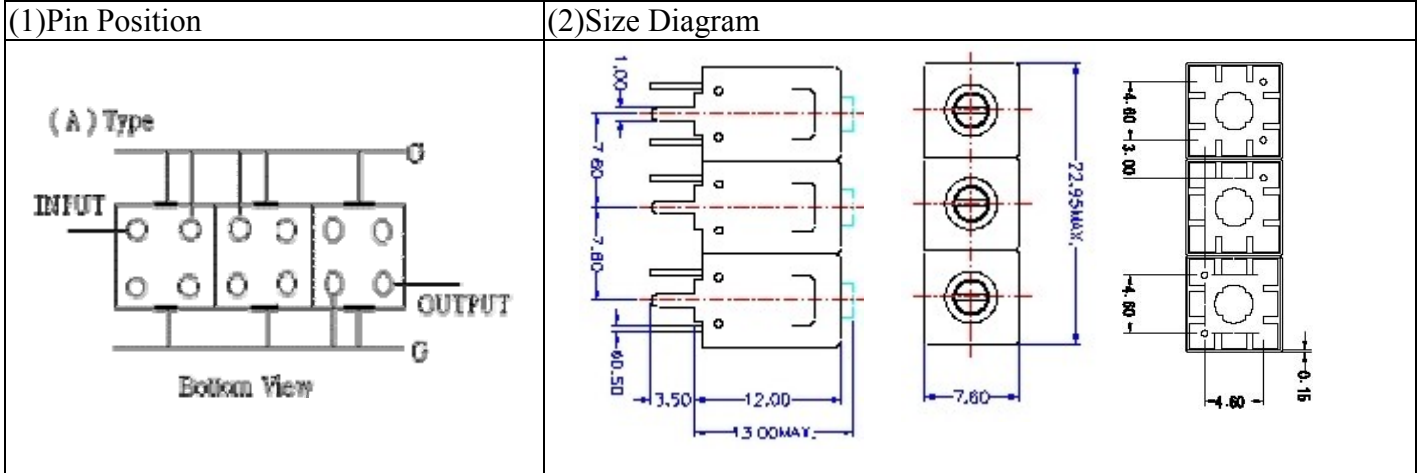
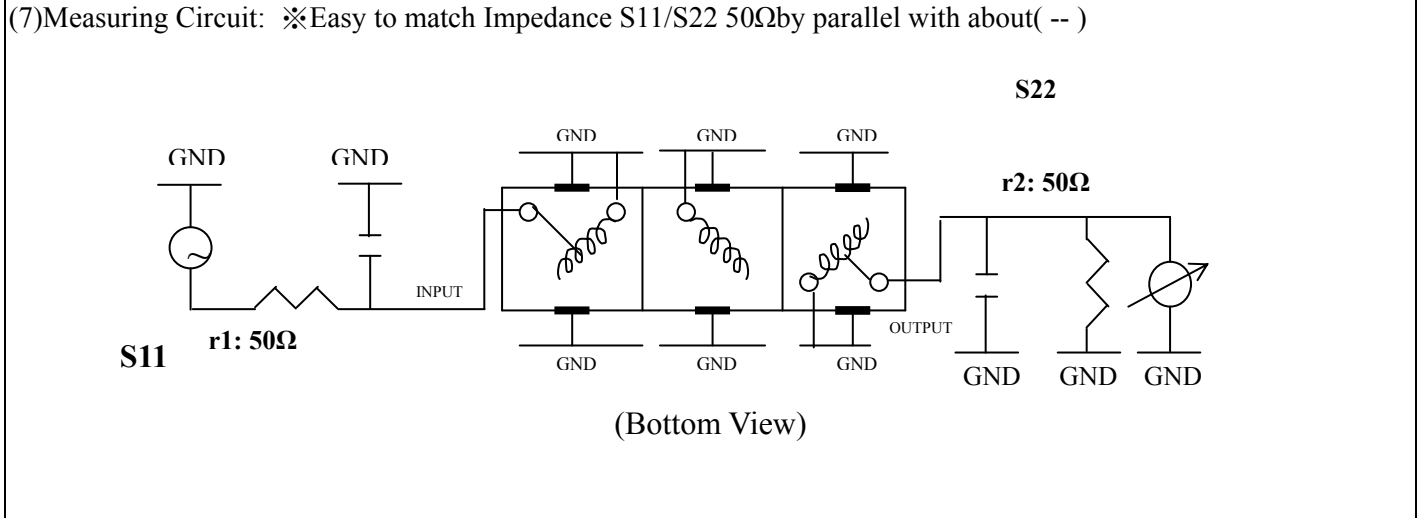


VHF UHF Helical Filter Specification Sheet

Customer Name		Temwell's Part No.	TT63725A-460M
Approval No. /dated	201711009CD	Temwell's Print Name.	63725A 460M
Work Instruction No.	201711009CD	Date	Nov.21.2017



(3) Electric Characteristic			
Item	Specify	Performance	
Center Freq.(Fo) +/- 0.5 %	460 MHz	460 MHz	
Insertion Loss	Typ. 8.0 dB	6.96 dB	
-3 dB Bandwidth	Typ. 2 MHz	4.7 MHz	
Sensitivity (Attenuation)	Fo - 50 MHz	Typ. 50 dBc	60 dBc
	Fo + 50 MHz	Typ. 52 dBc	57 dBc
	Fo - ()MHz	Typ. dBc	dBc
	Fo + ()MHz	Typ. dBc	dBc
Return Loss	Min. 12 dB	20.8 dB	
Ripple	< 1 dB	dB	
Impedance	In / Out : 50 Ω	In / Out : 50 Ω	
(4) Torque for Tuning Screw	> 60gf • cm		
(5) Temperature Condition:			
Operating Temperature	0°C ~ +60°C		
Storage Temperature	-20°C ~ +70°C		
(6) Input Power	> 1 Watt		



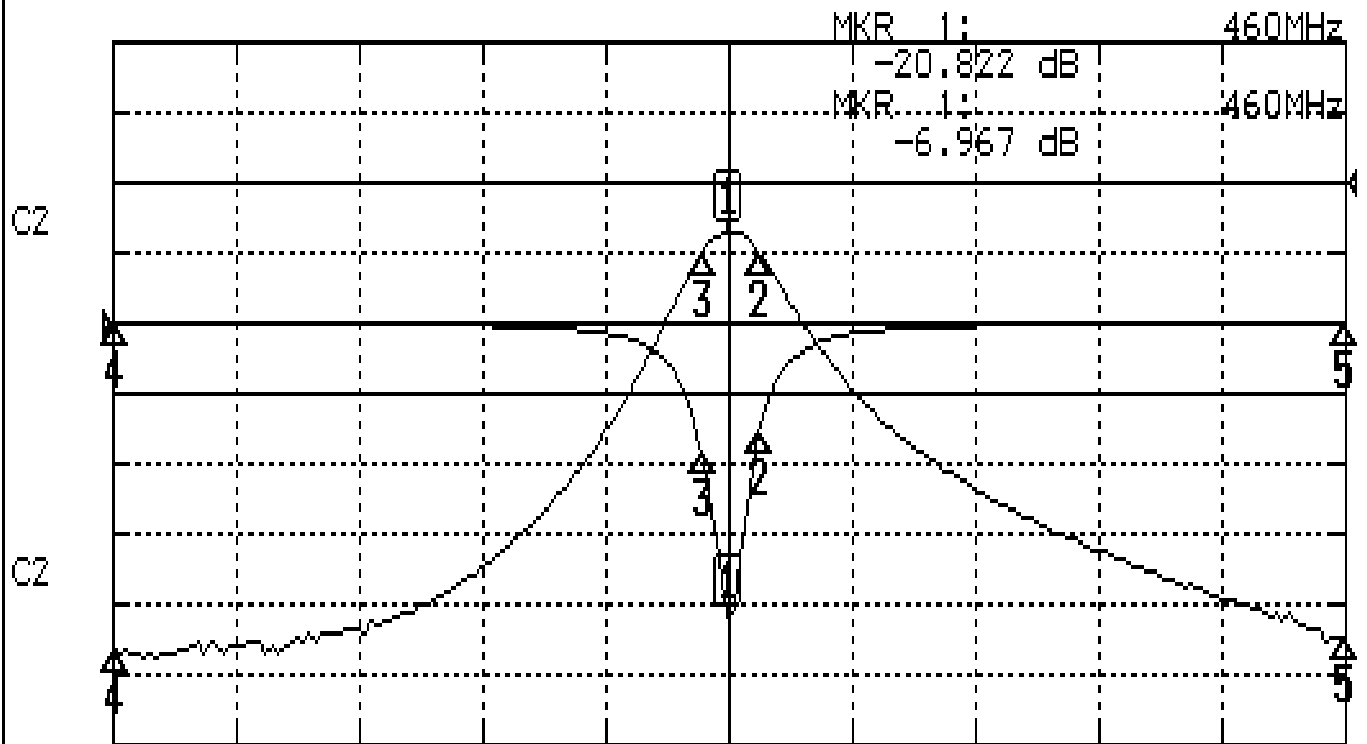
Approval C.Y.Chang	Supervisor C.K.Chang	Designer C.H.Yeh	Aperture size 7H3S(4*4.65)(4.63) 7H046LB4.3 聚 3
-----------------------	-------------------------	---------------------	---

TEMWELL CORPORATION

Performance-TT63725A-460M

201711009CD

CH1 S11 LOG MAG REF 0.000 dB 5.000 dB/
CH2 S21 LOG MAG REF 0.000 dB 10.000 dB/



CENTER 460MHz

[10.00 dBm]

SPAN 100MHz

CH1 MARKER LIST

1:	460.000MHz	-20.800	dB
2:	462.583MHz	-7.599	dB
3:	457.850MHz	-9.228	dB
4:	410.000MHz	0.021	dB
5:	510.000MHz	0.039	dB

CH2 MARKER LIST

1:	460.000MHz	-6.967	dB
2:	462.583MHz	-9.970	dB
3:	457.850MHz	-9.959	dB
4:	410.000MHz	-67.105	dB
5:	510.000MHz	-64.699	dB