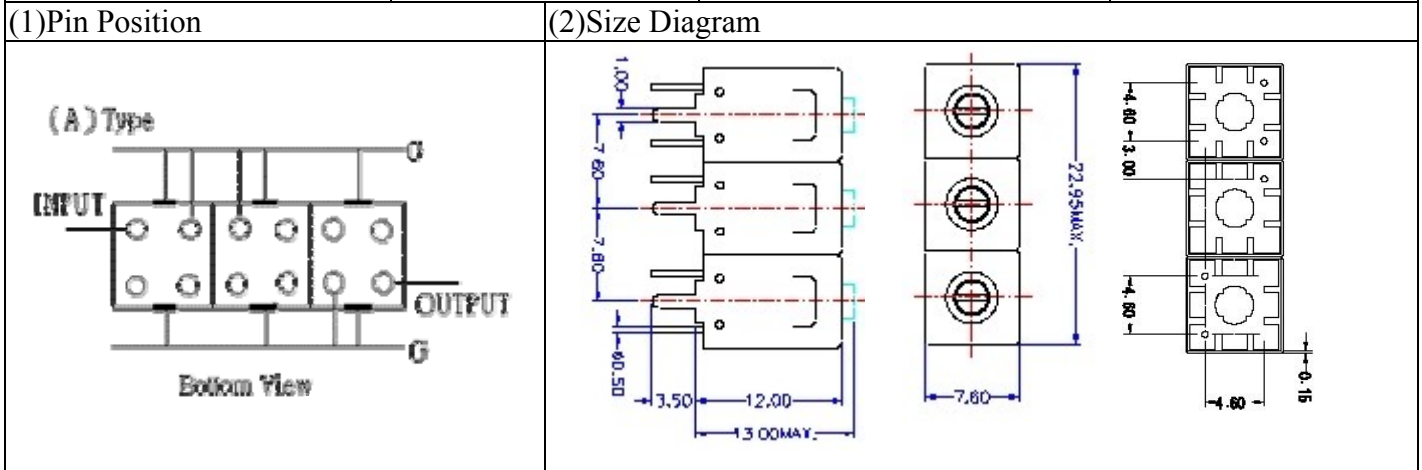


VHF UHF Helical Filter Specification Sheet

Customer Name		Temwell's Part No.	TT63726A-700M
Approval No. /dated	201711010CD	Temwell's Print Name.	63726A 700M
Work Instruction No.	201711010CD	Date	Nov.22.2017



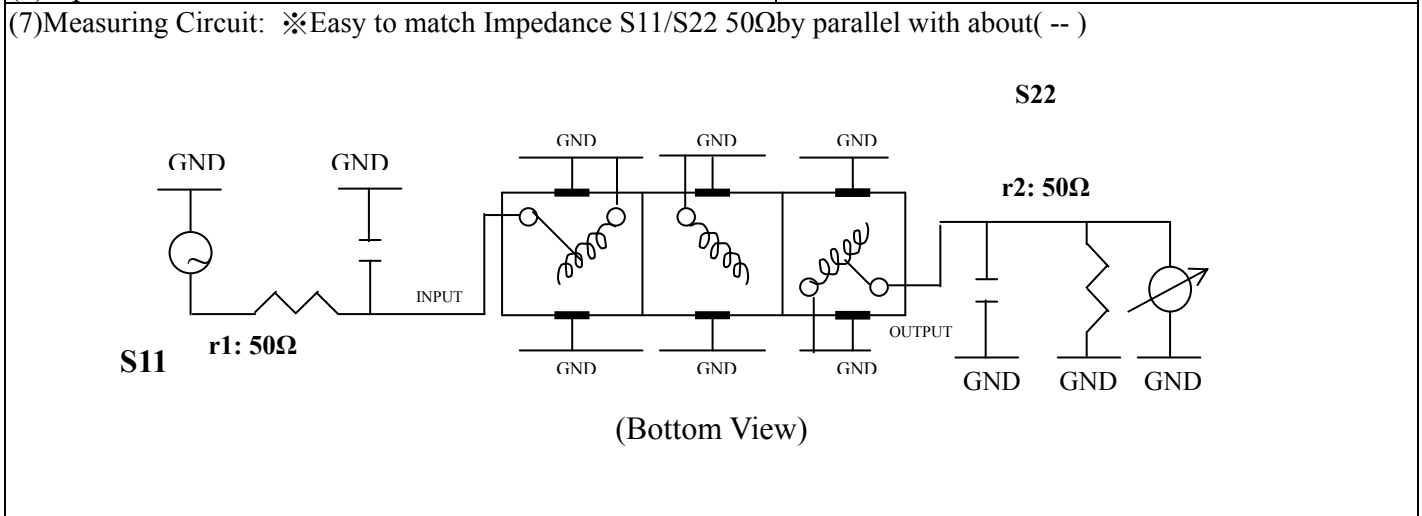
(3) Electric Characteristic

Item	Specify	Performance
Center Freq.(Fo) +/- 0.5 %	700 MHz	700 MHz
Insertion Loss	Typ. 8.0 dB	7.15 dB
-3 dB Bandwidth	Typ. 2 MHz	6.2 MHz
Sensitivity (Attenuation)	Fo - 50 MHz	Typ. 57 dBc
	Fo + 50 MHz	Typ. 51 dBc
	Fo - ()MHz	Typ. dBc
	Fo + ()MHz	Typ. dBc
Return Loss	Min. 12 dB	25.4 dB
Ripple	< 1 dB	
Impedance	In / Out : 50 Ω	In / Out : 50 Ω

(4) Torque for Tuning Screw > 60gf • cm

(5) Temperature Condition:

Operating Temperature	0°C ~ +60°C
Storage Temperature	-20°C ~ +70°C
(6) Input Power	> 1 Watt

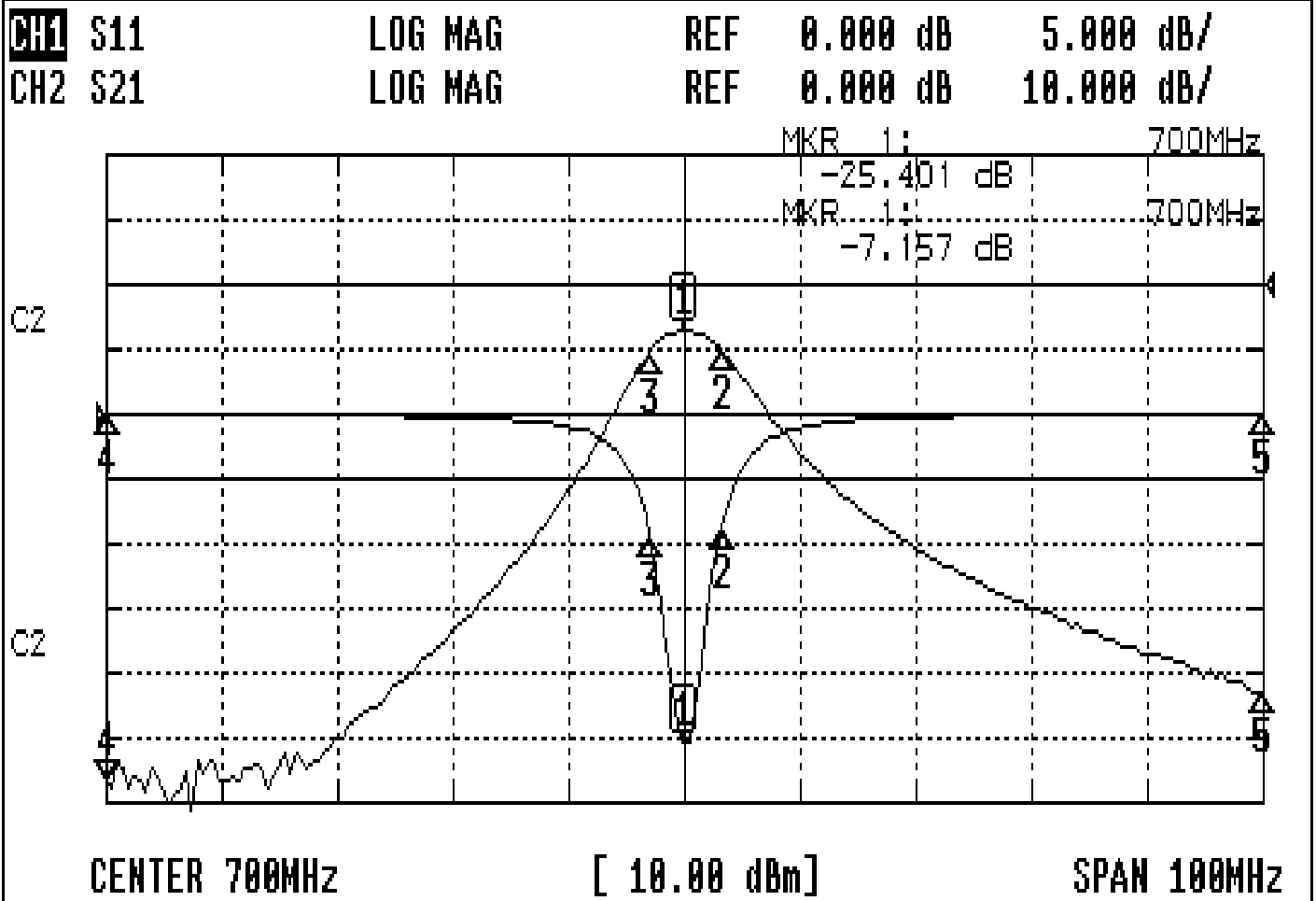


Approval C.Y.Chang	Supervisor C.K.Chang	Designer C.H.Yeh	Aperture size 7H3S(4*4.65)(4.67) 7H046LB4.3 聚 3
-----------------------	-------------------------	---------------------	---

TEMWELL CORPORATION

Performance-TT63726A-700M

201711010CD



CH1 MARKER LIST

1:	700.000MHz	-25.416	dB	
2:	703.333MHz	-10.192	dB	
3:	697.083MHz	-10.144	dB	
4:	650.000MHz	-74.569	dB	
5:	750.000MHz	-63.262	dB	

CH2 MARKER LIST

1:	700.000MHz	-7.157	dB	
2:	703.333MHz	-10.192	dB	
3:	697.083MHz	-10.144	dB	
4:	650.000MHz	-74.569	dB	
5:	750.000MHz	-63.262	dB	