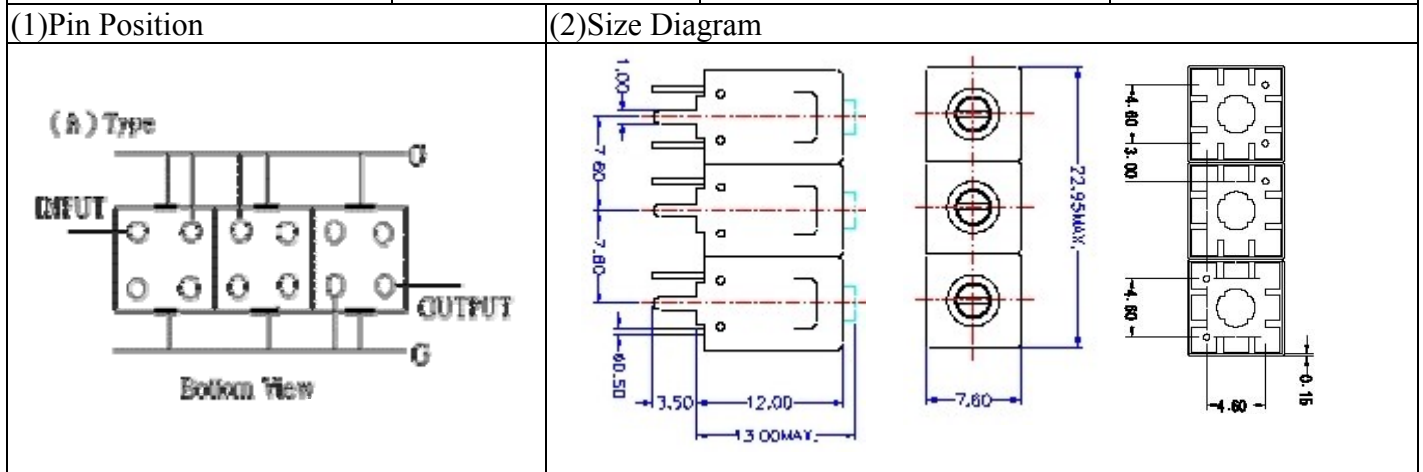
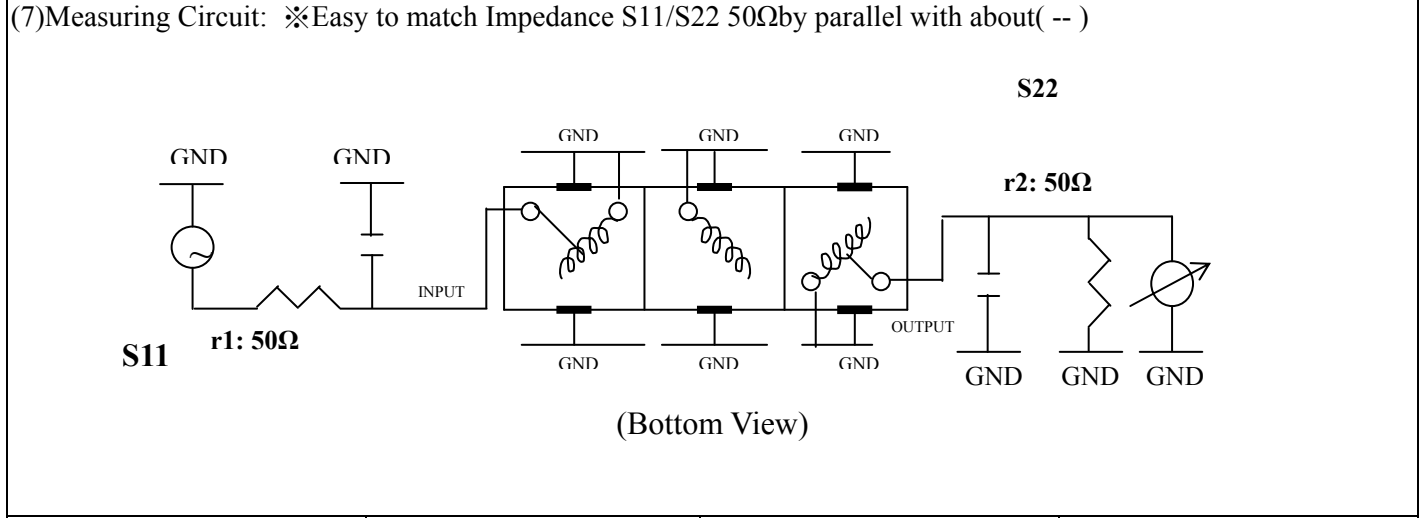


VHF UHF Helical Filter Specification Sheet

Customer Name		Temwell's Part No.	TT63728A-915M
Approval No. /dated	201711012CD	Temwell's Print Name.	63728A 915M
Work Instruction No.	201711012CD	Date	Nov.23.2017



(3) Electric Characteristic			
Item	Specify	Performance	
Center Freq.(Fo) +/- 0.5 %	915 MHz	915	MHz
Insertion Loss	Typ. 7.5 dB	6.45	dB
-3 dB Bandwidth	Typ. 2 MHz	8.7	MHz
Sensitivity (Attenuation)	Fo - 50 MHz	Typ. 55	dBc
	Fo + 50 MHz	Typ. 44	dBc
	Fo - ()MHz	Typ.	dBc
	Fo + ()MHz	Typ.	dBc
Return Loss	Min. 12 dB	25.8	dB
Ripple	< 1 dB		dB
Impedance	In / Out : 50 Ω	In / Out : 50 Ω	
(4) Torque for Tuning Screw	> 60gf • cm		
(5) Temperature Condition:			
Operating Temperature	0°C ~ +60°C		
Storage Temperature	-20°C ~ +70°C		
(6) Input Power	> 1 Watt		

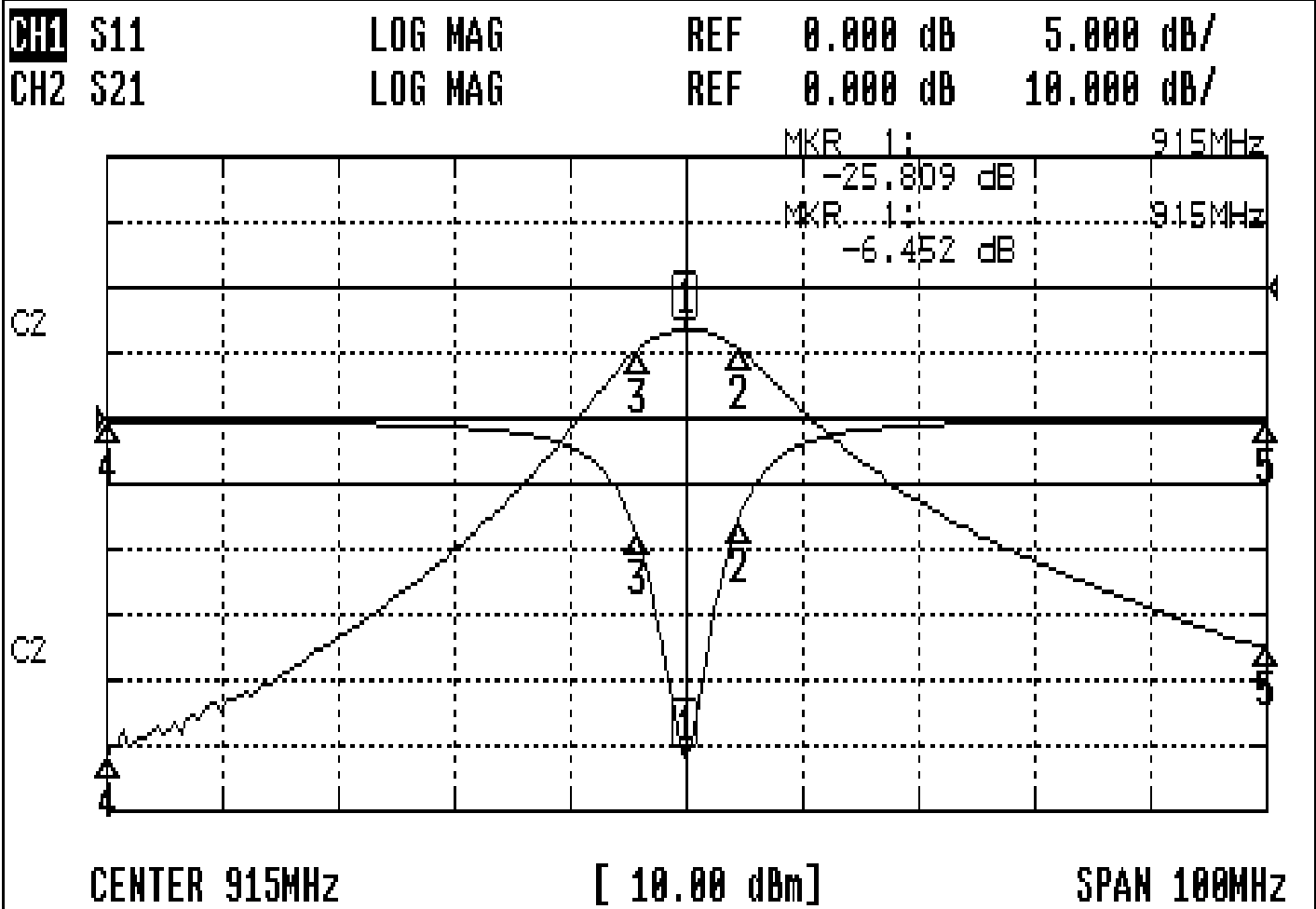


Approval C.Y.Chang	Supervisor C.K.Chang	Designer C.H.Yeh	Aperture size 7H3S(4*4.65)(4.68) 7H046LB4.3 聚 3
-----------------------	-------------------------	---------------------	---

TEMWELL CORPORATION

Performance-TT63728A-915M

201711012CD



CH1 MARKER LIST

1:	915.000MHz	-25.809	dB
2:	919.600MHz	-7.795	dB
3:	910.840MHz	-9.089	dB
4:	865.000MHz	-0.216	dB
5:	965.000MHz	-0.160	dB

CH2 MARKER LIST

1:	915.000MHz	-6.452	dB
2:	919.600MHz	-9.445	dB
3:	910.840MHz	-9.430	dB
4:	865.000MHz	-71.787	dB
5:	965.000MHz	-55.438	dB