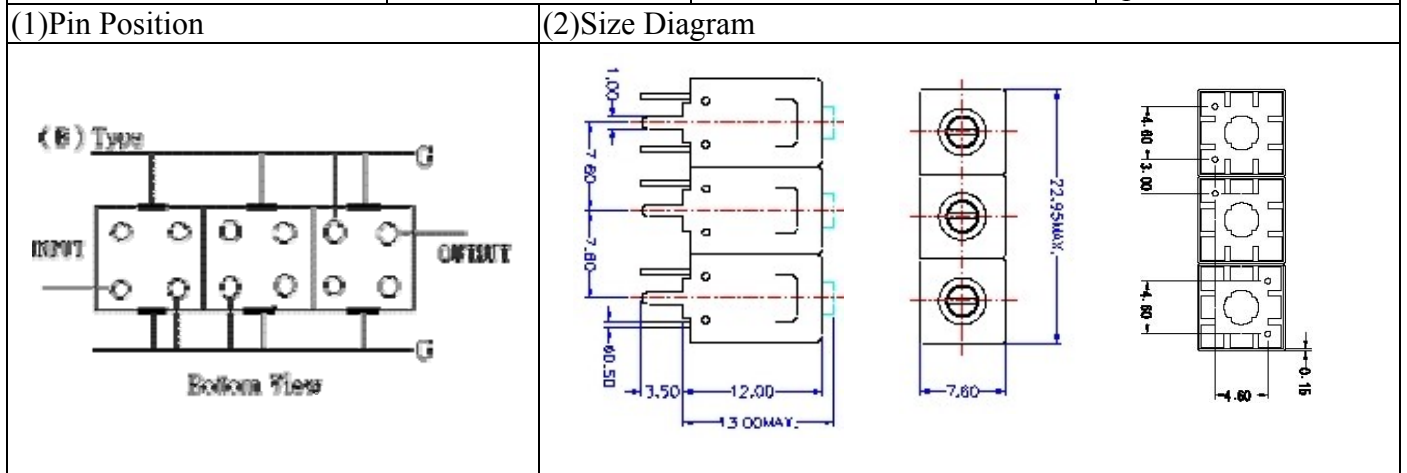


VHF UHF Helical Filter Specification Sheet

Customer Name		Temwell's Part No.	TT63775BB-146M-20M
Approval No. /dated	201804031CD	Temwell's Print name	63775B 146M
Work Instruction No.	201804031CD	Date	Apr.19.2018



(3) Electric Characteristic

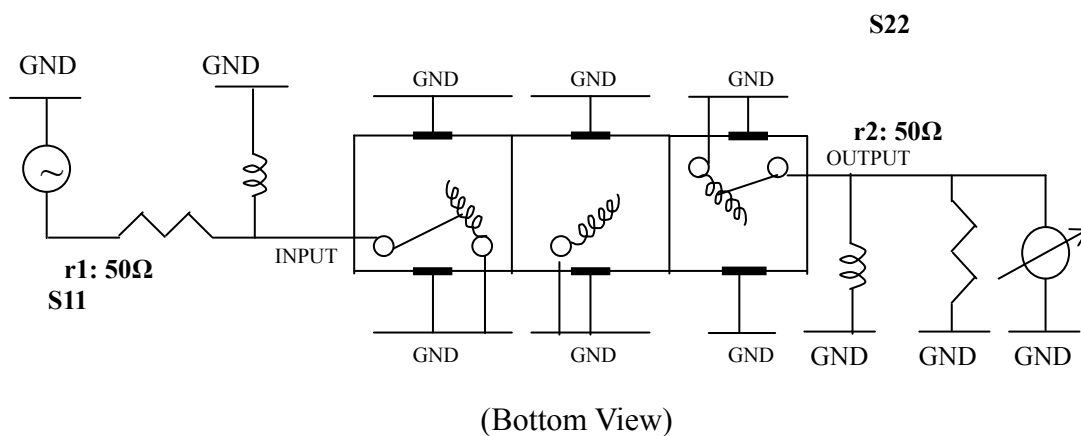
Item	Specify	Performance
Center Freq.(Fo) +/- 0.5 %	146 MHz	146 MHz
Insertion Loss	Typ. 2.0 dB	1.34 dB
-3 dB Bandwidth	Typ. 20 MHz	22.1 MHz
Sensitivity (Attenuation)	Fo - 30 MHz	Typ. 28 dBc
	Fo + 30 MHz	Typ. 25 dBc
		dB
		dB
Return Loss	Min. 12 dB	29.6 dB
Ripple	< 1 dB	dB
Impedance	In / Out : 50 Ω	In / Out : 50 Ω
(4) Torque for Tuning Screw	> 60gf · cm	

(5) Temperature Condition:

Operating Temperature	-20°C ~ +70°C
Storage Temperature	-30°C ~ +70°C

(6) Input Power > 1Watt

(7) Measuring Circuit: ※Easy to match Impedance S11/S22 50Ω by parallel with about (--) .



Approval	Supervisor	Designer	Aperture size
C.Y.Chang	C.K.Chang	C.S.Chang	7H3B(4x5.5)(5.54) 7H024LB6.5

TEMWELL CORPORATION

Performance-TT63775B-146M-20M

201804031CD

Tr1 S11 Log Mag 5.000dB/ Ref 0.000dB [F2]
Tr2 S21 Log Mag 10.000dB/ Ref 0.000dB [F2]

