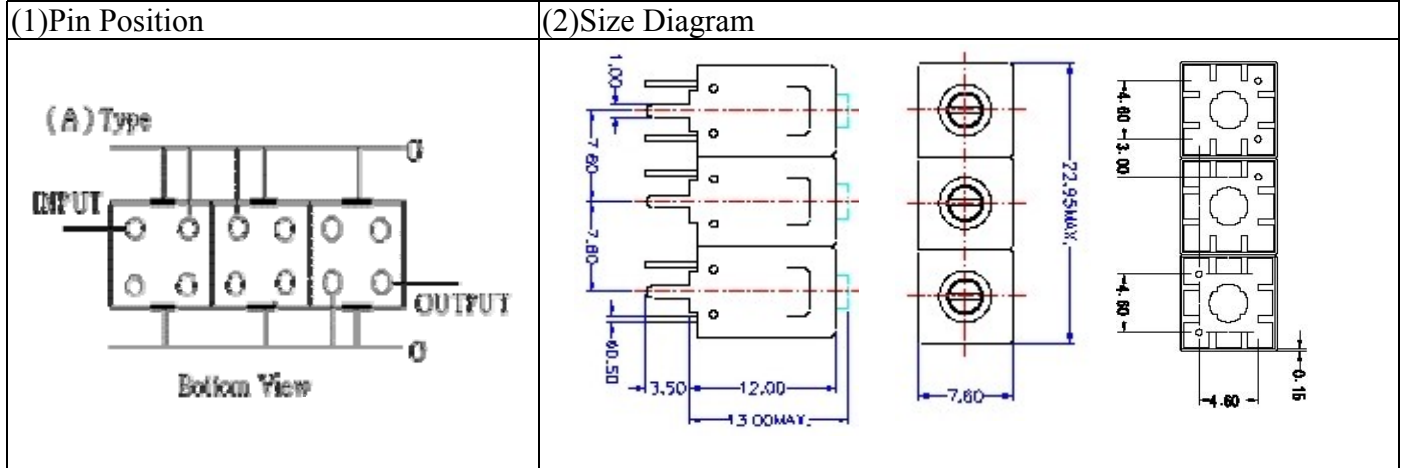


VHF UHF Helical Filter Specification Sheet

Customer Name		Temwell's Part No.	TT63782A-915M-50M
Approval No. /dated	201804039CD	Temwell's print name	63782A 915M
Work Instruction No.	201804039CD	Date	Apr.20.2018



(3)Electric Charasteric

Item	Specify	Performance	
Center Freq.(Fo) +/- 0.5 %	915 MHz	915 MHz	
Insertion Loss	Typ. 2.5 dB	1.47 dB	
-3 dB Bandwidth	Typ. 55 MHz	61.7 MHz	
Sensitivity (Attenuation)	Fo - 100 MHz	Typ. 39 dBc	44 dBc
	Fo + 100 MHz	Typ. 23 dBc	26 dBc
	Fo - ()MHz	Typ. dBc	dBc
	Fo +()MHz	Typ. dBc	dBc
Return Loss	Min. 12 dB	23.8 dB	
Ripple	< 1 dB	dB	
Impedance	In / Out : 50 Ω	In / Out : 50 Ω	

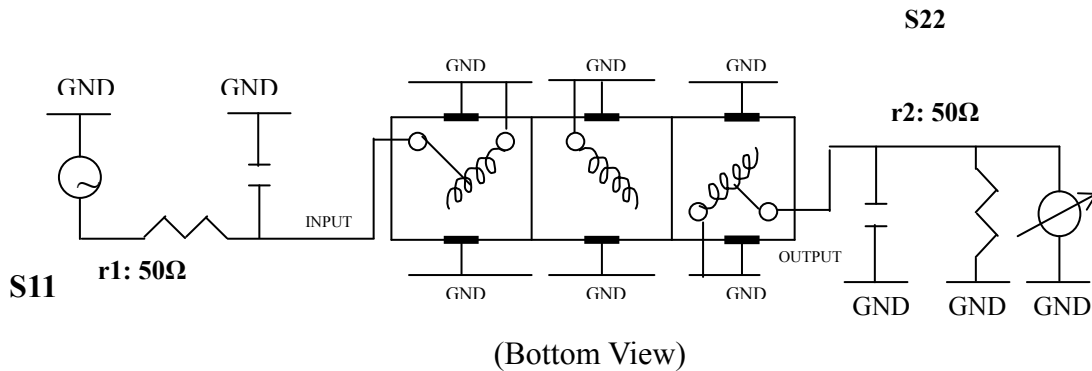
(4)Torque for Tuning Screw > 60gf • cm

(5)Temperature Condition:

Operating Temperature	0°C ~ +60°C
Storage Temperature	-20°C ~ +70°C

(6)Input Power > 1Watt

(7)Measuring Circuit: ※Easy to match Impedance S11/S22 50Ωby parallel with about(- -).



Approval C.Y.Chang	Supervisor C.K.Chang	Designer Z.Y.Wang	Aperture size 7H3S(4*7.35)(7.38) 7H046LB5
-----------------------	-------------------------	----------------------	---

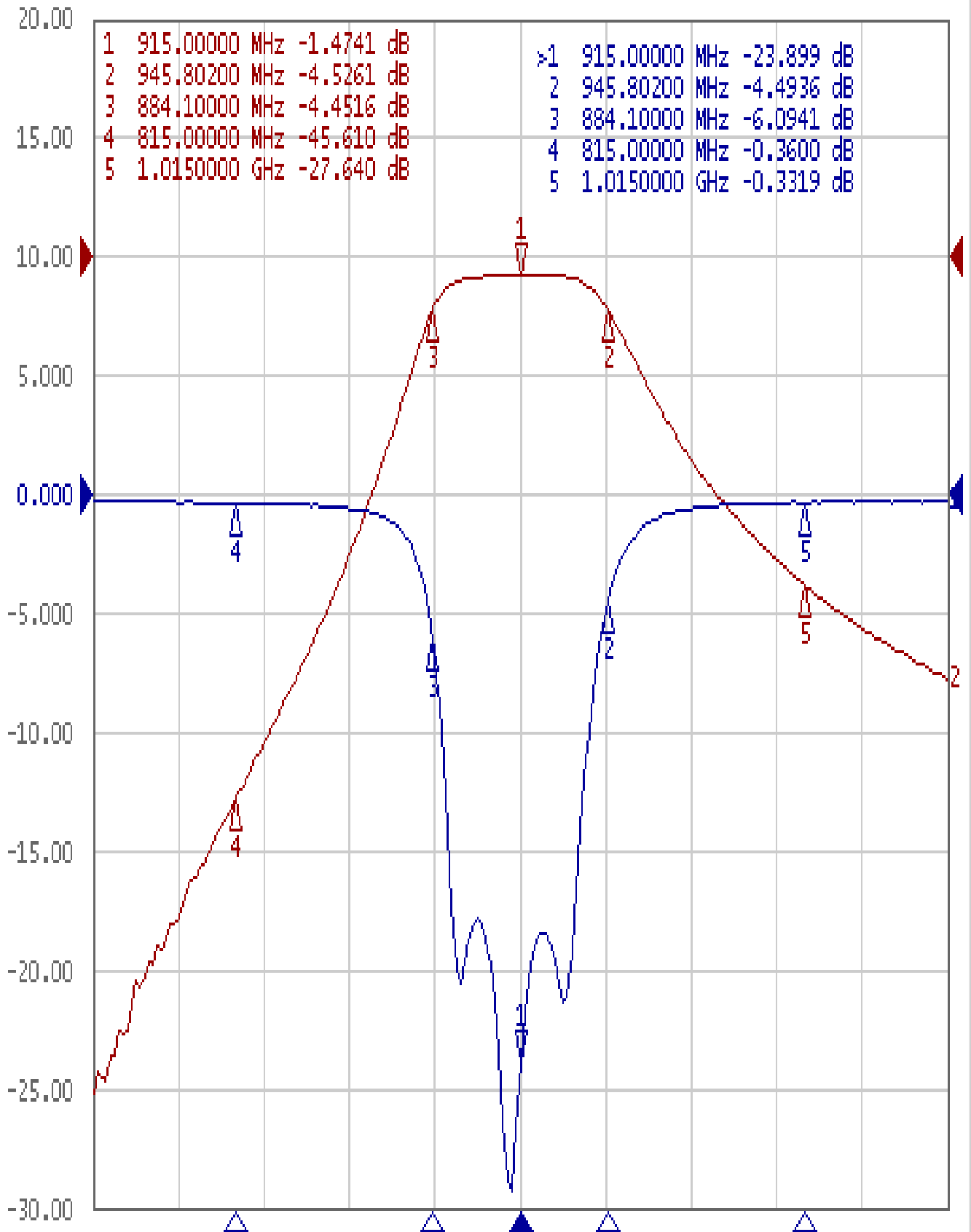
TEMWELL CORPORATION

Performance-TT63782A-915M-50M

201804039CD

▶ Tr1 S11 Log Mag 5.000dB/ Ref 0.000dB [F2]

Tr2 S21 Log Mag 10.00dB/ Ref 0.000dB [F2]



1 Center 915 MHz

IFBW 70 kHz

Span 300 MHz

Cor !