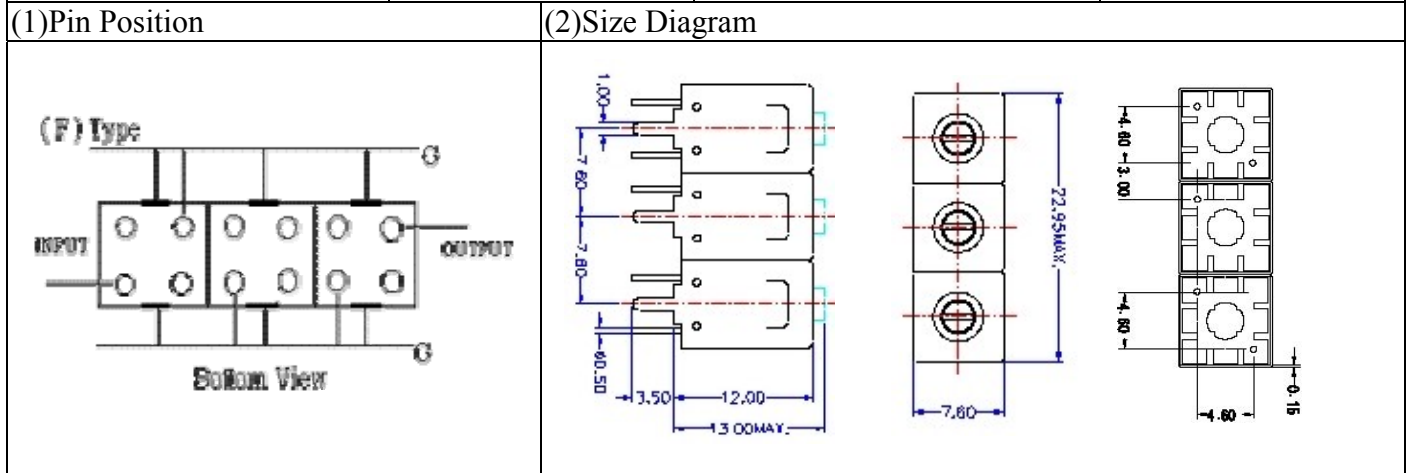


# VHF UHF Helical Filter Specification Sheet

Customer Name		Temwell's Part No.	TT63783F-915M-80M
Approval No. /dated	201804040CD	Temwell's print name	63783F 915M
Work Instruction No.	201804040CD	Date	Apr.25.2018



(3) Electric Characteristic

Item	Specify	Performance	
Center Freq.(Fo) +/- 0.5 %	915 MHz	915 MHz	
Insertion Loss	Typ. 2.0 dB	1.20 dB	
-3 dB Bandwidth	Typ. 80 MHz	87.2 MHz	
Sensitivity (Attenuation)	Fo - 100 MHz	Typ. 27 dBc	31 dBc
	Fo +100 MHz	Typ. 15 dBc	20 dBc
	Fo - ( )MHz	Typ. dBc	dBc
	Fo +( )MHz	Typ. dBc	dBc
Return Loss	Min. 12 dB	22.2 dB	
Ripple	< 1 dB	dB	
Impedance	In / Out : 50 Ω	In / Out : 50 Ω	

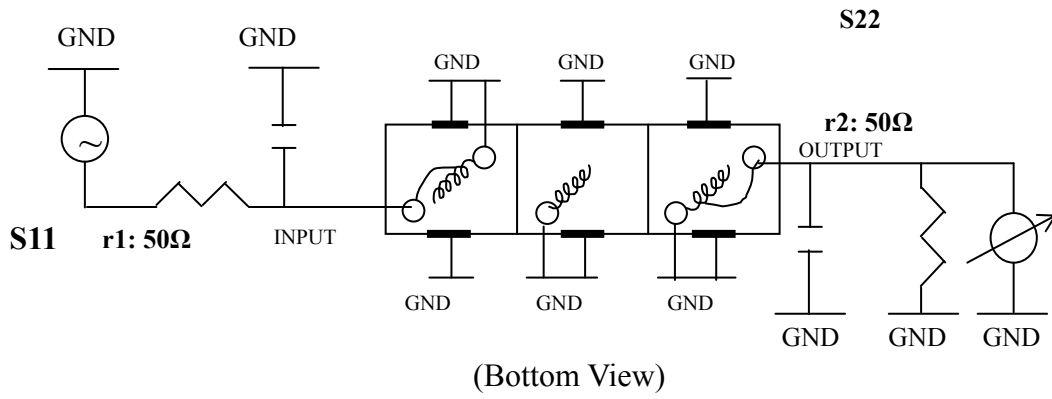
(4) Torque for Tuning Screw > 60gf · cm

(5) Temperature Condition:

Operating Temperature	0°C ~ +60°C
Storage Temperature	-20°C ~ +70°C

(6) Input Power > 1 Watt

(7) Measuring Circuit: ※Easy to match Impedance S11/S22 50Ω by parallel with about(- -).



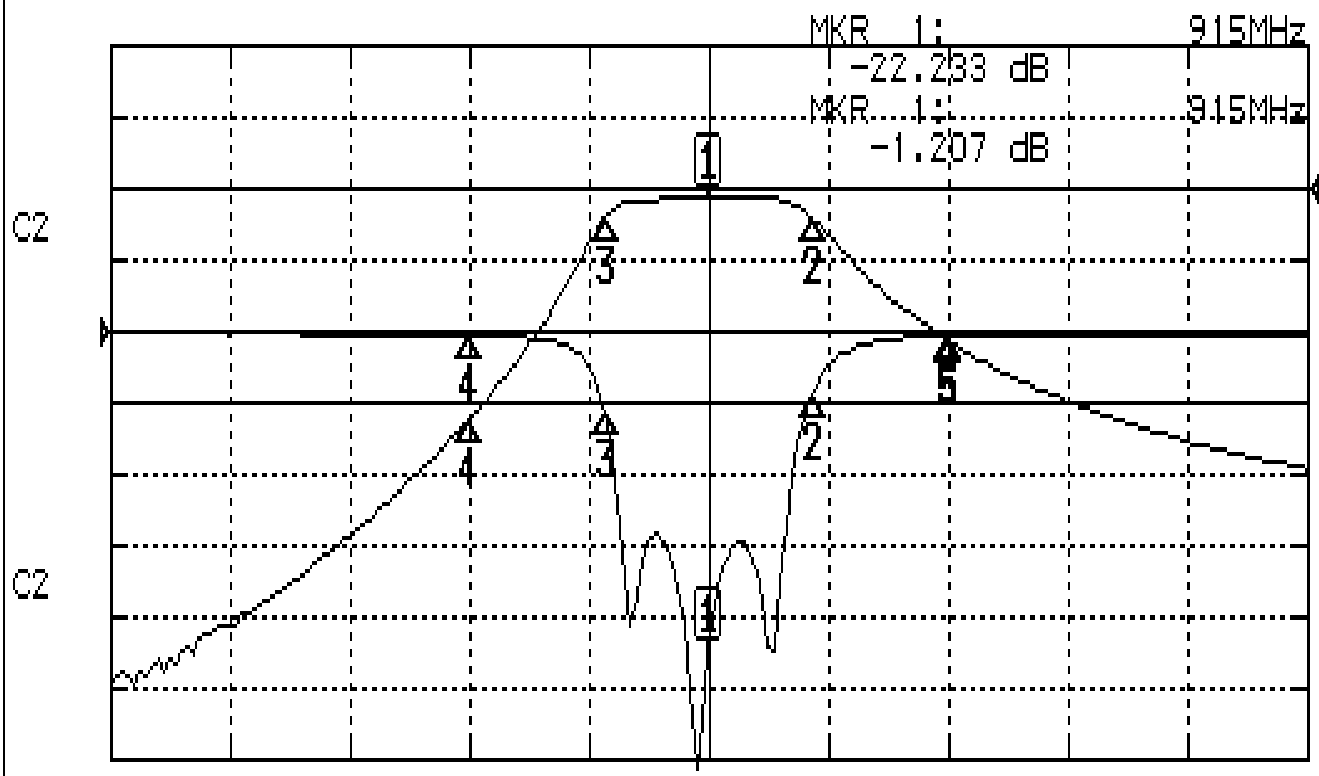
Approval	Supervisor	Designer	Aperture size
C.Y.Chang	C.K.Chang	C.H.Yeh	7H3S(4*6.5)(6.58) 7H046LB5.5(J1)

TEMWELL CORPORATION

# Performance-TT63783F-915M-80M

## 201804040CD

CH1 S11 LOG MAG REF 0.000 dB 5.000 dB/  
CH2 S21 LOG MAG REF 0.000 dB 10.000 dB/



CENTER 915MHz

[ 10.00 dBm ]

SPAN 500MHz

### CH1 MARKER LIST

Marker	Frequency	Value
1	915.000MHz	-22.233 dB
2	958.750MHz	-4.318 dB
3	971.500MHz	-5.387 dB
4	915.000MHz	-0.274 dB
5	1.015 000GHz	-0.290 dB

### CH2 MARKER LIST

Marker	Frequency	Value
1	915.000MHz	-1.207 dB
2	958.750MHz	-4.229 dB
3	971.500MHz	-4.250 dB
4	915.000MHz	-32.252 dB
5	1.015 000GHz	-21.336 dB