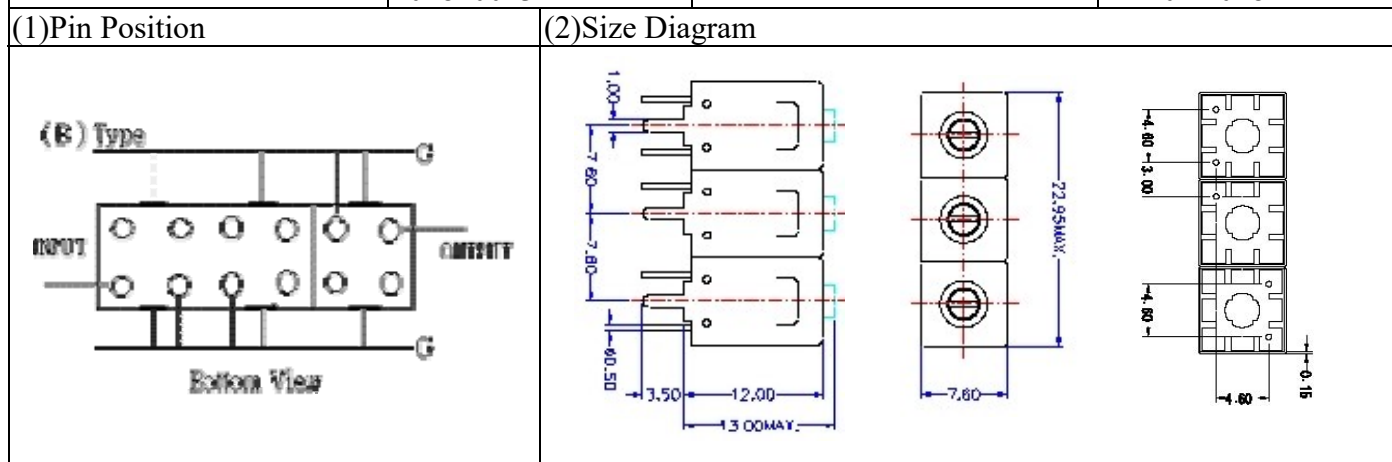


# VHF UHF Helical Filter Specification Sheet

Customer Name		Temwell's Part No.	TT63810B-1437.9M
Approval No. /dated	201810023CD	Temwell's Print name	63810B 1437.9M
Work Instruction No.	201810023CD	Date	Nov.02.2018



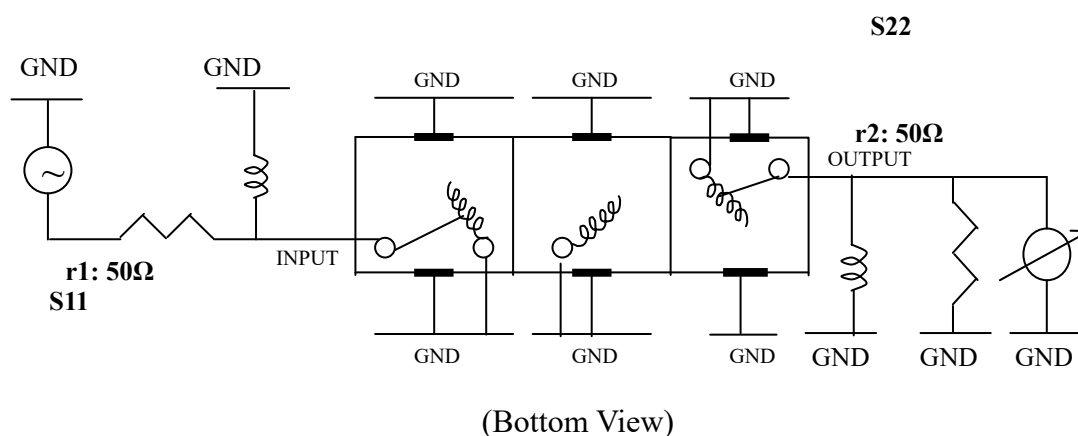
(3) Electric Characteristic			
Item		Specify	Performance
Center Freq.(Fo) +/- 0.5 %		1437.9 MHz	1437.9 MHz
Insertion Loss		Typ. 2.5 dB	1.45 dB
-3 dB Bandwidth		Typ. 90 MHz	99.1 MHz
Sensitivity (Attenuation)	Fo - 100 MHz	Typ. 19 dBc	24 dBc
	Fo + 100 MHz	Typ. 11 dBc	16 dBc
	Fo - ( )MHz	Typ. dBc	dBc
	Fo +( )MHz	Typ. dBc	dBc
Return Loss		Min. 12 dB	19.0 dB
Ripple		< 1 dB	dB
Impedance		In / Out : 50 Ω	In / Out : 50 Ω

(4) Torque for Tuning Screw > 60gf · cm

(5) Temperature Condition:	
Operating Temperature	0°C ~ +60°C
Storage Temperature	-20°C ~ +70°C

(6) Input Power > 1Watt

(7) Measuring Circuit: ※Easy to match Impedance S11/S22 50Ω by parallel with about( -- ) .



Approval	Supervisor	Designer	Aperture size
C.Y.Chang	C.K.Chang	P.H.Chiang	7H3S(4*7.35)(7.38) 7H046RB5.5

TEMWELL CORPORATION

# Performance-TT63810B-1437.9M

## 201810023CD

