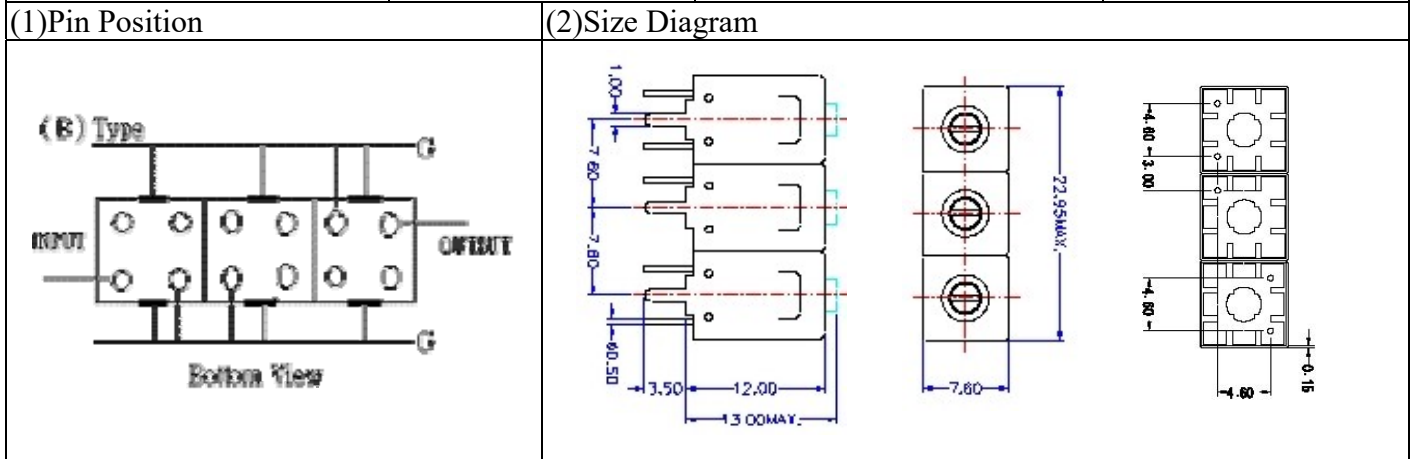


# VHF UHF Helical Filter Specification Sheet

Customer Name		Temwell's Part No.	TT63812B-782M
Approval No. /dated	201810025CD	Temwell's Print name	63812B 782M
Work Instruction No.	201810025CD	Date	Nov.04.2018



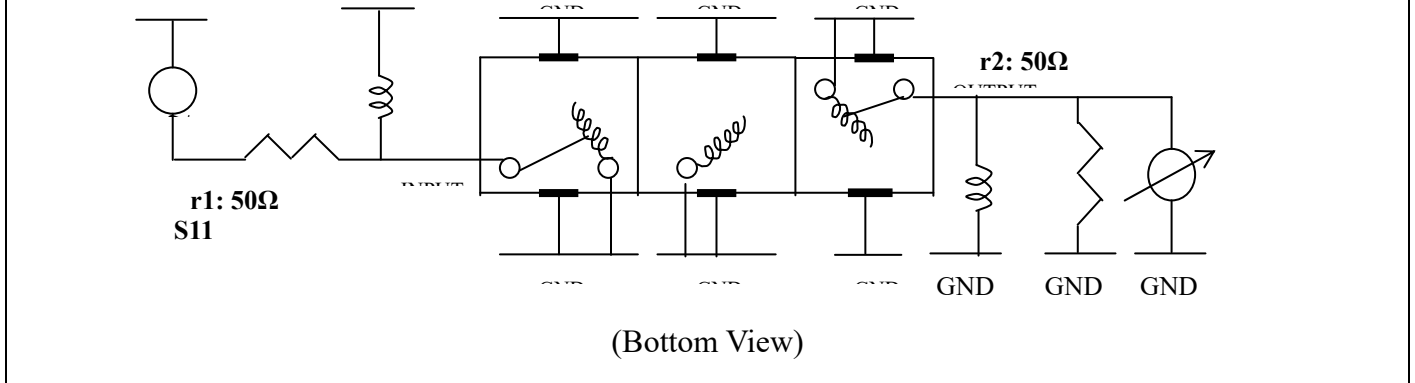
(3) Electric Characteristic			
Item	Specify	Performance	
Center Freq.(Fo) +/- 0.5 %	782 MHz	782	MHz
Insertion Loss	Typ. 4.0 dB	3.03	dB
-3 dB Bandwidth	Typ. 15 MHz	17.0	MHz
Sensitivity (Attenuation)	Fo - (50) MHz	Typ. 42	dBc
	Fo + (50) MHz	Typ. 27	dBc
		Typ.	dBc
		Typ.	dBc
Return Loss	Min. 12 dB	33.8	dB
Ripple	< 1 dB		dB
Impedance	In / Out : 50 Ω	In / Out : 50 Ω	

(4) Torque for Tuning Screw > 60gf · cm

(5) Temperature Condition:

Operating Temperature	0°C ~ +60°C
Storage Temperature	-20°C ~ +70°C

(6) Input Power > 1Watt



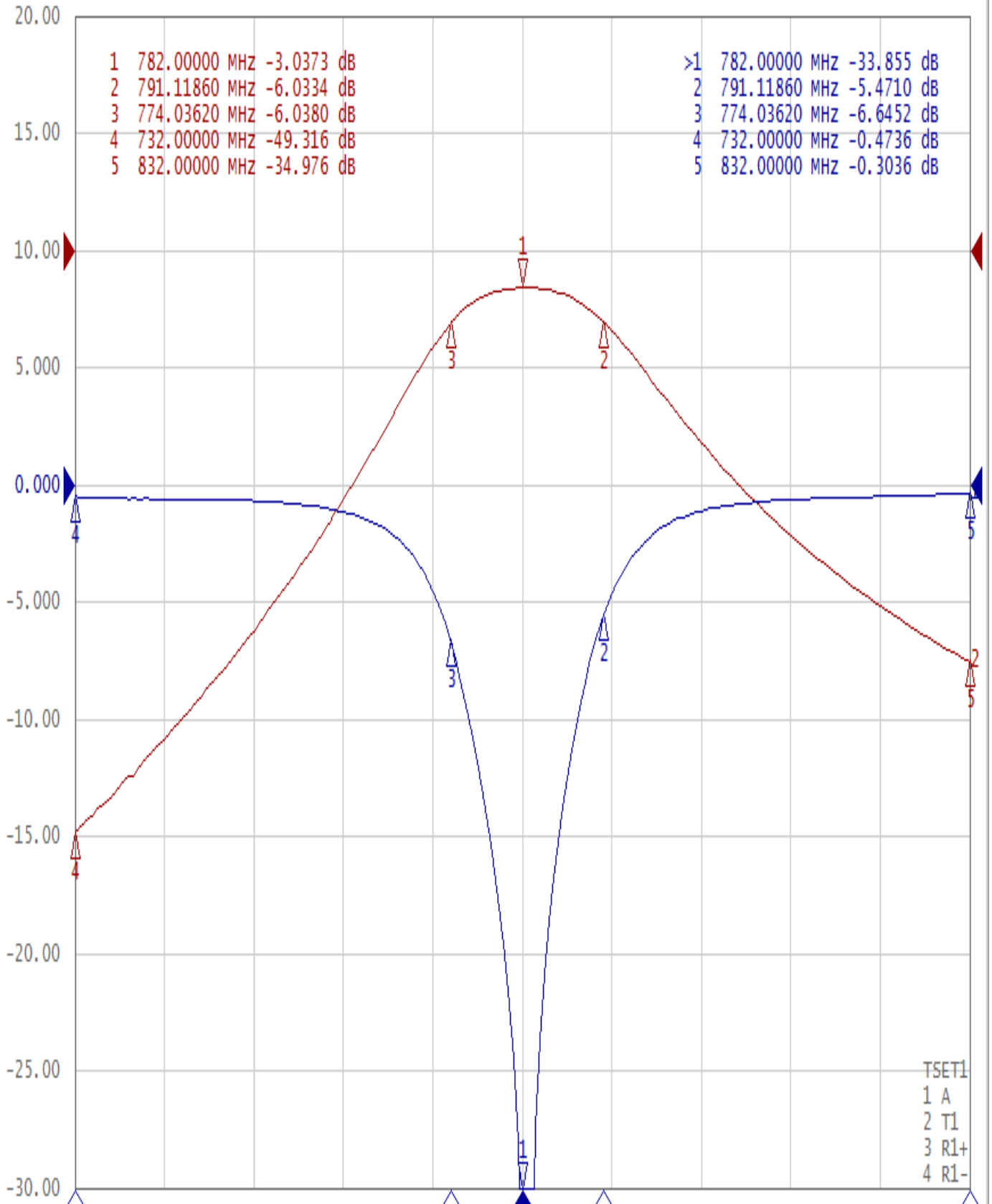
Approval	Supervisor	Designer	Aperture size
C.Y.Chang	C.K.Chang	C.S.Chang	7H3S(4*5.35)(5.38) 7H046RB4

TEMWELL CORPORATION

# Performance-TT63812B-782M

## 201810025CD

Tr1 511 Log Mag 5.000dB/ Ref 0.000dB [F2]  
Tr2 521 Log Mag 10.00dB/ Ref 0.000dB [F2]



1 Center 782 MHz

IFBW 70 kHz

Span 100 MHz Cor!