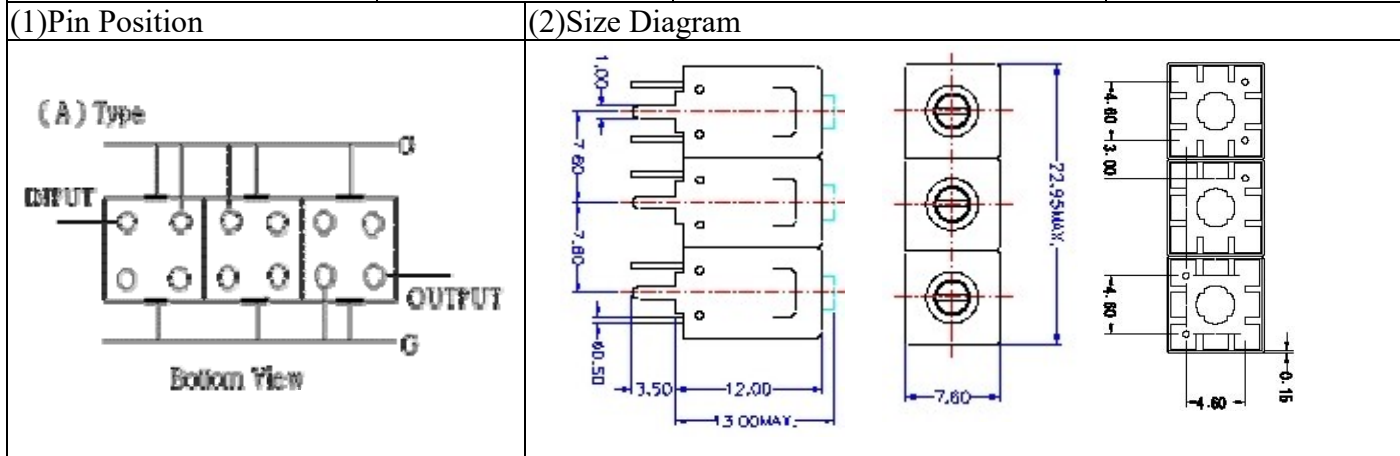


VHF UHF Helical Filter Specification Sheet

Customer Name		Temwell's Part No.	TT63818A-835M
Approval No. /dated	201810031CD	Temwell's print name	63818A 835M
Work Instruction No.	201810031CD	Date	Dec.04.2018



(3) Electric Characteristic

Item	Specify	Performance	
Center Freq.(Fo) +/- 0.5 %	835 MHz	835 MHz	
Insertion Loss	Typ. 5.0 dB	4.02 dB	
-3 dB Bandwidth	Typ. 10 MHz	14.0 MHz	
Sensitivity (Attenuation)	Fo - 50 MHz	Typ. 48 dBc	53 dBc
	Fo + 50 MHz	Typ. 36 dBc	41 dBc
	Fo - ()MHz	Typ. dBc	dBc
	Fo + ()MHz	Typ. dBc	dBc
Return Loss	Min. 12 dB	22.2 dB	
Ripple	< 1 dB	dB	
Impedance	In / Out : 50 Ω	In / Out : 50 Ω	

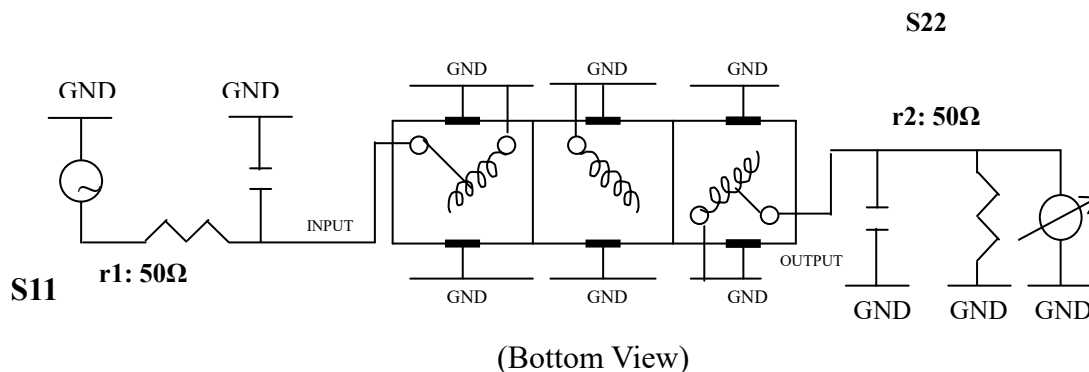
(4) Torque for Tuning Screw > 60gf • cm

(5) Temperature Condition:

Operating Temperature	0°C ~ +60°C
Storage Temperature	-20°C ~ +70°C

(6) Input Power > 1Watt

(7) Measuring Circuit: ※Easy to match Impedance S11/S22 50Ω by parallel with about(-).



Approval	Supervisor	Designer	Aperture size
C.Y.Chang	C.K.Chang	C.H.Yeh	7H3S(4*4.65)(4.70) 7H046LB4.3 聚 3

TEMWELL CORPORATION

TEMWELL Form10-7H3A Vision D RP (C.H.Y)

