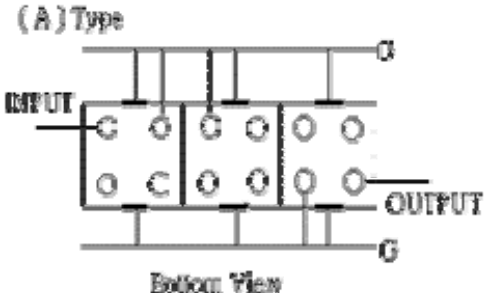
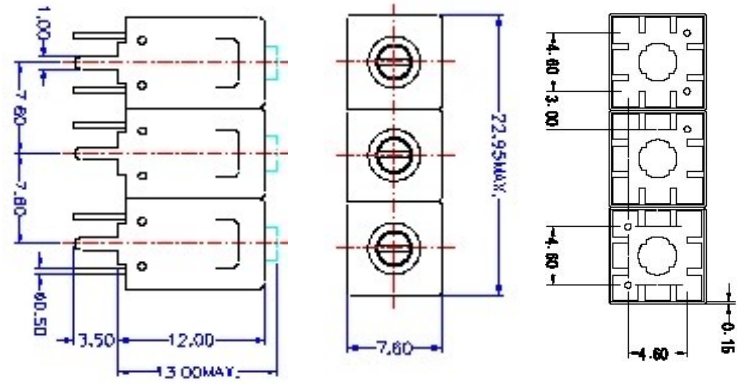


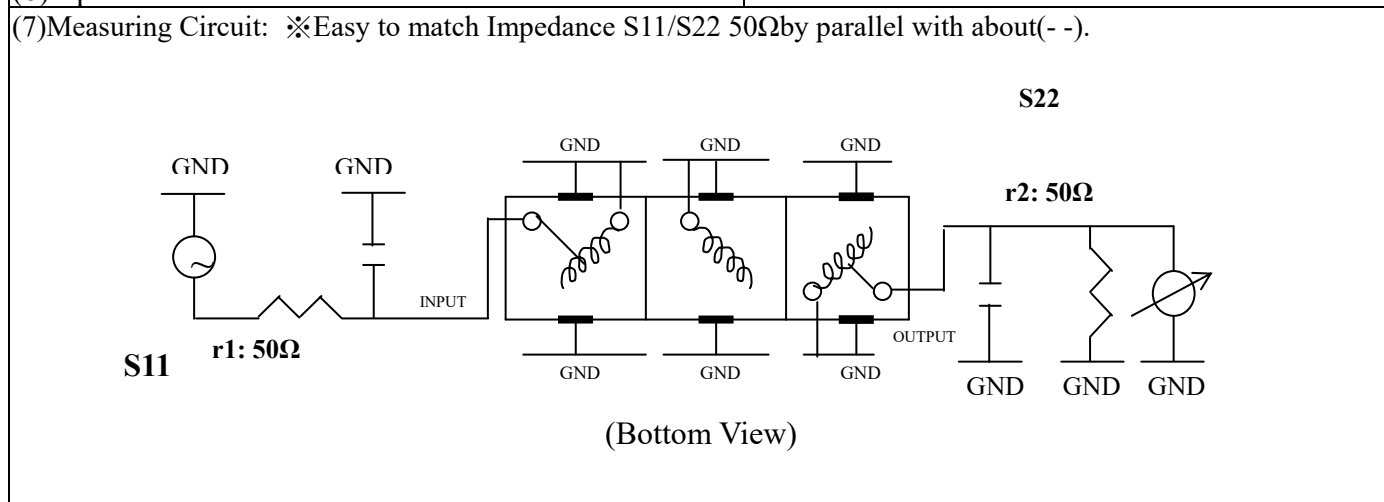
# VHF UHF Helical Filter Specification Sheet

Customer Name		Temwell's Part No.	TT63820A-1455.4M
Approval No. /dated	201810043CD	Temwell's print name	63820A 1455.4
Work Instruction No.	201810043CD	Date	Nov.21.2018

(1)Pin Position	(2)Size Diagram
	

(3)Electric Charasteric			
Item		Specify	Performance
Center Freq.(Fo ) +/- 0.5 %		1455.4 MHz	1455.4 MHz
Insertion Loss		Typ. 3.5 dB	2.63 dB
-3 dB Bandwidth		Typ. 35 MHz	40.8 MHz
Sensitivity (Attenuation)	Fo - 50 MHz	Typ. 21 dB	29 dB
	Fo + 50 MHz	Typ. 15 dB	21 dB
	Fo - ( )MHz	Typ. dB	dB
	Fo + ( )MHz	Typ. dB	dB
Return Loss		Min. 12 dB	16.4 dB
Ripple		< 1 dB	dB
Impedance		In / Out : 50 Ω	In / Out : 50 Ω
(4)Torque for Tuning Screw		> 60gf • cm	

(5)Temperature Condition:	
Operating Temperature	0°C ~ +60°C
Storage Temperature	-20°C ~ +70°C
(6)Input Power	> 1Watt



Approval	Supervisor	Designer	Aperture size
C.Y.Chang	C.K.Chang	P.H.Chiang	7H3S(4*6.5)(6.55) 7H046LB4.5 聚 2

# Performance-TT63820A-1455.4M

## 201810043CD

