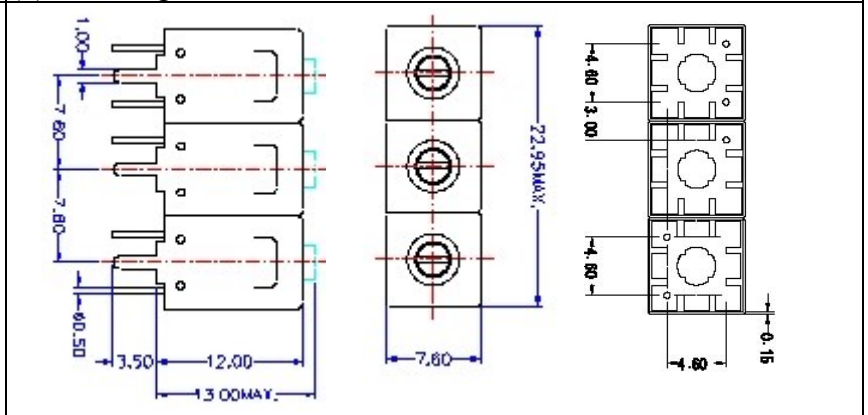
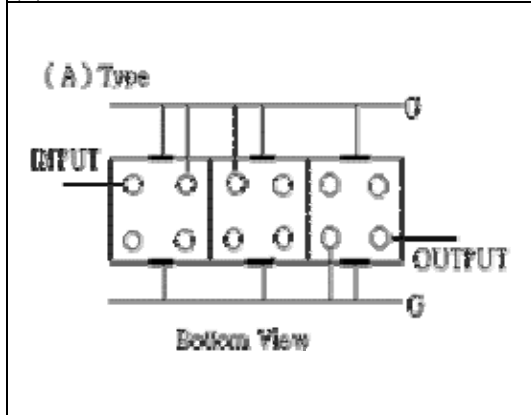


VHF UHF Helical Filter Specification Sheet

Customer Name		Temwell's Part No.	TT63822A-395M
Approval No. /dated	201811007CD	Temwell's Print name	63822A 395M
Work Instruction No.	201811007CD	Date	Dec.25.2018

(1) Pin Position

(2) Size Diagram



(3) Electric Characteristic

Item	Specify	Performance	
Center Freq.(Fo) +/- 0.5 %	395. MHz	395 MHz	
Insertion Loss	Typ. 4.0 dB	2.80 dB	
-3 dB Bandwidth	Typ. 10 MHz	12.5 MHz	
Sensitivity (Attenuation)	Fo - 50 MHz	Typ. 54 dBc	64 dBc
	Fo +50 MHz	Typ. 39 dBc	44 dBc
	Fo - ()MHz	Typ. dBc	dBc
	Fo +()MHz	Typ. dBc	dBc
Return Loss	Min. 12 dB	20.6 dB	
Ripple	< 1 dB	dB	
Impedance	In / Out : 50 Ω	In / Out : 50 Ω	

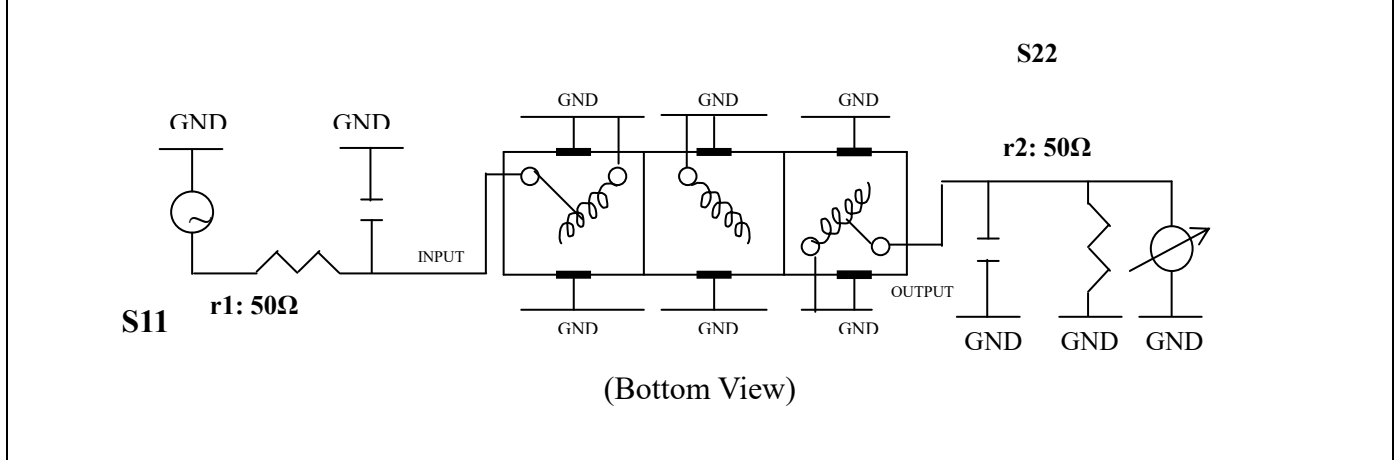
(4) Torque for Tuning Screw > 60gf · cm

(5) Temperature Condition:

Operating Temperature	0°C ~ +60°C
Storage Temperature	-20°C ~ +70°C

(6) Input Power > 1Watt

(7) Measuring Circuit: ※Easy to match Impedance S11/S22 50Ωby parallel with about(- -).

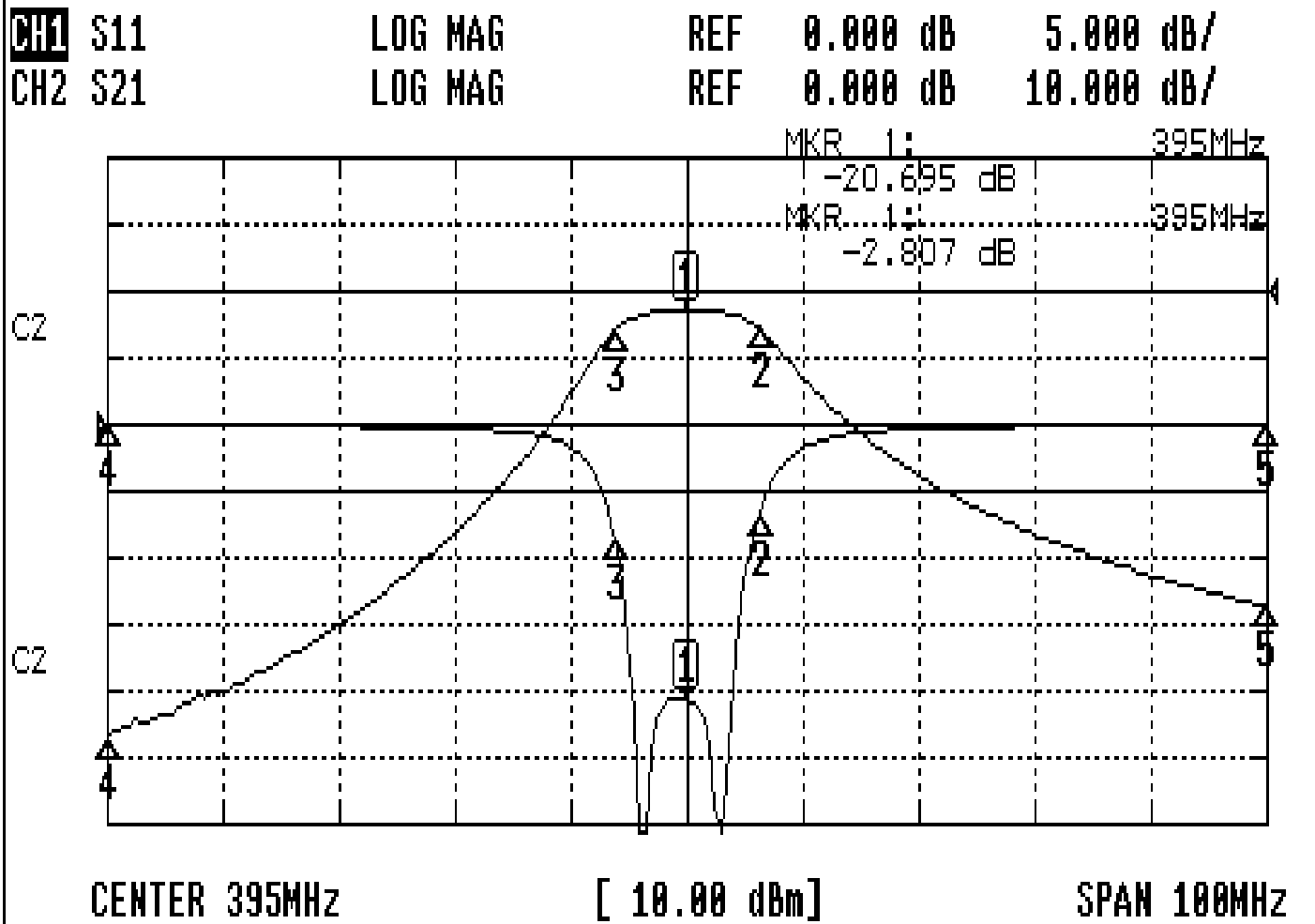


Approval C.Y.Chang	Supervisor C.K.Chang	Designer W.S.Chen	Aperture size 7H3S(4*5.5)(5.57) 7H046LB4.3 聚 3
-----------------------	-------------------------	----------------------	--

TEMWELL CORPORATION

Performance-TT63822A-395M

201811007CD



CH1 MARKER LIST

1:	395.000MHz	-20.695	dB
2:	401.333MHz	-1.194	dB
3:	388.888MHz	-1.678	dB
4:	345.000MHz	-0.071	dB
5:	445.000MHz	-0.050	dB

CH2 MARKER LIST

1:	395.000MHz	-2.800	dB
2:	401.333MHz	-1.891	dB
3:	388.888MHz	-1.859	dB
4:	345.000MHz	-67.145	dB
5:	445.000MHz	-47.311	dB