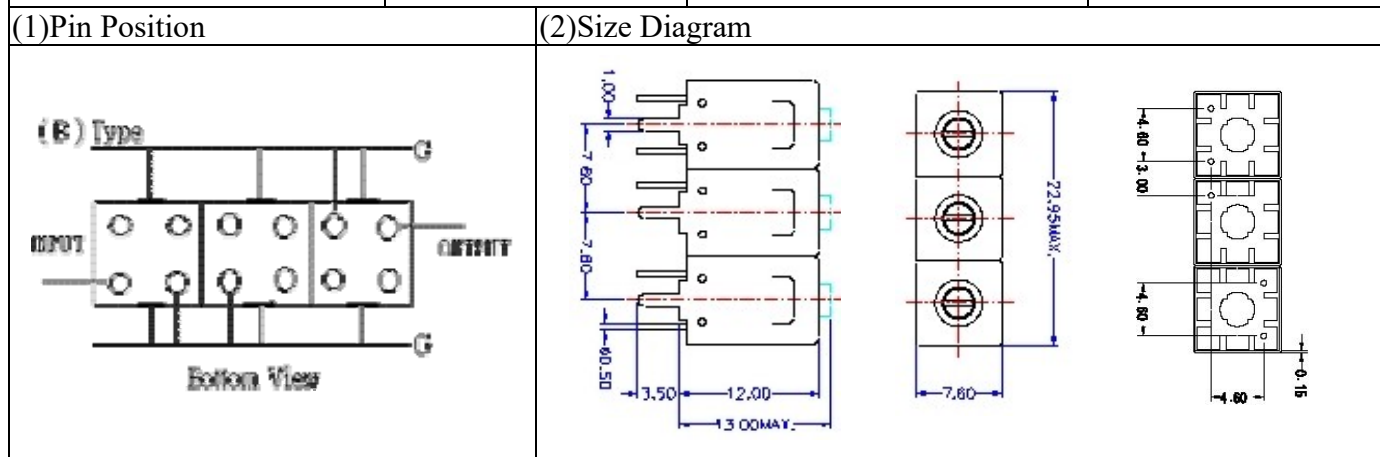


# VHF UHF Helical Filter Specification Sheet

Customer Name		Temwell's Part No.	TT63824B-425M
Approval No. /dated	201811009CD	Temwell's Print name	63824B 425M
Work Instruction No.	201811009CD	Date	Dec.03.2018



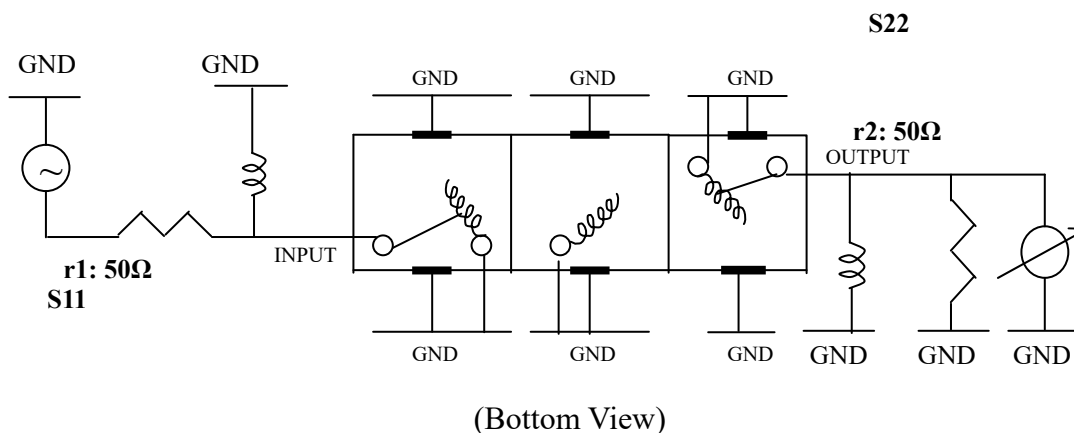
(3) Electric Characteristic		Item	Specify	Performance
Center Freq.(Fo) +/- 0.5 %			425 MHz	425 MHz
Insertion Loss		Typ.	4.0 dB	3.31 dB
-3 dB Bandwidth		Typ.	10 MHz	12.1 MHz
Sensitivity (Attenuation)	Fo - 50 MHz	Typ.	57 dBc	62 dBc
	Fo + 50 MHz	Typ.	40 dBc	45 dBc
	Fo - ( )MHz	Typ.	dBc	dBc
	Fo + ( )MHz	Typ.	dBc	dBc
Return Loss		Min.	12 dB	22.4 dB
Ripple			< 1 dB	dB
Impedance			In / Out : 50 Ω	In / Out : 50 Ω

(4) Torque for Tuning Screw > 60gf · cm

(5) Temperature Condition:	
Operating Temperature	0°C ~ +60°C
Storage Temperature	-20°C ~ +70°C

(6) Input Power > 1Watt

(7) Measuring Circuit: ※Easy to match Impedance S11/S22 50Ω by parallel with about( -- ).

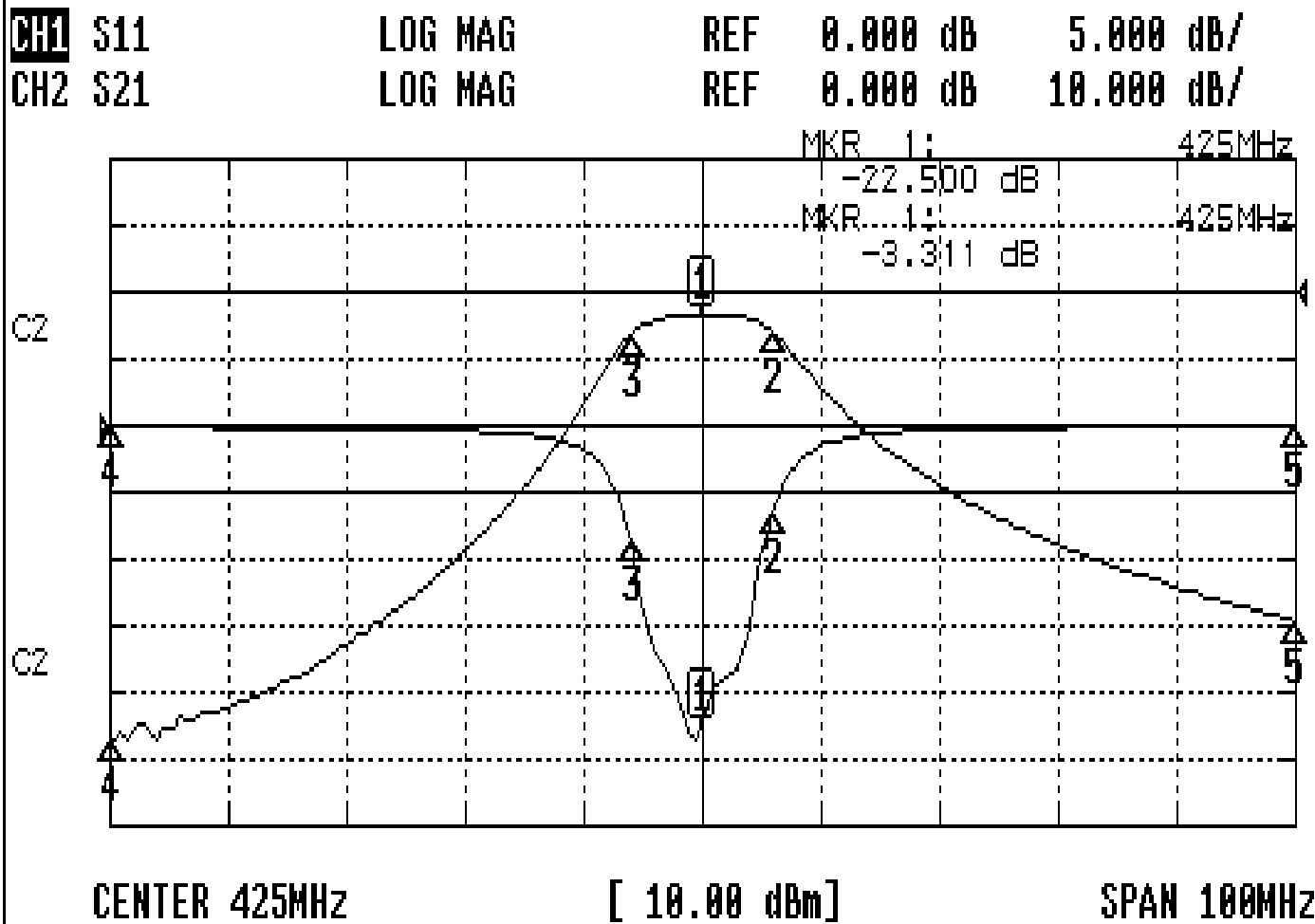


Approval	Supervisor	Designer	Aperture size
C.Y.Chang	C.K.Chang	C..H.Yeh	7H3S(4*5.6)(5.68) 7H046RB4

TEMWELL CORPORATION

# Performance-TT63824B-425M

## 201811009CD



### CH1 MARKER LIST

1:	425.000MHz	-22.469 dB
2:	431.120MHz	-6.242 dB
3:	418.970MHz	-8.494 dB
4:	375.000MHz	-0.118 dB
5:	475.000MHz	-0.073 dB

### CH2 MARKER LIST

1:	425.000MHz	-3.311 dB
2:	431.120MHz	-6.366 dB
3:	418.970MHz	-6.335 dB
4:	375.000MHz	-65.869 dB
5:	475.000MHz	-49.191 dB