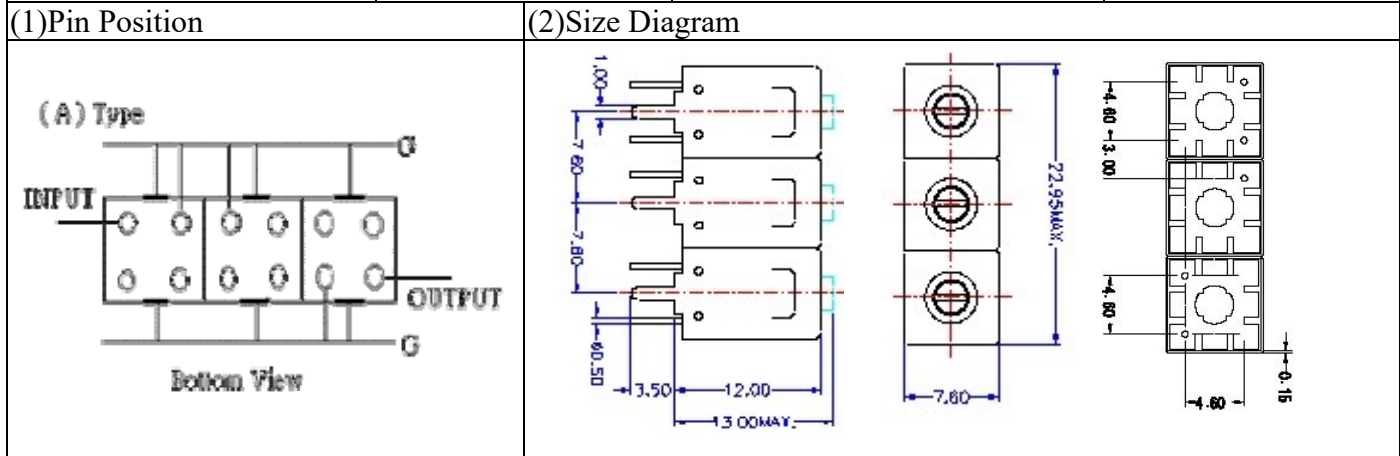


# VHF UHF Helical Filter Specification Sheet

Customer Name		Temwell's Part No.	TT63825A-446.5M
Approval No. /dated	201811010CD	Temwell's print name	63825A 446.5M
Work Instruction No.	201811010CD	Date	Dec.03.2018



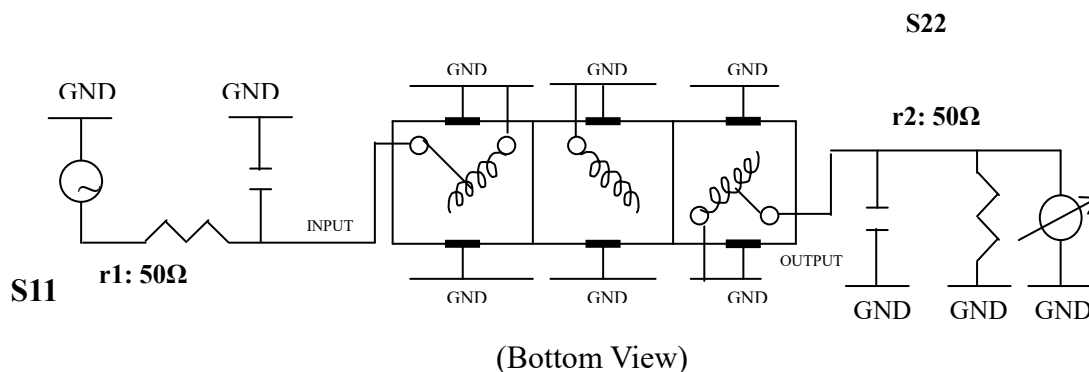
(3) Electric Characteristic					
Item		Specify		Performance	
Center Freq.(Fo) +/- 0.5 %		446.5 MHz		446.5 MHz	
Insertion Loss		Typ. 2.0 dB		0.53 dB	
-3 dB Bandwidth		Typ. 73 MHz		75.1 MHz	
Sensitivity (Attenuation)	Fo - 150 MHz	Typ. 40 dBc		45 dBc	
	Fo + 150 MHz	Typ. 21 dBc		26 dBc	
	Fo - ( )MHz	Typ. dBc		dBc	
	Fo + ( )MHz	Typ. dBc		dBc	
Return Loss		Min. 12 dB		22.2 dB	
Ripple		< 1 dB		dB	
Impedance		In / Out : 50 Ω		In / Out : 50 Ω	

(4) Torque for Tuning Screw > 60gf • cm

(5) Temperature Condition:	
Operating Temperature	0°C ~ +60°C
Storage Temperature	-20°C ~ +70°C

(6) Input Power > 1 Watt

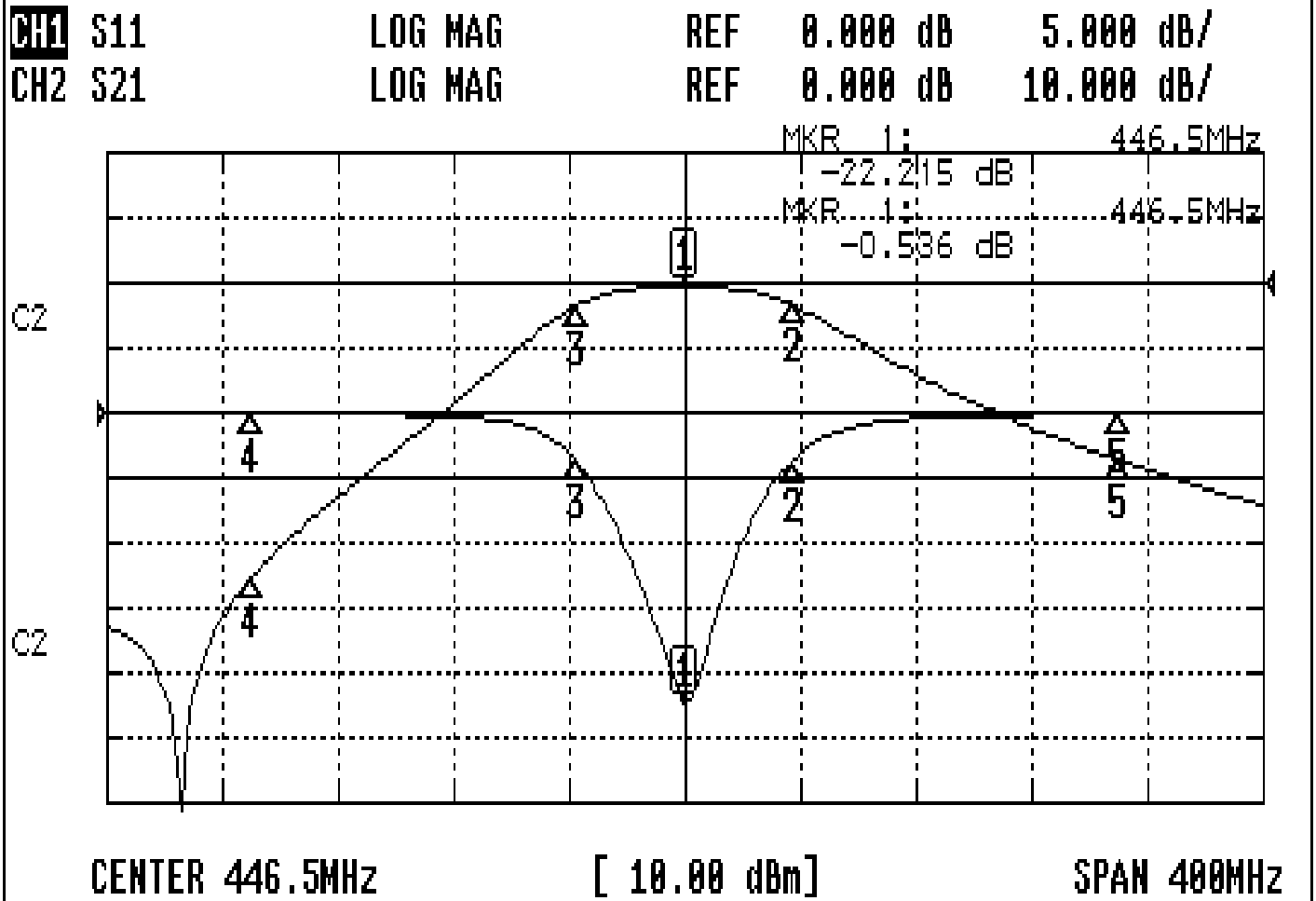
(7) Measuring Circuit: ※Easy to match Impedance S11/S22 50Ω by parallel with about(- -).



Approval	Supervisor	Designer	Aperture size
C.Y.Chang	C.K.Chang	C.H.Yeh	7H3S(4*6.35)(6.40) 7H046LB6.6

# Performance-TT63825A-446.5M

## 201811010CD



### CH1 MARKER LIST

1:	446.500MHz	-22.215	dB
2:	484.300MHz	-3.556	dB
3:	409.150MHz	-3.742	dB
4:	296.500MHz	-0.018	dB
5:	596.500MHz	-0.057	dB

### CH2 MARKER LIST

1:	446.500MHz	-0.536	dB
2:	484.300MHz	-3.526	dB
3:	409.150MHz	-3.510	dB
4:	296.500MHz	-45.505	dB
5:	596.500MHz	-27.282	dB