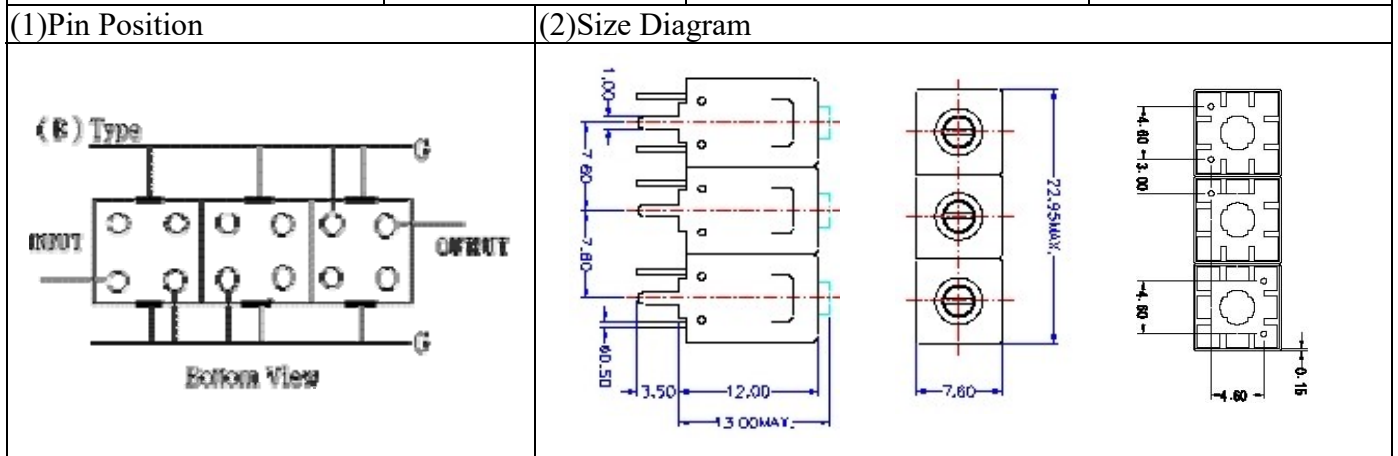


# VHF UHF Helical Filter Specification Sheet

Customer Name		Temwell's Part No.	TT63826B-452.5M
Approval No. /dated	201811011CD	Temwell's Print name.	63826B 452.5M
Work Instruction No.	201311011CD	Date	Dec.04.2018



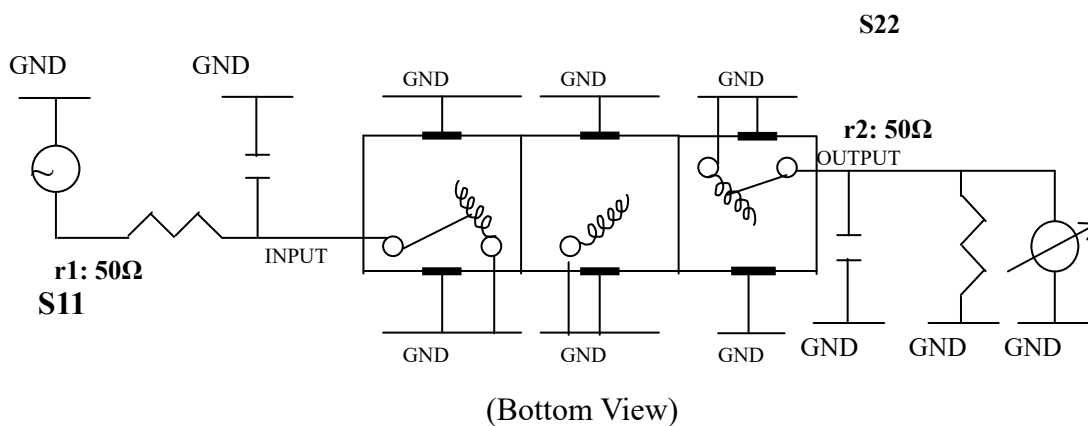
(3) Electric Chararctic		Specify	Performance
Item			
Center Freq.(Fo) +/- 0.5 %		452.5 MHz	452.5 MHz
Insertion Loss		Typ. 6.5 dB	5.45 dB
-3 dB Bandwidth		Typ. 5 MHz	7.1 MHz
Sensitivity (Attenuation)	Fo - 50 MHz	Typ. 54 dBc	59 dBc
	Fo + 50 MHz	Typ. 49 dBc	53 dBc
	Fo - ( ) MHz	Typ dBc	dBc
	Fo + ( ) MHz	Typ dBc	dBc
Return Loss		Min. 12 dB	24.0 dB
Ripple		< 1 dB	dB
Impedance		In / Out : 50 Ω	In / Out : 50 Ω

(4) Torque for Tuning Screw > 60gf · cm

(5) Temperature Condition:	
Operating Temperature	0°C ~ +60°C
Storage Temperature	-20°C ~ +70°C

(6) Input Power > 1 Watt

(7) Measuring Circuit: ※Easy to match Impedance S11/S22 50Ω by parallel with about (-).



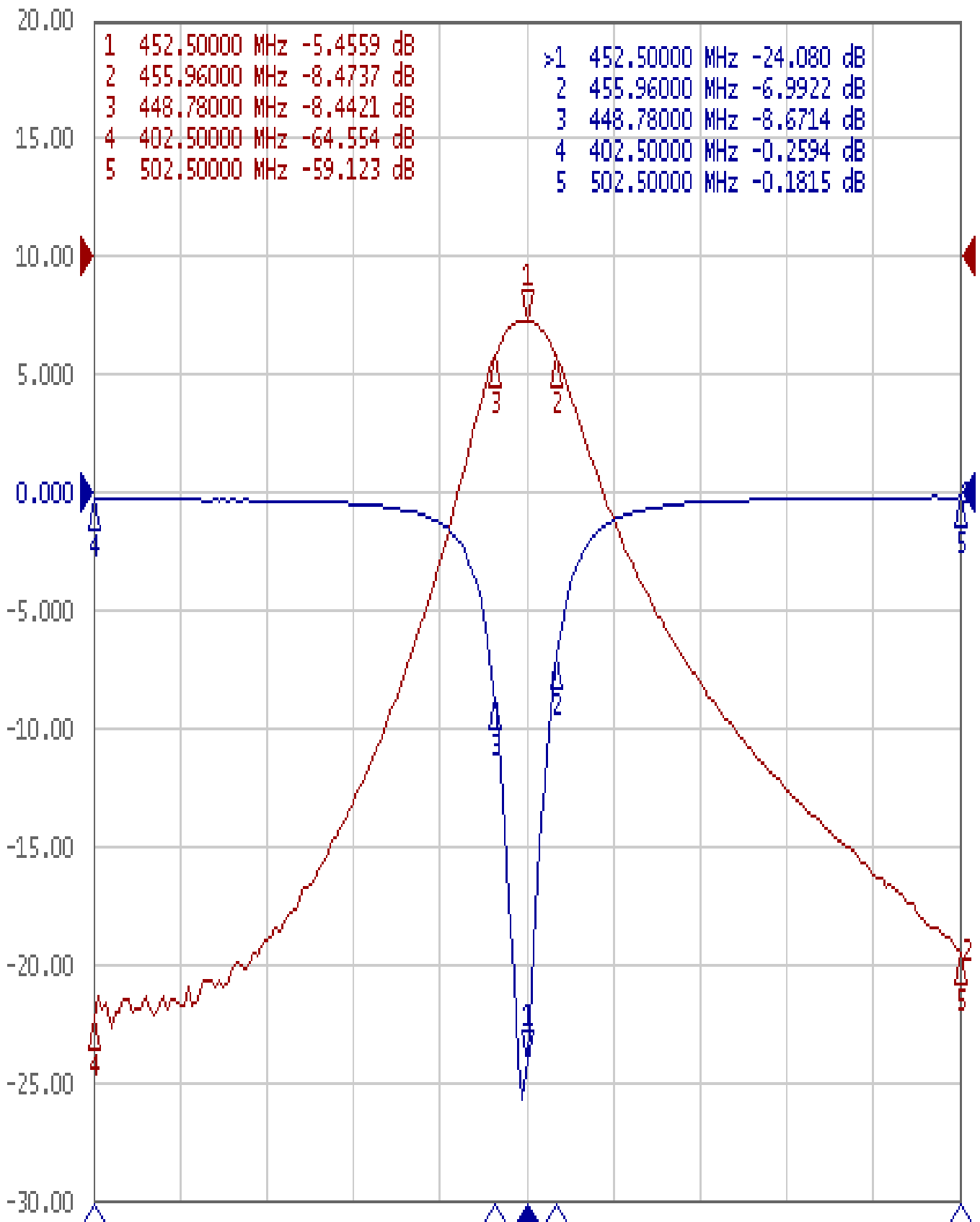
Approval	Supervisor	Designer	Aperture size
C.Y.Chang	C.S.Chang	W.W.Wang	7H3S(4*4.65)(4.68) 7H046RB4.3 聚 3

TEMWELL CORPORATION

# Performance-TT63826B-452.5M

## 201811011CD

Tr1 S11 Log Mag 5.000dB/ Ref 0.000dB [F2]  
Tr2 S21 Log Mag 10.00dB/ Ref 0.000dB [F2]



1 Center 452.5 MHz

IFBW 70 kHz

Span 100 MHz Cor !